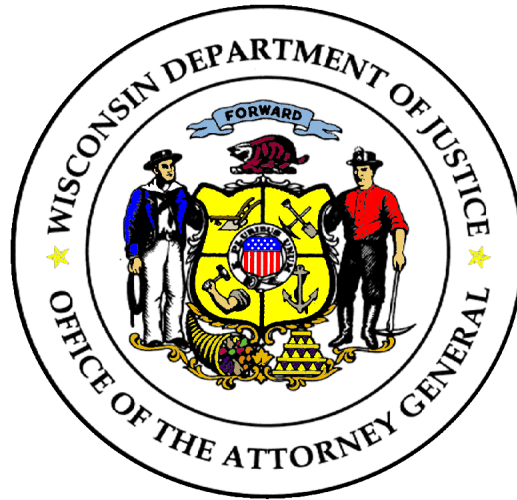


# Firearms

## A Training Guide For Law Enforcement Officers



**Wisconsin Department of Justice  
Law Enforcement Standards Board**

**June 2017**

The Law Enforcement Standards Board approved this textbook on June 6, 2017.

**Training Academy effective date is January 1, 2018.**

All law enforcement basic preparatory training courses that begin on or after January 1<sup>st</sup>, 2018, must incorporate this updated textbook and any related updates to the curriculum. Academies beginning before that date may elect to use these updated materials.

**Copyright © 2017 by the Department of Justice. All rights reserved.**

# ACKNOWLEDGEMENTS

Many people contributed to the writing of this manual. The Wisconsin Department of Justice Training and Standards Bureau gratefully acknowledges the hard work and dedication of the Tactical Skills Advisory Committee, which suggested and reviewed content for the present guide. The current members of the Committee are:

## Designated Representatives and Practitioners:

Glenn Rehberg, Training & Standards Bureau, Chair  
Stephanie Pederson, Training & Standards Bureau  
Bradley Hardel, Sheriff's Representative  
Russell Jack, Chief's Representative  
Andrew Kleppe, Wisconsin Technical College System  
Kris Perales, Wisconsin State Patrol  
Justin Sebestyen/James MacGillis/Al Groszczyk/Aimee Obregon,  
Milwaukee PD  
Dennis Konkel/Sarah Wronski, Milwaukee County Sheriff's Office  
Kimba Tieu/Chris Masterson, Madison Police Department  
Dennis Angle, Waukesha Police Department  
Mark Bauman, Eau Claire County Sheriff's Office  
Steve Harlow, Milwaukee Area Technical College  
Mike Jaszczak, Superior Police Department  
Lisa Wilson, Division of Criminal Investigation  
Raymond Merlin, Kenosha County Sheriff's Office  
Benjamin Poller, Division of Criminal Investigation / Madison College  
Mike Kuspa/Bill Skurzewski, Waukesha County Technical College

## Emeritus (non-voting) Members:

Bob Willis	Darrel Bauman
Randy Revling	Bob DeFrang
Kelly Rehwoldt	Mike Valencia

## The following people served on the Rifle subcommittee:

Mark Crider, FBI; Travis Hilliard, SPPD; Mike Jaszczak, SPD; Bob DeFrang, WSP; Kelly Rehwoldt, DCSO; Joseph M. Seitz/Allen Groszczyk, MPD; Mike Steffes, RPD; Brian Buckmaster, LCSO; Kipp Hartman, MAPD; Tom Hamm, KPD; Glenn Rehberg, T&S.

Thanks to John Czerwinski (Walworth County Sheriff's Office). Special thanks to Minh Duc "Kimba" Tieu (Madison Police Department) and Aaron Matson (Wisconsin Crime Laboratory) for modeling and photography.

# TABLE OF CONTENTS

<b>ACKNOWLEDGEMENTS</b> .....	<b>III</b>
<b>TABLE OF CONTENTS</b> .....	<b>IV</b>
<b>LIST OF FIGURES</b> .....	<b>IX</b>
<b>INTRODUCTION</b> .....	<b>1</b>
<b>PHASE ONE - FUNDAMENTALS OF FIREARMS</b> .....	<b>3</b>
COMPETENCIES AND LEARNING OBJECTIVES .....	3
SAFETY .....	4
Four Fundamental Rules of Firearm Safety .....	4
Range Safety .....	5
Safe Storage of Weapons .....	6
PSYCHOMOTOR SKILL DEVELOPMENT .....	7
Muscle Memory .....	7
The Body's Response to Stress .....	8
Controlling Yourself and Others Under Stress .....	9
BALLISTICS .....	10
Internal Ballistics .....	10
External Ballistics .....	10
Terminal Ballistics .....	11
<b>THE SEMI-AUTOMATIC PISTOL</b> .....	<b>13</b>
WHY GUNS FIRE .....	13
Ammunition .....	13
Weapon Design .....	15
SEMI-AUTO PISTOL TYPES .....	16
Hammer Types .....	16
Hammerless Types .....	16
THE FIRING CYCLE .....	16
Fire .....	17
Extract .....	17
Eject .....	17
Feed .....	17
MAINTAINING YOUR WEAPON .....	17
Function Check .....	18
Cleaning Your Weapon .....	18
Care of Magazines .....	20
Armorer's Inspection .....	20
EQUIPMENT .....	20
Inclement Weather Uniform Precautions .....	21
<b>BASIC SHOOTING SKILLS</b> .....	<b>23</b>
SHOOTING FUNDAMENTALS .....	23
Stance .....	23
Grip .....	24
Sight Alignment .....	26
Sight Picture .....	26
Trigger Control .....	27
THE DRAW STROKE .....	28

Drawing Your Weapon.....	28
Recovering the Weapon to the Holster .....	31
READY POSITIONS .....	32
Tactical Ready .....	32
Low Ready.....	33
ADMINISTRATIVE LOADING AND UNLOADING .....	33
Administrative Loading .....	34
Administrative Unloading .....	34
RELOADING.....	35
Out-Of-Battery Reload .....	35
In-Battery Reload.....	36
<b>MALFUNCTIONS .....</b>	<b>39</b>
TYPES OF MALFUNCTIONS.....	39
Failure to Fire.....	39
Failure to Extract.....	39
Failure to Eject.....	39
Failure to Feed.....	39
CAUSES OF MALFUNCTIONS.....	40
Shooter-Induced Malfunctions .....	40
Other Causes of Malfunctions.....	41
CLEARING MALFUNCTIONS .....	41
Phase 1 Malfunction Clear.....	41
Phase 2 Malfunction Clear.....	42
<b>PHASE TWO - FIREARMS AND DEADLY FORCE DECISION-MAKING .....</b>	<b>43</b>
COMPETENCIES AND LEARNING OBJECTIVES .....	43
BASIC CONCEPTS SURROUNDING USE OF FORCE .....	45
INCIDENT RESPONSE .....	46
Disturbance Resolution.....	47
DISTURBANCE RESOLUTION MODEL .....	48
DEADLY FORCE .....	49
Use of Deadly Force .....	49
DEADLY FORCE DECISION-MAKING .....	50
When Is Deadly Force Reasonable? .....	50
Defense of Self or Others .....	50
Preclusion .....	52
Target Requirements .....	52
Defense of Society at Large.....	53
<b>USE OF COVER.....</b>	<b>55</b>
WHAT IS COVER? .....	55
Definition of Cover .....	55
Cover vs. Concealment .....	55
HOW TO USE COVER .....	56
Conform to Cover .....	56
Use Your Weapon as Your "Third Eye" .....	57
Leave Cover Only to Gain a Tactical Advantage .....	57
SHOOTING FROM BEHIND COVER.....	57
Slicing the Pie.....	57
Repositioning .....	58

Shooting .....	59
<b>POSITION AND MOVEMENT .....</b>	<b>61</b>
SHOOTING POSITIONS .....	61
Kneeling Positions .....	61
Rollover Prone .....	63
SHOOTING WHILE MOVING .....	64
The Roll Step .....	65
Moving Laterally.....	66
<b>SPECIAL CIRCUMSTANCES .....</b>	<b>67</b>
INNOCENT BYSTANDERS .....	67
MULTIPLE ADVERSARIES .....	68
Start Moving Immediately .....	68
Stop the Primary Threat First.....	69
Stop Remaining Threats One at a Time .....	69
CLOSE COMBAT .....	70
Reactionary Gap.....	70
Options for Close Combat .....	70
Shooting in Close Combat .....	71
UNSUPPORTED SHOOTING .....	73
Drawing with the Reaction Hand.....	74
Reloading.....	74
Clearing Malfunctions .....	75
SHOOTING WHILE SEATED .....	75
Drawing While Seated .....	76
Shooting From a Vehicle .....	76
Using a Vehicle as Cover .....	77
SHOOTING IN LOW LIGHT OR DARKNESS .....	77
Guidelines for Using Your Flashlight.....	78
Flashlight-Assisted Shooting Techniques .....	80
ACTIONS AFTER COMBAT SHOOTING.....	82
Communicate With the Suspect and Dispatch.....	83
Plan Your Approach to the Subject.....	83
Approach the Subject and Begin Follow-Through.....	84
Reporting Deadly Force .....	85
<b>THE SEMI-AUTOMATIC RIFLE .....</b>	<b>87</b>
DEPLOYMENT CONSIDERATIONS .....	87
When to Deploy a Rifle .....	87
Rifles are a System.....	88
Selector Use .....	89
States of Readiness.....	89
RIFLE BALLISTICS AND ZEROING.....	90
Internal Ballistics.....	90
External Ballistics.....	91
Ammunition and Terminal Ballistics .....	93
CLEANING, LUBRICATION, AND INSPECTION .....	94
Parts of a Rifle .....	95
Field Stripping.....	95
Cleaning .....	97

Inspection and Lubrication .....	98
Reassembly .....	98
Function Check.....	99
<b>RIFLE OPERATION .....</b>	<b>101</b>
READY POSITIONS .....	101
Tactical Ready Position .....	101
Depressed Muzzle .....	102
Port Arms.....	103
SHOOTING FUNDAMENTALS.....	103
Stance .....	103
Grip.....	104
Sight Alignment.....	104
Sight Picture .....	105
Trigger Control.....	106
LOADING, RELOADING AND MALFUNCTIONS .....	107
Master Grip.....	107
Loading Magazines.....	107
States of Readiness Loading Procedures.....	108
Out-of-Battery Reloads .....	109
In-Battery Reloads .....	109
Malfunctions.....	110
Sling Use and Rifle Transitions.....	111
SHOOTING AND COVER .....	111
<b>UNLOADING WEAPONS OTHER THAN ONE’S OWN .....</b>	<b>113</b>
Making Weapons Safe.....	113
SAFETIES AND SAFETY RULES .....	113
BASIC FIREARM TYPES .....	114
Handguns .....	114
Rifles.....	117
Shotguns .....	117
Muzzle-loaders .....	118
<b>APPENDIX A: M16 CYCLE OF OPERATION.....</b>	<b>119</b>
<b>APPENDIX B: SHOTGUNS .....</b>	<b>127</b>
SAFETIES .....	127
NOMENCLATURE.....	128
Loading, Reloading, and Unloading.....	128
Malfunctions.....	129
<b>APPENDIX C: REVOLVERS.....</b>	<b>131</b>
HOW A REVOLVER WORKS.....	131
CLEANING A REVOLVER.....	131
UNLOADING AND LOADING A REVOLVER .....	132
Unloading.....	132
Reloading.....	132
Ammunition Carry .....	133
<b>APPENDIX D: BASIC CASE LAW.....</b>	<b>135</b>
TERRY V. OHIO .....	136
GRAHAM V. CONNOR.....	147
TENNESSEE V. GARNER .....	154

<b>APPENDIX E: USE OF FORCE REPORT GUIDE .....</b>	<b>163</b>
<b>APPENDIX F: GLOSSARY .....</b>	<b>173</b>
<b>END NOTES.....</b>	<b>194</b>



# LIST OF FIGURES

Figure 1: Diagram of a Cartridge.....	14
Figure 2: Semi-Automatic Pistol.....	15
Figure 3: Tactical Stance .....	24
Figure 4: Grip.....	25
Figure 5: Sight Alignment.....	26
Figure 6: Step 1 – Grip and Unsnap .....	29
Figure 7: Step 2 – Draw and Turn.....	29
Figure 8: Step 3 – Meet Reaction Hand.....	30
Figure 9: Step 4 – Extended Position.....	31
Figure 10: Low Ready.....	33
Figure 11: Tactical Ready .....	33
Figure 12: Firing Position .....	33
Figure 13: Gripping the Magazine.....	36
Figure 14: Double Kneel .....	62
Figure 15: High Kneel .....	62
Figure 16: Low Kneel.....	63
Figure 17: Rollover Prone .....	64
Figure 18: Roll Step .....	65
Figure 19: Position Sul.....	67
Figure 20: Shooting in Close Combat .....	72
Figure 21: Unsupported Shooting .....	73
Figure 22: Backlit Officer.....	79
Figure 23: Public Safety Statement.....	86
Figure 24: Comparison of Rifle and Handgun Lengths .....	88
Figure 25: Bullet Setback in Case.....	91
Figure 26: Comparison of Common and Uncommon Zero Trajectories.....	92
Figure 27: 50-yard Zero Example .....	92
Figure 28: Parts of the Rifle .....	95
Figure 29: Front and Rear Takedown Pins .....	96
Figure 30: Removing Bolt Carrier Assembly .....	96
Figure 31: Field-Stripped Bolt Carrier Assembly and Bolt.....	97
Figure 32: Tactical Ready .....	101
Figure 33: Depressed Muzzle .....	102
Figure 34: Port Arms.....	103
Figure 35: Sight Alignment Using Aperture Sight.....	105
Figure 36: Breath Control.....	106
Figure 37: Line of Sight and Line of Bore.....	112
Figure 38: Right-Handed Officer Shooting Around Cover Without Switching Shoulders.....	112
Figure 39: Revolver Parts; Loaded and Unloaded Revolver .....	115
Figure 40: Feeding.....	119
Figure 41: Chambering .....	120
Figure 42: Locking .....	121
Figure 43: Firing.....	122
Figure 44: Unlocking.....	123

Figure 45: Extracting.....	124
Figure 46: Ejecting.....	125
Figure 47: Cocking.....	126
Figure 48: Shotgun Nomenclature .....	128

# INTRODUCTION

As you have learned, the goal of Wisconsin law enforcement officers is always to gain willing cooperation from people. Because that is not always possible, law enforcement officers are authorized to use force in certain circumstances. In the most extreme situations, they may even need to use deadly force to protect themselves or others. No officer wishes to be put in the position of having to use deadly force, but all officers must be ready to do so if the situation warrants it. Part of being ready is being skilled in the use of firearms, especially your primary duty weapon. For most officers, this is the handgun, either semi-automatic pistol or revolver.

In Firearms, you will learn how your weapon functions, how to use it safely, and how to maintain it. As with DAAT, shooting is a psychomotor skill, so much of your time in Firearms will be devoted to hands-on practice of shooting skills. Shooting is a *critical skill*, meaning that when it is called for, you must be able to perform it well. Although under Wisconsin's conceptual model for use of force, officers always have the option to disengage or escalate, in a deadly-force situation, disengaging may not always be a practical alternative. You must be able to shoot accurately and quickly under pressure to save your own life or someone else's.

Although most officers never fire their weapons except in practice, every officer must be prepared to do so. Like any other physical skill, shooting proficiency is perishable—you must continue to practice it regularly throughout your career to maintain the skill. In Firearms you will gain a basic level of competence; it is up to you to build on that through further practice and training.

This Firearms course is split into two portions. In Phase One you will learn basic firearm concepts, operation, and techniques. In Phase Two you will learn additional skills, and learn to apply all your skills in a tactical environment.

THIS PAGE INTENTIONALLY LEFT BLANK

# PHASE ONE - FUNDAMENTALS OF FIREARMS

## COMPETENCIES AND LEARNING OBJECTIVES

- 1. Exhibit good weapon-handling skills.**
  - 1.1 Comply with general firearms safety rules.
  - 1.2 Comply with general range safety rules.
  - 1.3 Store firearms in a safe manner when not on duty.
  
- 2. Maintain the handgun and its associated equipment.**
  - 2.1 Identify and describe the role that ballistics play in the performance of the duty handgun.
  - 2.2 Identify nomenclature and functions of semi-automatic pistols and handgun ammunition.
  - 2.3 Field-strip, clean, lubricate, and function check the handgun.
  - 2.4 Maintain duty belt, holster and magazine pouches.
  
- 3. Fire the handgun proficiently.**
  - 3.1 Employ the correct techniques for drawing the handgun and for recovering the handgun to the holster.
  - 3.2 Identify and perform the “ready” positions that an officer may employ with a drawn handgun and the uses for these positions.
  - 3.3 Load, reload, and unload the handgun.
  - 3.4 Demonstrate proficiency in basic shooting fundamentals.
  - 3.5 Identify various types of handgun malfunctions and the causes of these malfunctions.
  - 3.6 Demonstrate clearing malfunctions.

## SAFETY

Every year officers and others are injured and killed by careless handling of firearms. With modern duty weapons, barring mechanical failure, there are no “accidental” discharges. Unintended or unwanted discharges occur because the user did not follow basic safety procedures or disregarded fundamental safety rules. Do not let familiarity with your weapon make you complacent. If you follow the safety rules every time you handle a weapon you will never have an unintended discharge.

### Four Fundamental Rules of Firearm Safety

The following rules apply to every type of firearm:

1. Assume all guns are loaded.
2. Never let the muzzle cross anything you are not willing to destroy.
3. Keep your finger off the trigger and outside the trigger guard until you are firing.
4. Know your target and what’s beyond it.

Because these are so fundamental, we will look at them in some detail.

1. ***Assume all guns are loaded.*** If you follow this rule—even if you believe a weapon is empty—you will be building good weapon-handling habits. You will keep the weapon pointed in a safe direction, keep your finger off the trigger, and so on. If you handle all guns the same way every time—loaded and unloaded—you will be less likely to make a mistake with a loaded gun. Even if you know the weapon is empty, treat it as a loaded gun. It does no harm, and it may save a life. More than one officer has removed the magazine containing ammunition from a pistol and forgotten that there may be one more round of ammunition in the chamber of the gun.
2. ***Never let the muzzle cross anything you are not willing to destroy.*** This rule accomplishes two things: it builds good habits and prevents injury if you do have an unintended discharge. Imagine a laser beam coming out of the barrel of your weapon: never let that laser touch anything—even for a moment—that you aren’t willing to shoot. If you follow this rule faithfully, you will build a strong habit that will function even when you are under great stress and unable to think things through. As you will learn, stress causes blood and oxygen to move away from the cognitive part of your brain—it literally becomes difficult or impossible to think. Your ingrained habit of never “lasering” anyone you don’t intend to shoot may keep you from killing your partner in a gun battle.
3. ***Keep your finger off the trigger and outside the trigger guard until you are firing.*** This rule prevents you from unintentionally firing because you were startled or had a sympathetic reaction. Suppose you are covering an

open door of a warehouse while fellow officers clear the interior looking for a burglar. A sudden noise or someone bursting out the door may startle you and cause an involuntary tensing of your muscles. If you have your finger on the trigger, that tensing may be enough to fire the weapon. Similarly, if you use your reaction hand to turn on a flashlight or key your radio microphone, you may have a sympathetic involuntary movement of your gun hand. If your finger is on the trigger, it could cause you to fire. Keep your index finger extended along the frame of the weapon until you fire. It takes very little time to move it to the trigger.

4. **Know your target and what's beyond it.** This rule addresses two issues: bullet penetration and tunnel vision. As discussed earlier, bullets may travel right through a target and strike something behind it. Even bullets that are designed to expand upon impact, lessening the chance of over-penetration, may fail to expand for various reasons. You cannot be sure that your bullet will be stopped by the target. Additionally, you may miss, especially under stress. Stress will often have the effect of narrowing your visual field as you concentrate on the threat. Making a habit of checking what is around and beyond your target may keep you from shooting something that, because of stress, you literally did not see.

## Range Safety

Law enforcement officers must practice shooting frequently to remain proficient. Normally you will do most of your shooting at a range. Because a range is typically used by many officers at once, safety requires that you follow certain rules. The following range rules are general rules, applicable to any range. In addition, the particular range you use may have its own rules. Be sure to learn and follow all range rules. Here are some general rules:

1. **Obey all commands by the range officer.** At most ranges, the range officer or range master has the authority to issue orders to anyone on the range, regardless of rank. Always obey a range officer's commands as promptly as possible.
2. **Keep your weapon holstered at all times when not on the firing line.** At a range, the location from which you fire at a target is called the firing line. Sometimes it is an actual painted line, and sometimes it is simply a position in space. Other shooters may share the line with you. Many ranges run "hot," meaning that officers may have their weapons loaded even when they are not on the firing line. Obviously, it would not be safe to have people drawing loaded weapons except when they are on the firing line ready to fire. The best way to ensure that does not happen is to make sure that the only time and place anyone is allowed to un-holster a weapon is on the firing line, when it is time to shoot.

3. **Draw your weapon only when directed to do so by a range officer.** Even if you are on the firing line, wait to draw your weapon until directed. Range officers or others may have to go down range (toward the targets) for some reason.
4. **Always keep your weapon pointed down range.** If you have a malfunction, or some other firing problem that you cannot solve by yourself, keep your weapon pointed down range and raise your hand. When a range officer arrives to help you, keep your weapon pointed down range, and explain the problem. Do not turn around to talk to the range officer, bringing your weapon along with you.
5. **Remain on the firing line, facing down range, unless directed otherwise by a range officer.** Never go forward of the firing line—even to retrieve a dropped magazine—unless directed by a range officer. You may not be aware of someone else on the line about to fire. The range officer will make sure the entire line is safe before allowing anyone to go forward.
6. **If a cease-fire is called, immediately cease shooting and remain at the low ready until further direction by a range officer.** Anyone may call a cease-fire, not just a range officer. When you hear the command, stop immediately and wait for direction.
7. **If you see any unsafe condition, call a cease-fire and notify a range officer.** Range safety depends on everyone, not just the range officers. If you see something unsafe—another person going down range without authorization, for example—don't assume the range officer also sees it. Call a cease-fire immediately.
8. **Always wear eye and ear protection.** Bullet fragments can sometimes “splash back” from metal targets, and spent brass casings are ejected from pistols with some force. Protect your eyes from injury with wrap-around safety glasses. Always wear ear protection (either sound-deadening earmuffs or earplugs). Even short-term exposure to the reports from gunfire—especially if the sound is contained within concrete range walls and baffles—can cause permanent hearing damage.
9. **Do not eat, drink, smoke, or apply cosmetics until you have washed your face and hands.** Most ammunition contains lead. Ingesting lead can have harmful effects, but lead contamination is easily avoided by thorough washing of face and hands with soap and water.

## Safe Storage of Weapons

Whether you store your weapon in your locker at work or at home, you must make sure that it is secure from unauthorized access and protected from damage. If there are children in your home, you must be particularly careful to



keep your weapon secure. Wisconsin law provides criminal penalties for leaving a firearm within reach or access of a child ([§948.55 Wis. Stats.](#)). In addition, your department policy and local ordinances may address storing weapons at home.

Opinions vary and circumstances differ: an officer living alone is clearly in a different situation than one with small children or teenagers in the home. However, even an officer living alone can have his or her home burglarized. Nevertheless, the same general guidelines apply to all situations:

- **Store firearms unloaded and locked up.** At the very least, use a trigger lock or cable lock to make the weapon inoperable. It's better to store the weapon in a locked cabinet; a safe is best of all. Keep the key on your person or in a safe place where children cannot get it.
- **Store ammunition locked up away from the weapon.** That way, even if an unauthorized person gains access to the weapon, it is not immediately usable.
- **Store your weapon uncased.** Casing or wrapping a weapon tends to trap moisture and can lead to rust. If you intend to store the weapon for more than a few days, wipe it down with a lightly oiled cloth. Be sure to wipe off excess oil—only a very thin coat is needed.
- **Educate responsible adults in your home.** Other responsible adults in your home should know where your weapon is kept, that it should always be treated as loaded (even if it is stored unloaded), and why it must be kept secure. Individual officers may or may not choose to give their family members more information. However, information about where firearms and ammunition are stored should not be shared with neighbors or other acquaintances.

## PSYCHOMOTOR SKILL DEVELOPMENT

Firing a weapon accurately is a psychomotor skill—that is, it involves both your mind and your body. Most sports use psychomotor skills. If you play golf or baseball, you are well aware that there is both a mental and a physical component. You may understand *cognitively* how to swing a golf club or pitch a fastball long before you can *physically* do it. On the other hand, if you practice the skill enough, doing it becomes almost automatic. After 3,000 to 5,000 repetitions of a particular sequence of movements, a phenomenon called “muscle memory” occurs.

### Muscle Memory

Once a psychomotor skill becomes part of muscle memory, you no longer have to think about how to do it—your body just knows. Riding a bicycle is a good example. Once you learn how to ride a bike, you never forget, even if you go for years without riding. That is because the skills involved in pedaling and balancing the bicycle have become part of your muscle memory.

Critical skills for law enforcement officers, such as being able to draw and fire your weapon accurately, must become part of muscle memory. In the Firearms section of your training, you will spend the bulk of your time on the range, practicing. Why is it so critical that shooting becomes part of your muscle memory? Because under stress, you won't be able to "think" your way through it.

## The Body's Response to Stress

Most of the time, your body is governed by the *parasympathetic* nervous system. In this state, the cognitive part of your brain (the cerebrum) has good blood flow and a plentiful supply of oxygen. Your heart rate and blood pressure are at resting or normal levels. You can think clearly, weigh the pros and cons of various actions, and have normal physical abilities.

Under stress, however, your body is governed by the *sympathetic* nervous system. When the sympathetic nervous system takes over, a number of physical changes occur, among them these:

- Your body secretes adrenaline.
- Blood flow to the large muscles increases, making it easier for you to fight or run from danger—thus, this response is sometimes called the "fight or flight" response.
- Your heart rate, blood pressure, and respiration rate all increase, ensuring that your large muscles are well oxygenated.
- Your sweat glands are stimulated.
- Your blood sugar increases.
- Your vision and hearing may become more keen—and may also exclude stimuli that are not part of the perceived danger.

These changes allow you to act more quickly and with more strength, enabling you to fight or flee, but they occur at a sacrifice:

- Blood flow is directed *away* from the brain, making it difficult or impossible to think and make decisions.
- You may experience *tunnel vision* and *auditory exclusion*. Because your brain is focused on the threat, it may screen out other stimuli. Your eyes and ears are functioning, but the brain is simply ignoring some of the input.

Under extreme stress (and a deadly force situation is certainly going to be stressful), you can expect to experience some or all of these physiological changes. You must be able to draw your weapon and fire it without thinking about *how* to do so. It must be automatic.

We have all had the experience of practicing a skill until we thought we had mastered it, only to find ourselves unable to perform the skill in front of an audience. The increased stress of having an audience watching interfered. How can we be sure that under the extreme stress of combat we will be able to draw and fire our weapon accurately? The answer is to practice under *simulated*

stress. After you have mastered the basics of using your firearm, you will be subjected to gradually increasing demands, such as time pressure, having to make shoot/don't shoot decisions, and so on. By practicing under simulated stress, you will be able to perform under actual stress.

Mentally rehearsing how you would respond in an emergency situation can also help to “program” you to act appropriately under stress. When the actual emergency situation occurs, you will be able to do what you have trained and mentally practiced. Even repeatedly visualizing yourself performing various weapon-handling skills perfectly will help increase your proficiency. Much as a professional basketball player visualizes a perfect free throw, you can improve your performance by visualizing, for example, a fast, smooth draw stroke.

### **Controlling Yourself and Others Under Stress**

The same stress that affects you also affects the suspect and other officers on the scene. Suspects experiencing auditory exclusion may not respond to verbal commands, especially if the commands are complicated. You may have to shout very short, simple commands (e.g. “Get down!”) repeatedly before a suspect hears you and complies. Suspects under extreme stress may be very strong—it may take several officers to subdue one struggling individual, even if the suspect is relatively small. They may not make rational decisions or be able to think clearly.

When the “fight or flight” response has been triggered, a person may become very aggressive, and this aroused, aggressive state may not diminish quickly, even after the immediate emergency has been resolved. Thus, a person who has fought vigorously may continue to resist violently even after he or she has been placed in handcuffs or other restraints. By the same token, an officer who has fought vigorously to subdue a suspect may find it difficult to “turn off” the aggression once the subject is under control. A great many excessive force complaints result not from the level of force used to gain control, but because the officer continued the same level of force after the suspect was under control.

As soon as you can in an emergency situation, you should start to calm yourself down and actively work to return yourself to normal. That way, if you need to intervene to override another officer's actions or simply need to direct a suspect, you will be able to do so effectively. You can start to calm down by beginning to debrief yourself, using techniques you learned in Professional Communication. These include mentally repeating phrases like, “I'm okay. I'm safe.” Another technique called *autogenic breathing* can help relieve some of the physical effects of stress. To perform autogenic breathing, follow this procedure:

1. Inhale slowly (count to four) through your nose.
2. Pause for a moment.

3. Exhale slowly (count to four) through pursed lips. This forces you to empty your lungs, preventing shallow, rapid breathing that can lead to hyperventilation.
4. Pause for a moment.
5. Repeat steps 1-4 several times.

As you do this breathing technique, you will notice your heart rate begin to slow and your senses start to return to normal.

## **BALLISTICS**

The term *ballistics* refers to the processes involved in firing a weapon and the behavior of the projectile that is fired. With respect to police firearms, we are chiefly concerned with three types of ballistics:

- Internal ballistics (what happens inside the firearm)
- External ballistics (what happens during the projectile's flight)
- Terminal ballistics (what happens when the projectile strikes an object)

### **Internal Ballistics**

As you will see in the next chapter, when a gun is fired, a small explosion takes place inside the weapon, creating pressure inside the ammunition cartridge and forcing the bullet down the barrel. The velocity of the bullet as it travels down the barrel is determined by its size and shape and the gunpowder charge behind it.

Ammunition comes in many different sizes and types. Most handgun ammunition is described in terms of its *caliber*, which refers primarily to the size of the projectile—specifically, its diameter. The diameter may be expressed directly (for example, 9 mm) or indirectly as hundredths of an inch (for example .38 caliber). The most common calibers used in American law enforcement are the 9mm Luger, 40 S&W, and .45 ACP. The words and letters following the numbers designate other characteristics of the cartridge. Your department will probably designate what caliber weapon you are authorized to carry.

### **External Ballistics**

The moment a projectile leaves the barrel, gravity causes it to begin to fall. The barrel of your weapon is angled slightly upward with respect to the line of sight, so the bullet actually travels in an arc. This is similar to how an outfielder aims a baseball high for a long throw to second base—otherwise, the ball would fall to the ground before it reached its target. The bullet will cross the line of sight on its way up and then again on its way down. Most handguns are designed so that the bullet crosses the line of sight the second time at 25 yards. At closer distances, the bullet will hit slightly high, and at farther distances, it will hit low.

Other factors, such as the shape of the bullet, its velocity, wind, weather, etc., can affect the external ballistics, but these effects are negligible at the close distances typical for handgun use.

## **Terminal Ballistics**

The study of terminal ballistics as it affects the law enforcement shooter is really the study of how projectiles incapacitate people. As you recall, the purpose of an officer's use of deadly force is to stop an imminent threat. The projectiles that officers fire must incapacitate an offender quickly to stop his or her aggressive action. Whether the person dies of the wound is not the critical issue—what is critical is to stop the threat, and to do so as quickly as possible.

Three factors contribute to whether and how quickly a person becomes incapacitated when shot:

- Permanent tissue damage caused by the projectile
- Shot placement
- The physical and psychological state of the person shot

When a bullet passes through tissue, the tissue is both distorted (stretched) and damaged. The temporary distortion is much less important than the permanent damage. In general, the bigger the bullet, the bigger the hole it creates, and the more damage. Additionally, the bullet must penetrate deeply enough into the body to reach major organs and blood vessels--which are generally at least six inches from the surface. For a round to be effective against a human being, it generally must effectively penetrate at least 12 inches into ballistic gelatin under test conditions.

Even if a person is fatally shot directly in the heart or lungs, and blood flow to the brain stops, he or she may still be able to function for up to three or four minutes. Hollywood movies often show shooting victims being violently thrown backwards when struck by handgun bullets. In fact, many gunshot victims relate that under stress, they did not even realize they had been shot. A shot to the central nervous system—the brain or spinal cord—will have an immediate effect. That is why the central nervous system is always our primary target.

A person's physical and psychological state can also affect how he or she reacts to being shot. Certainly someone who is in good physical condition will have a better ability to resist any sort of assault, including with a firearm. Mental state plays a big role as well. There are accounts of individuals dying from minor wounds, simply because they believed that if shot, they would die—so they did. And there are others who survived and recovered from wounds that should have been fatal. Never underestimate the importance of "survival thinking"—*never* give up, even if you have been shot.

THIS PAGE INTENTIONALLY LEFT BLANK

# THE SEMI-AUTOMATIC PISTOL

Semi-automatic pistols share some basic characteristics with all firearms. The more you understand about how your weapon functions, the more comfortable you will feel handling it, and the better able you will be to maintain it. We will begin this chapter with an explanation of firearm function.

## WHY GUNS FIRE

When a gun fires, what happens? We know that a bullet is propelled from the barrel and flies toward its target—but what makes that happen? In modern firearms, it is the combination of the ammunition cartridge and the weapon itself that produces the shot. Let's look first at ammunition.

### Ammunition

The bullet is only the beginning. In the old muzzle-loading days, to load a firearm the shooter had to measure out powder and pour it into the barrel of the weapon, follow that with wadding to keep the powder in place, and then ram a round lead bullet into place on top of the other two. Once the weapon was loaded, the powder was ignited by a flame or spark. Modern ammunition puts the parts together with a covering in a convenient package, called a *cartridge*.

A cartridge (also known as *round*) consists of four basic parts (see Figure 1):

- Casing
- Primer
- Propellant
- Bullet

### **Casing**

The casing, usually made of brass, forms a cylinder closed on one end. The casing contains the primer (at the closed end) and the propellant inside. The bullet is seated in the open end of the casing, and is held in place by friction. The bullet and the front of the casing sit in the chamber, with the rear of the casing held in place by the breech face. The rear of the casing is slightly larger than the front, which keeps the cartridge from sliding completely inside the chamber.

After the bullet is fired, the empty casing is ejected from the weapon.

### **Primer**

The primer is a very small explosive device in the rear of the casing. In most pistol ammunition, the primer is located in a small metal button or "cup" located in the center of the closed end of the casing. It consists of a cup with an attached

anvil, and an explosive charge. When the cup is struck by the firing pin, the anvil is crushed, igniting the explosive. This generates an extremely hot burst of embers that are propelled through a small hole into the propellant, igniting it.

### **Propellant**

Each cartridge contains a small amount of gunpowder (usually what is called “smokeless” powder). Unlike the primer, ordinary smokeless powder does not explode on impact. It will, however, burn rapidly if ignited. Generally speaking, the more powder contained in a cartridge, the bigger the explosion and the more powerful the cartridge.

### **Bullet**

The final part of the cartridge is the bullet. Most handgun bullets are shaped more or less like cylinders with a somewhat pointed front end and a flat (or slightly concave) rear end. The typical bullet is made of lead, although it may have a covering, or *jacket*, of some other metal such as copper. The front end of the bullet may be rounded, blunt, concave, or other shape. Different shapes make the bullet behave differently when it strikes a surface.

When the firing pin of the weapon strikes the thin metal covering the primer, the primer explodes. The explosion in turn ignites the gunpowder inside the casing.

As the gunpowder rapidly burns, it creates heat and expanding gases. The rapid expansion of the gases forces the bullet out of the casing.

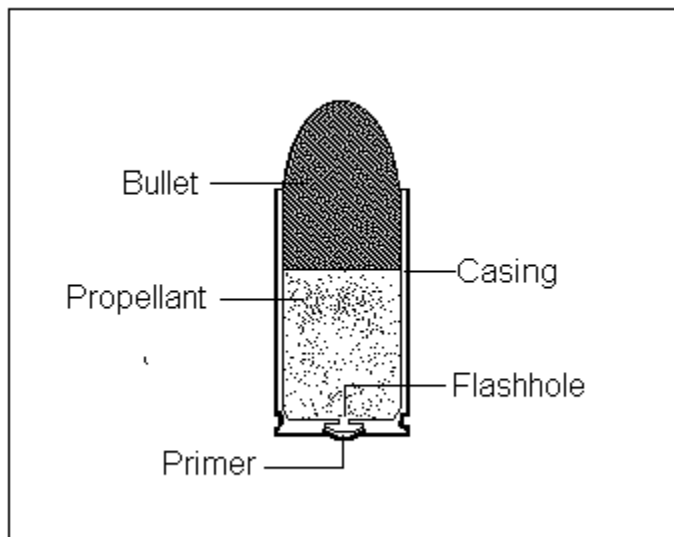


Figure 1: Diagram of a Cartridge



## Weapon Design

If one were able to strike the primer on a cartridge when the cartridge was outside of a firearm, the explosion described above would take place, but the bullet would not be propelled very far. As soon as the bullet separated from the casing, the gases would disperse in all directions, and thus would not push the bullet. The design of a firearm allows the full force of the explosion to be channeled into pushing the bullet.

The cartridge to be fired is held in the chamber at the rear of the barrel. (See Figure 2). The primer faces to the rear, and the bullet is toward the open end of the barrel. When the trigger is pulled, the firing pin strikes the primer of the cartridge, setting off the explosion that drives the bullet. With the cartridge in the weapon, however, the expanding gases have nowhere to go except out the end of the barrel, driving the bullet in front of them. In all other directions—to the rear, up, down, and sideways, the way is blocked by the solid metal of the barrel and the breech face (behind the cartridge). Nor can much of the gas escape around the edge of the bullet in the barrel, because the tolerances are very close. Thus almost all of the force generated goes to push the bullet forward.

In the semi-automatic pistol, some of the force is used to operate the mechanism (explained below) that ejects the empty casing and places the next round in the chamber. Each time you pull the trigger, one round is fired and the next round is fed into the chamber.<sup>1</sup>



Figure 2: Semi-Automatic Pistol

<sup>1</sup> In a fully automatic weapon, one trigger pull fires multiple rounds.

## SEMI-AUTO PISTOL TYPES

Semi-automatic pistols fall into two basic designs, those with hammers and those without hammers. While the end result is the same (the firing pin or striker hits the primer), how that result is achieved is somewhat different.

### Hammer Types

Pistols with hammers operate in a way that is analogous to a hammer striking a nail. At the rear of the pistol, behind the firing pin, these pistols have a part called the hammer that can move slightly forward and back. The hammer may be external or internal. It is spring-loaded, so that pulling it back loads the spring. If released, it will snap forward, striking the rear end of the firing pin, just like a carpenter's hammer striking the head of a nail. When the hammer strikes the firing pin, the firing pin is driven forward, just like a nail being driven into wood.

When a pistol with a hammer is cocked, the hammer is held back in its loaded position by a notched piece called the sear. Pulling the trigger moves the sear out of position and releases the hammer to go forward. Each time the weapon is fired, the mechanism that puts the next round in position also cocks the hammer. Single-action pistols require that the shooter manually cock the hammer before the first shot. Double-action/single-action pistols are designed so that pulling the trigger when the hammer is not cocked operates a mechanism that cocks it. For subsequent shots, the hammer is cocked automatically by the weapon's firing cycle. Guns that are double-action for the first shot usually have a lever or other means to de-cock the weapon.

### Hammerless Types

An alternative design for the semi-automatic pistol does not use a hammer to strike the firing pin. Instead, the action of pulling the trigger pulls the firing pin itself back against spring tension and then releases it, allowing it to snap forward and strike the primer. This design is similar to a bow-and-arrow, where the firing pin is the arrow. These pistols are considered double-action only, meaning that the pistol is never "cocked," because there is no hammer to cock. You have to pull the trigger to put the firing mechanism under tension—and if you release the trigger before firing, the firing mechanism goes back to its relaxed state. Such pistols therefore need no de-cocking mechanism.

## THE FIRING CYCLE

For a semi-automatic pistol to fire repeatedly, four actions must take place:

1. The first round must be *fired*.
2. The empty casing must be *extracted* from the chamber.
3. The empty casing must be *ejected* from the weapon.

4. The next round must be *fed* into the chamber.

Then the cycle begins again. Here's how it works.

### **Fire**

As described earlier, the firing pin strikes the primer on the cartridge that is positioned in the chamber of the weapon. The ensuing explosion pushes the bullet out the barrel, leaving the empty casing sitting in the chamber.

### **Extract**

Part of the energy from the explosion moves the slide rearward. As it travels to the rear, a hook-shaped part called the extractor on the inside of the slide grabs the rim of the empty casing and pulls it backward out of the chamber.

### **Eject**

As the slide continues to the rear, the closed end of the empty casing runs into a projection on the receiver called the ejector. This ejector contacts the casing off center, causing it to tip sideways. The continued movement of the slide to the rear sends the empty casing (also called a *spent shell*) flying out the ejection port on the side of the slide.

### **Feed**

As the slide moves to the rear, it compresses a spring under the barrel, called the recoil spring. When the slide is all the way to the rear, the spring tension starts it forward again. At the same time, the movement of the slide to the rear allows the next round in the magazine to be pushed upward by the magazine spring. As the slide moves forward, a projection on the slide contacts the rear of the next cartridge, pushing it forward, up the feed ramp and into the chamber, ready to be fired.

When the last round in the magazine has been fired, the magazine follower is pushed upwards. In most pistols, a projection on the follower catches a notch on the slide, preventing it from going forward, and causing the slide to lock back.

## **MAINTAINING YOUR WEAPON**

For the firing cycle to take place, all the parts of the weapon need to be working properly. If the weapon is dirty or parts are worn, it may not function reliably. Your handgun is your primary duty weapon, and is obviously a critical piece of equipment. If you ever need to fire your handgun in an emergency, you want it to work. The best way to make sure it is in good condition is to check it regularly,

clean it properly, and periodically have it inspected by your department armorer or other factory-certified armorer.

## **Function Check**

Each time you go on duty, check to make sure that your weapon is functioning properly. Go through the following steps:

1. Unload the weapon, following the procedure described in this manual.
2. With the magazine removed, move the slide back and forth, making sure it moves smoothly without binding.
3. Check that the slide stop lever properly locks the slide to the rear.
4. Let the slide go forward. Decock the weapon (if applicable), checking the function of the decocking lever.
5. Inspect your ammunition. Repeatedly re-chambering the same round can force the bullet deeper into the case, increasing chamber pressures and/or reducing reliability.
6. Insert a loaded magazine, checking that it seats properly in the magazine well.
7. Recharge the weapon safely (using a loading barrel or similar device).
8. Remove the magazine and load it fully. Replace it in the weapon.

## **Cleaning Your Weapon**

You should regularly clean your pistol after firing and at least once a month even if you don't fire it in that time. Clean your pistol if it gets wet, dirty, or dusty as a result of your activities. Cleaning your pistol gives you an opportunity to inspect it for damage or wear and also helps to ensure that it will function properly when you need it.

### ***Equipment***

You will need a few tools and supplies to clean your pistol. These may be provided by your department. If not, they are readily available at a sporting goods or hardware store. You can buy a packaged gun cleaning kit or assemble your own. You will need:

- Cleaning rod to fit your pistol
- Cloth patches to fit your pistol
- Cleaning solvent
- Gun oil
- Nylon toothbrush
- Bore brush (attachment for cleaning rod)
- Patch holder (attachment for cleaning rod)

### ***Procedure***

To clean your weapon, follow this procedure:

1. Unload your weapon. Remove the magazine, and then lock the slide to the rear. Visually and physically inspect the chamber and magazine well for the presence of any ammunition. Double-check your weapon is unloaded. Have a partner verify your weapon is unloaded, or pause and then repeat your inspection.
2. Field-strip your weapon according to the manufacturer's instructions. Pistols vary in the number of separate parts that result from field stripping. At a minimum, you will have these:
  - Barrel
  - Slide
  - Receiver
  - Recoil spring/rod assembly
3. Attach a bore brush to the cleaning rod and push it through the barrel from the chamber to the muzzle. Push it all the way through, and then pull it back. Do not change direction when the brush is still inside the barrel. Repeat several times.
4. Attach a patch holder to the cleaning rod and insert a solvent-soaked patch. Push the patch through the barrel from chamber to muzzle, wetting the inside of the barrel with solvent. Set the barrel aside.
5. Brush the receiver and slide vigorously with the dry toothbrush to loosen and remove carbon. Wipe remaining dirt off with a rag. Use solvent on a patch on any stubborn spots. If you use solvent, remove all of it before lubricating your weapon, leaving the weapon parts clean and dry.
  - Pay special attention to the breech face on the slide (where the firing pin hole is). Make sure it is clean and that the firing pin hole is not blocked.
  - Pay special attention to the extractor—make sure to clean the hook of the extractor so that it can properly grasp the rim of the empty casing to extract it from the chamber.
6. Attach a clean patch to the cleaning rod and push it through the barrel. Repeat, using a clean patch each time, until the patch comes out clean. Wipe off the barrel with a rag, making sure to clean the muzzle and the feed ramp.
7. Inspect the inside of the barrel by holding it up to a light and looking through it. The inside should be clean and shiny. If it is not, repeat the cleaning process, starting with the bore brush, until it is.
8. Lubricate your weapon as follows. *Do not let oil get into the firing pin hole.*
  - Place one drop of oil on the outside of the barrel, and rub it all over the outside surface of the barrel with your finger.
  - Use oil to lubricate metal-on-metal moving parts as directed by the manufacturer. Typical places include the hammer linkage or trigger bar.
  - Place a drop of oil in each of the slide rails, where the slide attaches to the receiver, and spread it along the length of the rail.
  - Wipe off any excess oil with a rag. Only a thin coat of oil is needed for lubrication. Excess oil tends to attract dirt.

9. Reassemble your pistol as directed by the manufacturer, then check for proper function.
10. Reload your weapon.

### **Care of Magazines**

When you clean your weapon, you should also clean and inspect your magazines. Disassemble the magazine according to the manufacturer's specifications, and wipe them clean with a rag. Do *not* use solvent or oil on the magazines—it could foul your ammunition and cause a misfire. Inspect the magazines for wear:

- Check the magazine spring for positive rebound from compression.
- Check that the follower causes the slide to lock back when the magazine is empty.
- Check the magazine body and lips for cracks or other damage.

### **Armorer's Inspection**

Once a year, you should have a qualified person do a complete disassembly and inspection of your weapon. Your department may have an armorer who does this; if not, you should have a manufacturer-certified armorer perform the inspection. It is important to have a trained person check your weapon for excessive wear or other functional problems on an annual basis.

Non-factory modifications to a weapon may disable internal safeties or alter critical tolerances, affecting your weapon's safety and reliability. Any modifications or repairs should be performed at the factory or by a department-approved armorer.

## **EQUIPMENT**

In addition to the weapon itself, you must also maintain the associated equipment: your duty belt, holster, and magazine pouches. Before starting each shift, perform a quick check of this equipment, as follows:

1. Most holsters have a means to keep the holster from sliding on the duty belt. If your holster uses set screws to accomplish this, make sure they are tight. If your holster uses belt tension to maintain its position, ensure your belt properly fits both the holster and your waist.
2. Make sure your holster is adjusted to keep your weapon snugly inside. The security mechanism may be a screw that you can adjust, or it may be a positive locking device. Whatever it is, make sure that it is working properly to secure your weapon.
3. Check the holster (and the shank that attaches it to your duty belt) for worn places, cracks or splits in the material. If you find any structural defects, replace the holster.

4. Check your magazine pouches to make sure that they are securely mounted on your duty belt and that they are in good condition. If they have snap covers, make sure the snaps work properly. If the covers are secured with Velcro™, make sure the Velcro™ is free of foreign material and in good condition.
5. Lightly lubricate holster and magazine pouch snaps as needed.

### **Inclement Weather Uniform Precautions**

Wear your uniform in such a manner that you have immediate access to your handgun and other tactical gear on your duty belt. Law enforcement raincoats, winter jackets, and traffic vests are designed to leave your firearm exposed to allow a normal draw. You should not have to “sweep” a uniform item out of the way before you can draw your firearm. Ensure that any waist closure systems or straps do not hang loose, where could get caught in the trigger when reholstering the weapon.

If weather conditions or special duty assignments require you to wear gloves, practice drawing and shooting while wearing them. Gloves change your feel and dexterity. If severe weather conditions force you to wear very thick gloves, remove them when you anticipate contacting an individual.

THIS PAGE INTENTIONALLY LEFT BLANK



# BASIC SHOOTING SKILLS

Law enforcement shooting requires both accuracy and speed. Naturally, you don't want to spend a great deal of time lining up a perfect shot if someone is about to shoot at you! On the other hand, firing quickly but not accurately isn't good either. It does no good to shoot really, really fast if you don't hit your target. As you learn the skills involved in shooting, do not worry too much at first about speed. Speed will come with practice. Instead, make sure that each time you practice the various skills, you do so as perfectly as possible. Your goal is to commit your shooting skills to muscle memory—and that takes 3,000 to 5,000 repetitions of the *correct* movements.

## SHOOTING FUNDAMENTALS

If you were to mount a handgun in a bench vise, so that it was totally immobile and precisely aimed at the target, you could shoot through nearly the same hole every time. Of course, that isn't possible for law enforcement shooting. Instead, you have to use your hands, body, and eyes to aim the shot, minimize the weapon's movement, and get ready for the next shot. Accurately firing a handgun consists of mastering five fundamentals:

- Stance
- Grip
- Sight Alignment
- Sight Picture
- Trigger Control

If you do all of these properly, every time, your rounds will hit the target where you intend. By itself, each of these is relatively simple. Putting them all together at the same time—while firing live rounds—can be challenging. Nevertheless, mastering these five fundamentals means you will be able to control motion and maintain consistency, shot after shot.

### Stance

The basic stance for law enforcement shooting combines mobility and stability. Your stance must allow you to move easily in any direction, but it must at the same time provide a stable shooting platform. It is the same basic *tactical stance* you use for the bulk of your law enforcement contacts (see Figure 3). Here's how to stand:

1. Face your target, with your feet about shoulder width apart.
2. Move your strong-side foot about 6" back, so that the toe of your strong-side shoe is about even with your reaction-side instep.

3. Bend your knees slightly, and shift your weight slightly forward, onto the balls of your feet. Your shoulders should be forward of your hips, and your hips should be aligned above your feet.
4. With your weapon held in a two-hand grip (see next), push the weapon in front of your master eye.<sup>2</sup> Both your strong-side and reaction-side arms should be locked out or nearly locked out.
5. Roll your shoulders forward, as if reaching forward to touch something a few inches away. This will help keep your weight forward to help control recoil.

This position has a number of advantages.

- It allows for easy movement in any direction.
- It is very stable. With your weight on the balls of your feet and your knees slightly bent, your center of gravity is slightly lowered and you can easily maintain your balance.
- It is not tiring—your weight is supported by bone rather than muscle, so you can stand in this fashion without fatigue.
- It places the most protective part of your vest between you and potential incoming rounds.
- It allows you to see the target with both eyes (binocular vision) and maximizes peripheral vision.



Figure 3: Tactical Stance

## Grip

Your grip on your weapon must be comfortable and stable, allowing you to hold the weapon steady enough to shoot accurately, and it must also allow you to control recoil with minimal fatigue. The key to both of these goals is to use the large muscles of the upper body as much as possible and to absorb the recoil with your entire body. Under stress you will lose fine motor control, but the large muscles will function better than normal because of increased blood flow. Absorbing the recoil with your body will minimize fatigue. The following explains how to achieve the best two-hand grip (see Figure 4):

1. With your strong hand, grasp the weapon so that the webbing between your thumb and forefinger is as high under the tang of the weapon as possible. Your thumb is on one side (just below the slide), and your

---

<sup>2</sup> Your master (or dominant) eye may not be on the same side as your dominant hand. Your instructor can help you determine which is your master eye. It is essential that you know which eye is dominant so that you can sight the gun properly.

- middle, ring, and little fingers wrap around the front strap just below the trigger guard. Your index finger (the trigger finger) is extended forward along the frame, until you are ready to shoot.
2. Align the weapon so that the slide and your forearm form a straight line, and your wrist is locked. Be sure the large knuckle at the base of your thumb is to the side, not directly behind the weapon. If the weapon is correctly aligned, you will absorb recoil without fatigue, because your whole arm and shoulder will absorb the impact. If it is not properly aligned, you will be absorbing recoil with your wrist only, and you will quickly fatigue (and your unlocked and fatigued wrist may not properly support the weapon, causing malfunctions).
  3. Place your reaction hand out at approximately 45-degree angle, as if you are preparing to shake hands. Then place that over the open area on the grip of the firearm. Both palms should be in firm contact with the grip, and the heels of your hands should touch. Rest your reaction-hand thumb against the frame *on the same side* as your strong-side thumb. Wrap your reaction-side fingers around the front of the weapon below the trigger guard, covering your strong-side fingers, and pulling back against the front strap.
  4. Firmly hold the weapon, using your reaction hand to supply about 60% of the force. Remember, the recoil will drive the weapon straight back, not side to side. Use firm pressure, but not a “choke hold.” If you are holding the weapon so tightly that your hands start to tremble, you will impair accuracy. As much as possible, use the large muscles of your arms and hands, rather than the small muscles of your fingers, to hold the weapon firm.

This is the basic grip for all law enforcement shooting. There may be situations where you have to shoot one-handed (for example, if you are injured and one hand is not functional), but whenever possible you will use this two-handed grip. As you learn to draw from the holster, you will establish the proper grip with your strong hand while your weapon is still in the holster, and then allow your reaction hand to “meet” the weapon as it is being raised to eye level.



Figure 4: Grip

## Sight Alignment

Sight alignment refers to the visual relationship between the front and rear sights of your weapon. When the weapon is on target, you will look between the two posts of the rear sight at the front sight. The front sight will be in focus, the rear sight and the target will not. When the sights are properly aligned, the front sight will be centered between the rear sight posts, with the top of the front sight level with the tops of the rear sight posts. (See Figure 5.)

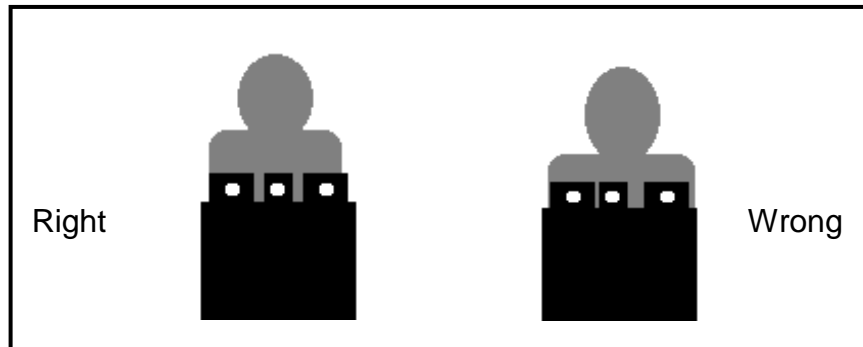


Figure 5: Sight Alignment

For law enforcement shooting, you should learn to shoot with both eyes open. As noted above, you will bring the weapon up in front of your master eye, but *keep both eyes open while sighting*. This may seem difficult at first, but it is crucial, for two reasons:

- Under stress, you will open both eyes anyway. Research has shown that part of the body's stress response is to use binocular vision.
- If you close one eye, you create a "blind side," which puts you at a tactical disadvantage.

With practice, you will learn to sight the weapon accurately with both eyes open.

## Sight Picture

Sight picture refers to the visual relationship of the sights to the target. If the sights are properly aligned, the bullet will hit the target at a point just above the area covered by the front sight. For law enforcement shooting, your primary target is the central nervous system.

The degree of care with which you align the sights and the target for law enforcement shooting depends on time and distance. The closer the target, the greater the danger, and therefore the faster you must shoot. If the target is close, a shot that is slightly misaimed, will still strike center mass. On the other hand, if your target is far away, a slight mistake in aim may mean that the round misses the target entirely.

Most law enforcement shootings occur at close or medium ranges (0-12 yards). At these ranges you may not need to carefully align the rear sight—you should fire as soon as you have the front sight on target and the weapon is stable.

If, on the other hand, your target is farther away, and particularly if you are firing from behind cover, you may be able to take more time to carefully align the sights and acquire a precise sight picture.

Realize that you will never be able to hold the weapon absolutely still—there will always be a small natural arc of movement. If you keep your front sight in focus, you will minimize that natural movement. Additionally, for a precise shot, you may wish to minimize the movement caused by your breathing. Two ways to do this are

- Take a breath, then let part of it out and hold your breath through the shot; or
- Fire during the natural respiratory pause after you exhale normally.

## Trigger Control

Remember that the third rule of firearms safety is ***Keep your finger off the trigger and outside the trigger guard until you are firing.*** Until you are firing, your trigger finger should be extended along the frame, *above* the trigger guard. When it is time to fire, operate the trigger as follows:

1. Place your finger on the trigger so that the *pad* of your finger is in contact with the trigger. With your finger in position on the trigger, there should be some space between your finger and the frame of the weapon. This will allow you to pull the trigger straight to the rear, firing the weapon without disturbing its aim. If your finger is too far through the trigger guard, so that it lies along the frame, or if you have your first joint rather than the pad of your finger on the trigger, pulling the trigger could push or pull the weapon to the side.
2. Using smooth, steady pressure, pull the trigger straight back, letting the weapon fire. *Keep your finger in contact with the trigger.* The recoil may make your arms and hands rise slightly. Get the weapon back on target as soon as possible.
3. Allow the trigger spring to push the trigger—and your finger—forward only as far as needed for the trigger to reset for the next shot. Depending on your firearm model, you will feel and hear a click as the trigger resets.
4. Continue the same sequence for subsequent shots.
5. When you are done firing, allow the trigger to go all the way forward, take your finger off the trigger, and again place it along the frame outside the trigger guard.

If you have a double-action/single-action weapon, the first trigger pull will take more force than subsequent single-action shots, and the distance to trigger reset will be quite short. With a double-action-only weapon, you will notice less

difference between the first and subsequent shots. With both types, however, the procedure is the same.

Trigger control is critical for accuracy. You may have your stance, grip, sight alignment and sight picture perfect, but if you jerk the trigger, fail to pull straight back, or let your finger fly off the trigger at the point of firing, you will almost certainly miss your target. At first you may be distracted by the noise and recoil, but remember: the noise and recoil will happen regardless. It may help you to think about pulling the trigger *through* the shot. The noise and recoil are not important; what is important is that you hold your weapon steadily on target through the entire trigger pull. *Let* the shot happen; don't try to *make* it happen.

## THE DRAW STROKE

The object of the draw stroke is to get the weapon from the holster into proper firing position as quickly as possible. To do this requires eliminating any unnecessary motion. A proficient draw stroke will be both fast and smooth. *Although the draw stroke is presented as a four-step procedure, with practice it will become one fluid motion.*

### Drawing Your Weapon

The following describes a proper draw stroke. (See Figures 6-9.) You should begin by taking a tactical stance, with both hands held in front of you above waist level.

1. Step One: Grip and Release. With your strong hand, release the strap or other retaining device securing the weapon in the holster. Simultaneously establish your shooting grip on the weapon while it is still in the holster. For maximum speed, you must:
  - Perform both actions simultaneously—not as two separate procedures.
  - Grip the weapon in the holster in a proper shooting grip, with the web of the hand high under the tang and the weapon properly aligned with the forearm.

Do not move anything other than your arm and hand. Keep your elbow close to your body so that your forearm is in line with the slide.



Figure 6: Step 1 – Grip and Unsnap

2. Step Two: Draw and Turn. Draw the weapon. As soon as the muzzle clears the holster, turn the weapon to point down range toward your target. Your finger is off the trigger and outside the trigger guard. Try not to dip your shoulder, bend at the waist, or do any other extraneous movement. From this position, if you had to fire, you could, with a good chance of hitting your target.



Figure 7: Step 2 – Draw and Turn

3. Step Three: Push and Meet. Push the weapon in a straight line towards the target and upwards to sternum level. When your strong hand is still close to your body, just in front of the lower sternum, meet it with your reaction hand. Wrap your reaction hand into a proper shooting grip.



Figure 8: Step 3 – Meet Reaction Hand

4. Step Four: Extend. Continue to push the weapon in a straight line until your arms are extended and the weapon is in front of your master eye.





Figure 9: Step 4 – Extended Position

Be sure that you point the weapon toward the target as soon as the muzzle clears the holster and be sure that you push the weapon in a straight line into firing position. Do not use a looping motion, as if you were making an underhand toss. The proper motion is like a straight punch from your center to an eye-level target.

Do not worry at first about speed. It is far more important that you do each part of the draw stroke correctly—every time. As you practice, speed will come. If you try to push for speed before you learn the proper technique, you will certainly introduce unnecessary movement and reduce the efficiency of your draw stroke. Remember: *smooth is fast*.

### **Recovering the Weapon to the Holster**

When you have finished firing, you must go through a standard recovery procedure in which you assess whether there is any further need to fire, begin to reduce your stress by using autogenic breathing, and systematically check your environment for further threats. If you follow this procedure when practicing at the range, you will automatically do it under the extreme stress of an actual police shooting. Here are the steps:

1. Assess the primary threat. Lower the weapon to the tactical ready position so you can see the subject's hands. If there is no longer an imminent threat of death or great bodily harm, remove your finger from the trigger.

2. Begin autogenic breathing to oxygenate your system and begin the process of breaking tunnel vision.
3. Look for other adversaries. Return the weapon to Step #3 (just in front of your lower sternum). Visually scan the area: up, down, both sides, and behind you. Move your head to look in these different directions. Visually scan for additional perpetrators, because you may face multiple adversaries. You must move your head because under great stress you may experience a loss of peripheral vision, often called “tunnel vision.” Moving your head allows you to “move the tunnel” to see in different directions.
4. After your training has progressed, you will reload the weapon. When you sense you’ve expended ammunition, insert a fresh magazine during a lull in the action or before reholstering (see pp. 36-37 and p. 83).
5. Decock (if necessary) and reholster and secure the weapon, *exactly reversing the action of the draw*: keeping your weapon pointed toward the target, bring it back in a straight line toward your holster. Release your reaction hand when the weapon is close to your center. (You may choose to raise your reaction hand to block any physical assaults.) When your weapon is at the holster, insert the muzzle and rock the weapon forward into place. Secure the retaining device. Keep your eyes up, scanning the area for further threats. You will learn to holster your handgun without looking at the holster.

## READY POSITIONS

In addition to the firing position and the holstered position, you will use “ready” positions that maximize your ability to rapidly counter deadly threats, *and* maintain firearm safety for you, other officers, the public, and the suspect.

In all ready positions, your finger is off the trigger and outside the trigger guard.

### Tactical Ready

The first ready position is the “tactical ready” position. This position is very similar to the firing position, except that the weapon is lowered slightly so you can look over the weapon and see the subject’s hands and waist. Your lowered weapon does not block your view, so you can see whether the subject is reaching for a weapon. At the same time, this position allows you to very quickly raise the gun and fire should you need to shoot.

At close quarters you can pull your elbows in tight to your body—the same position as step 3 of the draw. This reduces fatigue and is useful in close quarters where you don’t want to fully extend your weapon.

You will use the Tactical Ready position when you challenge suspects you believe may present a threat of death or great bodily harm. The Tactical Ready position is useful for:

- Covering a subject while you issue verbal commands.
- Approaching an area where you anticipate an adversary.
- Searching an area.
- Scanning and assessing threat before reholstering

## Low Ready

The low ready position is similar to the tactical ready except that the weapon is pointed down at about a 45° angle. This position is less fatiguing, but it requires more time to return to the firing position. The low ready is useful for:

- Maintaining safety if your partner or other non-adversary steps in front of you
- Resting between shots at the firing range



Figure 12: Firing Position



Figure 11: Tactical Ready



Figure 10: Low Ready

## ADMINISTRATIVE LOADING AND UNLOADING

A semi-automatic pistol is considered loaded in any of these conditions:

- It has a round in the chamber; *or*
- It has a magazine containing rounds in the magazine well; *or*
- It has a round in the chamber and a magazine containing rounds in the magazine well

## Administrative Loading

To load the pistol administratively (i.e. not in combat), follow the steps below.

1. Load a magazine to capacity by inserting the rounds one at a time into the magazine. Inspect each round as you insert it in the magazine, checking that the casing and bullet are in good condition and the bullet is inserted properly into the casing. *Warning: Do not overload the magazine, as it can damage the magazine and prevent the rounds from feeding properly.* Be sure the rounds are pointing the correct direction (bullet forward when the magazine is in the magazine well).
2. With the weapon in the holster, insert the magazine into the magazine well. Make sure it is seated properly and locked into place.
3. Draw the weapon to Step #3 of the draw stroke.
4. Holding the pistol firmly with your strong hand and keeping the weapon pointed down range, grasp the slide firmly between the heel of your reaction hand and the fingers. *Warning: Do not let your hand cover any part of the ejection port.* Pull the slide firmly to the rear, as far as it will go. Release it. Do not ease the slide forward or let the reaction hand follow the slide. The recoil spring will push the slide forward, feeding a round into the chamber. Decock the weapon if necessary.
5. Reholster the weapon. Remove the magazine, insert one round and replace it in the magazine well.

## Administrative Unloading

To administratively unload the weapon, follow these steps:

1. With the weapon holstered, remove the magazine.
2. Draw the weapon to Step #3 of the draw stroke.
3. Keeping the weapon pointed down range, lock the slide to the rear. Pull it back and engage the slide lock lever. Be sure your hand does not cover the ejection port. Let the ejected round fall to the ground.
4. Physically and visually inspect the weapon to be sure it is empty: no round in the chamber, no magazine in the well.
5. Release the slide, decock if necessary, and reholster the weapon.
6. Recover the round from the ground and inspect it prior to returning it to the magazine.

Remove the magazine first, and *then* lock the slide to the rear. If you rack the slide before you remove the magazine, you will eject the round in the chamber, but if the slide goes forward a new cartridge would feed into the chamber, leaving the weapon loaded even after the magazine is removed.

## RELOADING

Unlike administrative loading, reloading takes place in combat conditions. You must learn to reload quickly and smoothly, so that you are ready to continue firing if it is appropriate. You will reload under two conditions:

- When you have fired all your rounds and your weapon is empty, with the slide locked back.
- When you have fired some rounds, you are behind cover, and you choose to replace your partially-depleted magazine with a full one.

The first is referred to as *out-of-battery* reloading, because your weapon is “out of battery” or unable to fire. The second is called *in-battery* reloading, because your weapon is still able to fire rounds when you choose to reload.

### Out-Of-Battery Reload

When you fire the last round in your handgun, the magazine follower activates the slide stop, preventing the slide from closing. The pistol is out-of-battery, not only because it is empty, but also because the slide is locked back out of firing position.

Your first indication that your weapon is empty may be that you pull the trigger and nothing happens. With experience, you may feel the slide lock back, or notice that the sights are slightly closer to you. In any case, as soon as you realize that the slide has locked back, you know you have to reload. Here is the procedure:

1. Remain behind cover or continue moving toward cover.
2. From the firing position, bring your handgun closer to you, keeping it at upper chest level where you can easily see it and manipulate it. By keeping your handgun elevated, you have better dexterity and keep your head up.
3. Press the magazine release button with the thumb of your strong hand. If you are left-handed and your handgun does not have a reversible magazine catch, use your index or middle finger.<sup>3</sup>
4. Simultaneously strip the magazine out of the magazine well with your reaction hand. Even if the magazine *should* fall free on its own, stripping it does no harm, and ensures the magazine doesn't stick in an emergency. (Some magazine floor plates do not protrude from the magazine well, making them difficult to grasp. If that is the case with your handgun, let the magazine fall free.)
5. As soon as the magazine clears the magazine well, drop it and reach for your magazine pouch. You do not need to throw the magazine—just let it drop.

---

<sup>3</sup> If your magazine release protrudes from the opposite side of the grip when pressed, be sure your hand does not block its travel.

6. Remove a full magazine from the magazine pouch. Grasp the magazine so that its floor plate is in the palm of your hand and your index finger is extended along the front (bullet) edge of the magazine. (See Figure 13.)
7. Insert the full magazine into the magazine well, using your index finger to help you locate the magazine well. Firmly push the magazine into the magazine well with your palm, making sure it is fully seated.
8. Release the slide and let it go forward, pushing a new round into the chamber.



Figure 13: Gripping the Magazine

As you practice out-of-battery reloading, concentrate on making the reload as smooth and efficient as possible. Your goal is to be able to reload your weapon and be ready to fire if necessary as fast as possible. Just as with learning the draw stroke, you must practice doing the procedure *perfectly*. Speed will come with repetition.

### **In-Battery Reload**

In some situations, you may decide to reload your weapon while it is still in battery (still able to fire). For example, if you fire a number of rounds during a gunfight and there is a lull in the action, you may decide to reload so you have a full magazine in your weapon if the gunfight resumes.

The procedure for in-battery reloading is very similar to that for out-of-battery reloading, except that the slide will not be locked back. Because there is a round in the chamber, ready to fire, there is no need to cycle the slide. Here is the procedure:

1. Move behind cover.
2. From the firing position, bring your handgun closer to you, keeping it at upper chest level where you can easily see it and manipulate it. By keeping your handgun elevated, you have better dexterity and keep your head up.

3. Press the magazine release button with the thumb of your strong hand. If you are left-handed and your handgun does not have a reversible magazine catch, use your index or middle finger.<sup>4</sup>
4. Simultaneously strip the magazine out of the magazine well with your reaction hand. Even if the magazine *should* fall free on its own, stripping it does no harm, and ensures the magazine doesn't stick in an emergency. (Some magazine floor plates do not protrude from the magazine well, making them difficult to grasp. If that is the case with your handgun, let the magazine fall free.)
5. As soon as the magazine clears the magazine well, drop it and reach for your magazine pouch. You do not need to throw the magazine—just let it drop.
6. Remove a full magazine from the magazine pouch. Grasp the magazine so that its floor plate is in the palm of your hand and your index finger is extended along the front (bullet) edge of the magazine.
7. Insert the full magazine into the magazine well, using your index finger to help you locate the magazine well. Firmly push the magazine into the magazine well with your palm, making sure it is fully seated.

---

<sup>4</sup> If your magazine release protrudes from the opposite side of the grip when pressed, be sure your hand does not block its travel.

THIS PAGE INTENTIONALLY LEFT BLANK



# MALFUNCTIONS

Weapons, like any mechanical device, can malfunction on occasion. Most semi-automatic pistol malfunctions can be prevented by properly maintaining your weapon and practicing proper shooting fundamentals. This section describes the most common malfunctions, explains their causes, and describes how to fix them.

## TYPES OF MALFUNCTIONS

As you have learned, the firing cycle of the semi-auto pistol is comprised of four actions:

- The first round must be *fired*.
- The empty casing must be *extracted* from the chamber.
- The empty casing must be *ejected* from the weapon.
- The next round must be *fed* into the chamber.

If any of these actions fails to occur, the firing cycle is interrupted, and the function is compromised. We will look first at the effect that a malfunction in each of these areas will have on the firing of the weapon.

### Failure to Fire

In a failure to fire, pulling the trigger fails to cause the round to fire. Whatever the cause, the weapon does not discharge, and the bullet is not launched toward the target.

### Failure to Extract

In a failure to extract, the empty casing is not pulled out of the chamber. If the empty casing remains in the chamber, it blocks the next cartridge from going into the chamber and prevents further firing of the weapon.

### Failure to Eject

In a failure to eject, the empty casing is pulled out of the chamber, but it is not ejected from the weapon. It can block the next round from being fed into the chamber, and it can block the slide from going fully forward into battery.

### Failure to Feed

In a failure to feed, the next round is not fed into the chamber. When the shooter pulls the trigger, the slide may not be fully forward or the chamber may be empty, and the weapon does not fire.

## CAUSES OF MALFUNCTIONS

Many things can cause weapons to malfunction. Malfunctions may be shooter-induced (and therefore preventable), or may be beyond the shooter's control. However, most malfunctions can be "cleared" in the field, with the handgun quickly returned to operation.

### Shooter-Induced Malfunctions

Most malfunctions are a result of two problems:

- Poor weapon maintenance; or
- Poor shooting habits

#### ***Weapon maintenance***

You must ensure your weapon is clean, lubricated, and in good working condition. If you don't regularly clean and lubricate the weapon, it won't work well. For example, if the extractor is not clean—especially under the claw—it may slide off the rim of the cartridge case, leaving it in the chamber (failure to extract). An excessively dirty chamber may cause the case to bind and not extract easily (failure to extract). If the slide is dirty or not lubricated, the slide may bind (failures to feed or eject). If you allow solvent or oil to get into the firing pin hole, it can prevent the firing pin from moving freely (failure to fire).

You depend on your weapon to save your life and the lives of others. Regularly clean and lubricate your weapon.

#### ***Shooting habits***

When the weapon fires, some of the energy released forces the bullet down the barrel. Recoil energy pushes the slide to the rear, extracting and ejecting the empty cartridge case. The recoil spring captures the slide's energy and then redirects it by pushing the slide forward, where the slide strips the next round out of the magazine and feeds it into the chamber.

The weapon is designed for the slide to operate with its full allotment of energy. Proper functioning requires that you hold the weapon stable through the shot and subsequent cycling of the slide. If your stance and grip are not firm enough to minimize the motion of the weapon, energy that operates the slide may be diverted in a direction other than straight back, unavailable to reliably operate the handgun. This can cause malfunctions. Particularly important is reducing "muzzle-whip," or the tendency of the weapon to tilt up with respect to your forearm when a round is fired. Be sure to keep your wrists locked and your strong hand gripping the weapon high on the backstrap during firing so that the barrel remains parallel to your arm.

## Other Causes of Malfunctions

Malfunctions can be caused by mechanical problems with the weapon itself, such as parts that are broken or worn beyond tolerances. A rounded extractor claw may not pull the empty case out of the chamber. A broken or chipped ejector may not push the round out the ejection port. A weak magazine spring may not push the next round up into position to be fed into the chamber. To reduce the likelihood of these problems, inspect your handgun for wear and broken pieces every time you clean it.

Malfunctions can also be caused by faulty ammunition. Ammunition with an insufficient powder charge may not provide enough energy for reliable cycling. Ammunition in which the powder or primer has been exposed to water, oil, or cleaning solvents may not fire reliably. While these causes are not completely under your control, you can minimize the likelihood of problems:

- Have your weapon inspected regularly (at least annually).
- Use factory ammunition from a reliable manufacturer.
- Clean and inspect your weapon after exposure to the elements, and replace your carry ammunition at least annually.

## CLEARING MALFUNCTIONS

Firearms are machines, and all machines can malfunction or break. You must be able to perform simple steps to get your firearm running if it malfunctions during a gunfight.

This section describes how to clear malfunctions that can be resolved in the field—“non-critical” malfunctions. “Critical malfunctions” require time, tools, or expertise that is not available to you in the field. If the methods shown do not fix the problem, you may have a critical malfunction. In those circumstances you should disengage or use a different weapon or back-up gun.

Begin by moving to cover, if available. Then perform a “Phase 1” malfunction clear. If “Phase 1” does not fix the problem, you will perform a “Phase 2” malfunction clear. If the Phase 2 doesn't work, assume you have a critical malfunction, and proceed accordingly—disengage or use a secondary weapon. Note that you do *not* need to diagnose the cause or type of malfunction. You simply start with Phase 1, and if that doesn't solve the problem go to Phase 2, in that order.

### Phase 1 Malfunction Clear

The Phase 1 Malfunction Clear consists of four steps:

1. *Tap* the butt plate of the magazine to be sure it is fully seated in the magazine well

2. *Roll* the pistol, tipping it slightly towards the ejection port to help any loose casing or round fall out of the ejection port.
3. *Rack* the slide once—grasp the slide, pull it all the way to the rear, and release it.
4. Reassess and fire if necessary.

The Tap-Roll-Rack action can solve several problems. If the magazine is not fully seated, some pistols cannot fire, even if a round is in the chamber. If the magazine is not fully seated, the slide may not be able to feed the next round into the chamber, because the round is riding too low. Tapping the magazine into place will solve both of these problems.

Racking the slide can solve a failure to eject, by releasing a spent casing caught in the ejection port. It can feed another round into the chamber in case the chamber is empty, or the round in the chamber failed to fire. If the Phase 1 Clear does not work to solve the problem, try the Phase 2 Malfunction Clear.

### **Phase 2 Malfunction Clear**

The Phase 2 Malfunction Clear consists of six steps:

1. *Strip* out the magazine. The magazine may be difficult to strip, particularly in the event of a failure to extract, when the slide is not fully forward because it is trying to push a new round into the chamber, which is already full with the empty casing. If necessary, lock the slide to the rear and then remove the magazine. While it is easier to remove the magazine with the slide locked back, locking it back wastes valuable time. If you can strip the magazine without locking the slide to the rear, do so. Note: if it is difficult to remove the magazine, be sure that you are not inadvertently blocking the movement of the magazine release.
2. *Rack* (cycle) the slide twice. Doing so may serve to extract a stuck casing (and with the magazine out, no other round will be in the way).
3. *Insert* a fresh magazine (in case the magazine was causing the problem);
4. *Charge* the weapon.
5. Reassess and fire if necessary.

You will carry your handgun whenever you are on patrol. You depend on it as your primary deadly force tool for unanticipated emergencies. Thus, you must master it to protect yourself, your partners, and the public you serve.

# PHASE TWO - FIREARMS AND DEADLY FORCE DECISION-MAKING

## COMPETENCIES AND LEARNING OBJECTIVES

1. **Identify the issues that are associated with deadly force decision-making and the use of deadly force.**
  - 1.1 Identify and describe the legal and policy issues involving the use of deadly force.
  - 1.2 Define deadly force and explain justified use of deadly force within the defensive and arrest tactics Disturbance Resolution Model.
  - 1.3 Define imminent threat and the criteria that need to be met in order for a threat to be imminent.
  - 1.4 Assess whether alternatives to shooting are appropriate when encountering a potentially life threatening situation.
  - 1.5 Identify the target requirements that must be met in order to use deadly force.
  
2. **Fire the handgun accurately in a variety of conditions and environments.**
  - 2.1 Identify cover and how to use cover.
  - 2.2 Analyze the various shooting positions and the advantages and disadvantages of each position.
  - 2.3 Identify the issues involved when multiple adversaries are to be engaged.
  - 2.4 Identify the issues involved when close combat shooting occurs.
  - 2.5 Identify the issues involved when using unsupported shooting techniques.
  - 2.6 Identify the issues involved when shooting in low light levels.
  - 2.7 Demonstrate proficiency in basic shooting fundamentals in a variety of tactical situations.
  
3. **Take appropriate actions after combat shooting.**
  - 3.1 Assess threat to determine if it has been neutralized.
  - 3.2 Complete post-shooting legal procedures.
  - 3.3 Prepare to testify in court related to a shooting incident.
  - 3.4 Prepare a written report or verbal narration on an officer-involved shooting scenario.
  
4. **Identify the various types of firearms (both handguns and long guns) and their design and functional differences.**
  - 4.1 Identify various types of firearms and the major functional parts of these firearms.
  - 4.2 Unload and secure a firearm other than one's own.

- 5. Examine the role and characteristics of law enforcement patrol rifles.**
  - 5.1 Identify and describe the role that ballistics play in the performance of the rifle.
  - 5.2 Identify nomenclature and functions of patrol rifles.
  - 5.3 Field-strip, clean, lubricate, reassemble and function check the rifle.
  - 5.4 Describe the advantages, limitations, and nomenclature of patrol rifles.
  
- 6. Fire the rifle accurately in a variety of conditions and environments.**
  - 6.1 Load, deploy, carry, reload, and unload rifles in a safe manner.
  - 6.2 Identify and perform the carry and ready positions that an officer may employ with a rifle and the uses for these positions.
  - 6.3 Analyze various shooting positions and the advantages and disadvantages of each position.
  - 6.4 Identify various types of rifle malfunctions and clear those malfunctions.
  - 6.5 Identify rifle-specific issues involved in multiple adversary, close combat, and low light engagements.
  - 6.6 Demonstrate proficiency in rifle shooting fundamentals in a variety of tactical situations.

## **BASIC CONCEPTS SURROUNDING USE OF FORCE**

Let us begin by reviewing the basic concepts surrounding use of force, and in particular, deadly force. Two conceptual models underlie Wisconsin law enforcement: Incident Response and Disturbance Resolution.

## INCIDENT RESPONSE

Incident Response outlines how officers should respond to calls. It is based on the acronym RESPOND:

### **R**     ***Report***

- Become aware
- Plan response
- Arrive/Assess
- Alarm/Inform

### **E**     ***Evaluate***

- Look for dangers
- Determine backup needs
- Enter when appropriate/tactically sound

### **S**     ***Stabilize***

- Subject(s)
- Scene

### **P**     ***Preserve***

- Life
  - Conduct an initial medical assessment (as trained)
  - Treat to level of training
  - Continue to monitor the subject(s)
- Evidence

### **O**     ***Organize***

- Coordinate additional responding units (if necessary)
- Communicate with dispatch and others
- Organize the collection of evidence (if appropriate)

### **N**     ***Normalize***

- Provide long-term monitoring (as appropriate)
- Restore scene to normal
- Return radio communications to normal

### **D**     ***Document/Debrief***

- Debrief self, other responding personnel, subject(s), other persons
- Document incident appropriately



In a situation in which you are forced to use deadly force, you will still follow the same sequence of actions. If time allows, you will report to dispatch your location and your initial assessment of the situation. You will tactically evaluate the situation to locate cover and escape routes, and to determine if there are other non-deadly-force options for handling the situation. You will stabilize the situation—in this case, by using deadly force to stop the threat. You will preserve life (if possible) by administering first aid, and you will preserve evidence at the scene. You will initially organize the response of back-up units, although in a deadly-force incident you will probably be relieved of this duty by a supervisor. You will begin to normalize yourself, initially by debriefing yourself, as you were taught in Professional Communications, and later perhaps by attending a critical incident stress debriefing. And of course, you will document the incident in a report or an interview.

### **Disturbance Resolution**

Disturbance Resolution outlines the specific steps you must take in responding to disturbances. Certainly any situation involving deadly force requires that you follow the steps of Disturbance Resolution.

While in some cases, deadly force encounters develop very rapidly and unexpectedly, careful attention to your initial approach may make it possible for you to use other options to control the situation. For example, maintaining cover and distance may allow you to negotiate with an armed suspect, while rushing into a close confrontation may leave you no option but deadly force. Similarly, even if your intervention results in your having to shoot a suspect, you (or someone else assigned) must follow through by securing the suspect in handcuffs, monitoring his or her condition, providing appropriate medical care, and arranging for transport and release to a hospital, jail, or the morgue.

# **DISTURBANCE RESOLUTION MODEL**

## **APPROACH CONSIDERATIONS**

### **Decision-Making**

- Justification
- Desirability

### **Tactical Deployment**

- Control of Distance
- Relative Positioning
- Relative Positioning with Multiple Subjects
- Team Tactics

### **Tactical Evaluation**

- Threat Assessment Opportunities
- Officer/Subject Factors
- Special Circumstances
- Level/Stage/Degree of Stabilization

## **INTERVENTION OPTIONS**

### **MODE**

- A. Presence
- B. Dialog
- C. Control Alternatives
  
- D. Protective Alternatives
  
- E. Deadly Force

### **PURPOSE**

- To present a visible display of authority
- To verbally persuade
- To overcome passive resistance, active resistance, or their threats
- To overcome continued resistance, assaultive behavior, or their threats
- To stop the threat

## **FOLLOW-THROUGH CONSIDERATIONS**

- |                      |   |
|----------------------|---|
| A. Stabilize         | Application of restraints, if necessary |
| B. Monitor/Debrief   |   |
| C. Search            | If appropriate                          |
| D. Escort            | If necessary                            |
| E. Transport         | If necessary                            |
| F. Turn-Over/Release | Removal of restraints, if necessary     |

## DEADLY FORCE

Deadly force is the fifth mode in Intervention Options. The purpose of deadly force is *to stop the threat*. Within the DAAT system, one trained tactic is classified as deadly force: the firearm.

The purpose of deadly force is to stop the threat.

### Use of Deadly Force

As you have learned, your legitimate use of force is limited by the U.S. Constitution, Wisconsin law, agency policy, and your training.

#### ***The U.S. Constitution***

In deciding the case of *Graham v. Connor*, the U.S. Supreme Court established the standard that any law enforcement use of force must be objectively reasonable, in light of:

- The severity of the alleged crime at issue
- Whether the suspect poses an imminent threat to the safety of officers and/or others
- Whether the suspect is actively resisting or attempting to evade arrest by flight

In addition, the Court said that reasonableness should be judged under the totality of the circumstances from the perspective of a reasonable officer at the scene with similar training and experience.

A second U.S. Supreme Court case, *Tennessee v. Garner*, has particular importance in deadly force decisions. Tennessee law permitted an officer, once having given a suspect notice of intent to arrest for a crime, to use “all the necessary means to effect the arrest” if the suspect fled or resisted. In this case, an officer shot and killed a fleeing burglary suspect whom the officer believed was unarmed. The Court, deciding the case in 1989, said it was *not* reasonable to use deadly force against an unarmed fleeing felon, unless there is “probable cause to believe that the suspect poses a significant threat of death or serious physical injury to the officer or others.”

#### ***Wisconsin Law***

While Wisconsin law affords officers the protection of privilege “when the actor’s conduct is a reasonable accomplishment of a lawful arrest,”<sup>i</sup> the conduct must be reasonable. Using deadly force in the absence of significant threat would not be reasonable.

Wisconsin law specifically prohibits use of deadly force to prevent suicide<sup>ii</sup> and solely to protect property.<sup>iii</sup>

### ***Agency Policy***

Wisconsin law<sup>iv</sup> requires that law enforcement agencies have policies governing certain topics. One of these is the use of force, including deadly force. Certainly, any use of deadly force must conform to your agency's policy.

### ***Training***

In Firearms, you will learn to shoot. In other training, you may learn techniques that are also considered deadly force. Just as is true with other uses of force, some situations may dictate that you use a technique that is not trained, but justifiable under the circumstances.

## **DEADLY FORCE DECISION-MAKING**

The legal and policy guidelines presented above provide a conceptual backdrop for the use of deadly force, but do not provide very specific guidelines. The following section describes the specific criteria that must be present for the law enforcement use of deadly force to be legitimate.

### **When Is Deadly Force Reasonable?**

There are two situations wherein an officer is permitted to use deadly force. The first (and by far the most common) is in defense of self or others. The second is in defense of society at large.

#### **Defense of Self or Others**

You have an obvious right to protect yourself. You are also privileged to use deadly force to protect others, both under your duty as a law enforcement officer, and under Wisconsin Stat. § 939.48(4).<sup>v</sup> Thus, you may use deadly force when a subject poses an imminent threat of death or great bodily harm to you or to another person or persons.

The definition of deadly force is:

The intentional use of a firearm or other instrument that creates a high probability of death or great bodily harm.<sup>5</sup>

---

<sup>5</sup> [Wis. Stat. § 939.48\(1\)](#): ...The actor may not intentionally use force which is intended or likely to cause death or great bodily harm unless the actor reasonably believes that such force is necessary to prevent imminent death or great bodily harm to himself or herself.

[Wis. Stat. § 939.22\(14\) & \(38\)](#): "Great bodily harm" means bodily injury which creates a substantial risk of death, or which causes serious permanent disfigurement, or which causes a permanent or protracted loss or impairment of the function of any bodily member or organ or other serious bodily injury." It is the most serious injury possible without actually causing death. Great bodily harm is a more serious injury than broken bones; loss of consciousness, sight or hearing; concussion; or loss of teeth (all of which are classified as "substantial bodily harm").

This definition has two important elements. First, the use must be *intentional*. If you deliberately hit a person in the head with your baton, it would be considered deadly force. On the other hand, suppose you attempted to strike a person in the elbow area (an appropriate baton target), but the person ducked or fell, and your baton actually struck his or her head. Your actions would not constitute deadly force—even if the person died as a result of the blow—because you did not *intend* to use deadly force.

Second, the use of the firearm or other instrument must create a high probability of *death or great bodily harm*. A baton strike to the knee area is not likely to cause a high probability of death or great bodily harm, but it conceivably could do so in certain unlikely circumstances. Because a baton strike to the knee area does not create a high probability of death or great bodily harm, it would not be considered deadly force even if the subject did, in fact, suffer great bodily harm. The same is true for a trained empty hand strike to the head. Because that strike doesn't create a high probability of death or great bodily harm, it would not be considered deadly force.

Subject behavior that justifies an officer's use of deadly force is:

Behavior which has caused or imminently threatens to cause death or great bodily harm to you or another person or persons

The word *imminent* means “about to happen.” An imminent threat is an immediate threat. For a subject's threat to be considered *imminent*, it must meet three criteria:

- Intent
- Weapon
- Delivery System

### ***Intent***

The subject must indicate his or her intent to cause great bodily harm or death to you or someone else. Some of the ways that intent might be shown would include deliberately pointing a weapon at you, stating an intention to kill you, rushing at you with a knife, and so on.

### ***Weapon***

The subject must have a conventional or unconventional weapon capable of inflicting great bodily harm or death. Guns and knives are not the only weapons—many other common objects can be used as weapons. Beer bottles, baseball bats, pieces of broken glass, large rocks or bricks—all of these and others can be weapons. Some individuals are even able to inflict death or serious injury with their hands or feet alone, and some apparently innocuous items, such as a pen or pencil, can be used as a weapon.

### ***Delivery System***

The subject must have a means of using the weapon to inflict harm. A person armed with a baseball bat, having stated his or her intention to kill you, does not meet the criteria for imminent threat if he or she is standing 50 yards away from you on the other side of a fence. There is no delivery system. The same person standing 10 feet away from you does meet the criteria.

Thus, deadly force is an option if a subject poses an imminent threat of death or great bodily harm to you or to another person or persons.

### **Preclusion**

Before you can use deadly force, you must reasonably believe that all other options have been exhausted or would be ineffective. In other words, deadly force is always a last resort. This concept is called *preclusion*. Note that in many deadly-force situations, you will not have time or the ability to try other options—if a subject a few feet away from you suddenly pulls a gun and threatens to shoot you, generally the only reasonable response is to fire. There is simply not enough time to try alternatives.

If feasible, you should give a verbal warning before firing, but this is not always possible, and in some cases may not be desirable. A verbal warning is feasible if you have sufficient time, distance, and/or cover from the subject posing the deadly threat, such that the verbal warning would not increase or prolong the danger to yourself or other innocent people.

### **Target Requirements**

If you have determined that you face a threat that meets the requirements to permit a deadly-force response, and you have decided to shoot, you must still fulfill three target requirements:

- Target acquisition
- Target identification
- Target isolation

#### ***Target Acquisition***

Target acquisition means simply that you have acquired an actual target to shoot at. You cannot fire blindly in the direction of a sound, for example, because you may endanger others. If someone has shot at you from an apartment building, you cannot return fire until you have a specific target to aim at.

#### ***Target Identification***

Target identification means that you have identified your target as the source of the imminent threat. To continue the previous example, just because you see someone at a window in that apartment building, you cannot shoot until you verify that the individual you see is the person who shot (or someone else who is about to shoot at you).

### ***Target Isolation***

Target *isolation* means that you can shoot at your target without danger of harming innocent people. If the person who shot at you from the apartment building ran out of the building and into a crowd of people, you could not shoot at him or her without endangering others.

The one exception to the requirement for target isolation is called the “greater danger exception.” Essentially, this exception allows you to shoot without target isolation if the consequence of not stopping the threat would be worse than the possibility of hitting an innocent person. For example, if a deranged subject were randomly shooting people, you might be justified in firing without target isolation because if not stopped, the suspect could be expected to continue shooting. The chance that your bullet might strike an innocent person is preferable to the likelihood of the suspect killing or injuring many others.

### ***Totality of Circumstances***

Your judgment in a deadly-force situation is based on your reasonable perception of threat, based on the totality of circumstances known to you at the time. For example, if a suspect points a pistol at you, you are justified in using deadly force. If it turns out later that the suspect’s gun was unloaded, that does not make your decision unjustified. Your perception of the threat was reasonable, under the circumstances.

The purpose for using deadly force, as presented in the Intervention Options, is to *stop a threat*. Accordingly, *when the threat stops, you must stop shooting*. Again, your judgment as to whether the threat has stopped is based on your reasonable perception of the totality of the circumstances at the time.

### ***Defense of Society at Large***

Deadly force is most commonly used in defense of self or others. However, in uncommon circumstances it may be used in defense of society at large—to make an arrest or prevent the escape of a dangerous subject. This was addressed by the U.S. Supreme Court in *Tennessee v. Garner*.

In *Tennessee v. Garner*, the U.S. Supreme Court said, “*Where the suspect poses no immediate threat to the officer and no threat to others, the harm resulting from failing to apprehend him does not justify the use of deadly force to do so...A police officer may not seize an unarmed, nondangerous suspect by shooting him dead.*”<sup>vi</sup>

Conversely, you may use deadly force to apprehend a criminal suspect who has used or threatened to use deadly force against someone, and presents a continued threat to the public, and you reasonably believe there is no other way to make the arrest or retain custody of the person once arrested. In any case the

officer should not use deadly force unless he/she reasonably believes it is necessary to capture a dangerous suspect, and then only as a last resort.<sup>vii</sup>

In these cases the “has caused” element of subject behavior becomes the focus of attention in an officer’s use of deadly force:

*Behavior which has caused or imminently threatens to cause death or great bodily harm to you or another person or persons*

In all such cases, the officer should warn the subject, if feasible, prior to using deadly force.

These situations are fact-intensive inquiries, and are not easily reflected in abstract analysis. As always, follow your agency’s policy and consult your training officer with any questions.

These examples help illustrate when an officer may use deadly force:

<b>Fact Pattern<sup>6</sup></b>	<b>Use of Deadly Force Would Be...</b>
A knife-wielding subject is threatening people a few steps away.	Reasonable under “defense of others”
A subject armed with a firearm threatens you and other officers in his line of sight.	Reasonable under “defense of self”
An unarmed subject with an arrest warrant for serial murders is running away from you, faster than you can run.	Reasonable under “defense of society at large”

Thus, officers have two types of situations where they may use deadly force—in defense of themselves or others, or in defense of society at large.

---

<sup>6</sup> These examples are designed to illustrate *some* of the considerations relevant to deadly force decision making. Every use of force must be judged based on the totality of the circumstances known to the officer at the time, and not just limited snippets as used in these examples.



# USE OF COVER

Throughout this manual, we have emphasized the importance of moving to cover whenever possible. This section discusses techniques for shooting from behind cover. First, however, we need to understand what cover is.

## WHAT IS COVER?

The term *cover* is often used very loosely. Hunters and birdwatchers talk about their quarry being in dense cover. Law enforcement officers talk about officers operating under cover to infiltrate gangs or drug rings. In firearms training, cover has a very specific meaning.

### Definition of Cover

Cover, in the context of firearms training, is defined as

***anything that will stop an incoming round.***

What constitutes cover in a particular situation depends on what your adversary is aiming at you. The material in a ballistic vest, for example, that will stop a handgun round, may be useless against a rifle round. Since you may not know what weapons your adversary has, you should always seek the best cover available to you.

### Cover vs. Concealment

Many objects will make it more difficult for an adversary to shoot you by keeping him or her from seeing where you are. An ordinary interior wall, for example, constructed of 2x4's and drywall will conceal you from a shooter, but it won't stop a bullet. Even a seemingly solid concrete block wall is mostly composed of air—concrete blocks are hollow. Natural objects such as bushes and tall grass may conceal you, but they will not stop incoming rounds.

Generally speaking, the thicker and more solid an object, the better cover it provides. A large tree trunk, a solid concrete wall, a structural steel column—all these can provide useful cover.

While concealment can be extremely useful, it does not take the place of cover.

## HOW TO USE COVER

*Failure to use available cover is a common theme among officers killed.*<sup>7</sup> When you recognize a suspect may be armed, you should immediately look for and move to any available cover.

Cover can stop incoming rounds, but it does not do anything to stop the adversary from continuing to fire. To do that, you generally have to shoot back. Proper use of cover allows you to fire at the threat while minimizing your exposure to incoming rounds. Three basic principles underlie the proper use of cover

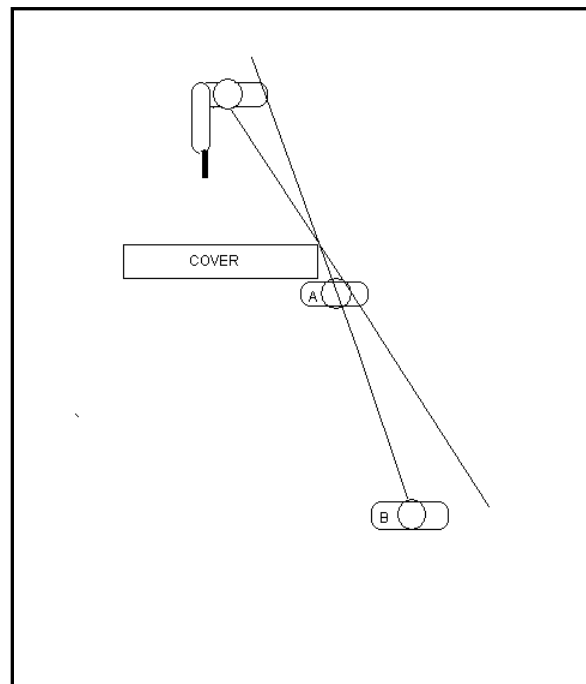
- *Conform to cover*—expose only your weapon and your master eye.
- *Use your weapon as your "third eye"*—if your eyes move from behind cover, your weapon does too.
- *Leave cover only to gain a tactical advantage*—by moving to better cover, for example.

### Conform to Cover

Any part of you that is not behind cover is vulnerable. You must conform your shape to the shape of available cover. This may mean standing behind a tree, kneeling or squatting behind the engine block of a vehicle, or lying on the ground behind a traffic barrier. Whatever position you must take, maintain a stable shooting platform. The next chapter discusses different shooting positions.

Avoid the temptation to "hug" your cover by plastering yourself up against it. Doing so has two disadvantages:

- You may have to expose more of yourself than necessary in order to see an adversary (see adjoining Figure);
- You may be hit by shrapnel if your adversary's round strikes the edge of your cover.



*Officers A and B have the same view of the subject—but Officer A must expose much more of himself to the subject's view.*

<sup>7</sup> For example, at least eight California officers murdered between 1995 and 1999 failed to use cover, or left available cover. <http://lib.post.ca.gov/Publications/55677885.pdf>, downloaded 2/28/14.

## **Use Your Weapon as Your "Third Eye"**

Anytime that you move your head out from behind cover to see whether an adversary is a continuing threat, and if so, from what location, you must be ready to shoot. Maintain a good shooting platform, holding your weapon in the tactical ready position. In this position, the weapon does not interfere with your view, but can be raised to a full fire position very quickly. The muzzle of your weapon is your "third eye"—located just below your master eye. *Never* stick your head out from behind cover—even a tiny bit—unless your weapon goes too.

## **Leave Cover Only to Gain a Tactical Advantage**

While you are better off behind cover than without cover, you may find yourself in a situation in which you could improve your tactical position by moving. For example, if you had taken cover behind a small tree, and a much larger tree was nearby, it might be a good choice to move to it. Or perhaps the suspect had retreated to a building, other officers had established a perimeter, and you could safely disengage and wait for a SWAT team to assemble. If you must leave cover, follow these principles:

- Move laterally, if possible, rather than directly away from your adversary—you will be a more difficult target.
- Move in a zigzag pattern if you must move directly away from your adversary.
- Keep moving—pause, if needed, only behind cover. However, as will be discussed further in Tactical Response, you have only three to five seconds before the subject can track and fire on you.

## **SHOOTING FROM BEHIND COVER**

In order to fire, you must move your weapon and your master eye out from behind cover. You cannot fire blindly—remember, you must have target acquisition, target identification, and target isolation before you can fire a round. Two techniques are used for engaging threats from cover:

- "Slicing the pie" (also called "metering")
- Repositioning

### **Slicing the Pie**

Metering is used in room clearing and other situations, and is a key tactical technique. Here's how it works:

1. Move your head and weapon slightly out to the side of cover. (See Position and Movement, next chapter for a detailed description.)
2. Visually clear the "slice" of area you can see.
3. If you don't see an adversary, move a little farther, bringing more area into view (another slice).

4. Continue in the same fashion, gradually clearing more and more of the area in front of cover.
5. If you move gradually and do not "hug" your cover, you will probably see the edge of an adversary's body before he or she sees you. If you see someone, issue verbal commands. Be prepared to shoot.

Example: "*POLICE! Show me your hands!*"

When you slice the pie, you slowly clear more and more area. Once you have visually cleared an area, don't "give it up" by returning to cover. If you move back behind cover, you will have to clear it again—if you cannot see it, you don't know whether someone has moved into it. Slicing the pie gives you the tactical advantage of gradually decreasing the size of the unknown area in which an adversary may be waiting. It is generally the best choice, except under two conditions:

- If the area in front of cover cannot be visually cleared—it contains concealment for an adversary, such as bushes, or other objects;
- If you encounter an adversary who is "locked in" on you—that is, who has target acquisition.

If the area in front of cover offers concealment, you cannot visually clear it, and to continue to remain exposed would be extremely dangerous. If an adversary is locked in on you, you cannot react quickly enough to shoot before being shot, because you will need to identify the threat, carry out your target requirements, and bring your weapon to bear before you can pull the trigger. In this situation, reposition before firing.

## **Repositioning**

If you encounter an adversary who is locked in on you, move back behind cover and reposition (for example, if you were standing, kneel) before moving out again to shoot. Here is the basic procedure:

1. If you encounter the adversary (not locked in), carry out your target requirements, and engage the target.
2. Move back behind cover and reposition.
3. Move out again, from a different location, carry out your target requirements, and engage the target again.
4. Continue until the threat is stopped.

Repositioning provides you with the tactical advantage of preventing your adversary from locking in on you, because he or she does not know where you will appear next. It has the disadvantage, however, that each time you return to cover, you no longer can see what is going on--the adversary may be repositioning, too. Thus, whenever you move out again, you must assume that conditions have changed. Once you have dominated a position, don't move back unless the threat dictates it.

## Shooting

When you challenge a suspect or shoot from behind cover, your object is to expose as little of yourself as possible. Regardless of whether you are shooting from a standing or kneeling position, or from the strong side or reaction side of cover, the same techniques apply:

1. Starting from the tactical ready position, shift your weight forward, so that your shoulders are in front of your hips, and your weight is balanced on the balls of your feet. Your knees will be slightly bent.
2. Lean your upper body slightly to the side to allow your weapon and your master eye to move past the edge of cover. Do not let any part of the rest of your body extend beyond cover—including your feet.
3. If you are slicing the pie, when you have visually cleared an area, move your feet slightly so that you remain balanced while you lean out to clear the next "slice."
4. If you are repositioning, assume a kneeling position or shift to the other side of cover for your next move out.

THIS PAGE INTENTIONALLY LEFT BLANK

# POSITION AND MOVEMENT

You have already learned how to shoot while standing upright. But what if you have cover that is only four feet high? You certainly don't want your head and chest sticking up over the top. What if you have to move and shoot at the same time—while moving to cover, for example? This chapter presents guidelines for shooting from different positions and while moving.

## SHOOTING POSITIONS

Earlier in Firearms you learned the basic tactical shooting stance. That stance permits a fairly stable shooting platform that also allows the shooter to be mobile. In this section we will discuss other positions that are even more stable, but are somewhat less mobile. These positions include three kneeling positions and the rollover prone. As we move from standing to kneeling to rollover prone, stability increases while mobility decreases.

### Kneeling Positions

The positions described here differ from the standing tactical shooting position primarily in the position of the legs; the upper body remains essentially unchanged, although it may receive better support. The three kneeling positions are the

- Double kneel
- High kneel
- Low kneel

#### ***Double kneel***

The double-kneel position is exactly the same as the tactical stance, except that both knees are on the ground. See Figure 12. Your body is upright, with your shoulders over your hips. This position can be assumed very quickly and recovered from easily:

1. From the tactical stance, drop onto your knees. Make sure that your knees are aligned as your feet would be if you were standing (shoulder width apart, strong side slightly back.)
2. Curl your toes up so that the balls of your feet are on the ground.
3. Either keep your body fully upright (hips not flexed) or sit back onto your heels, with your torso remaining upright.

4. To get up, raise your reaction-side knee, place the reaction-side foot on the ground, and stand up.

### ***High kneel***

The high kneel provides a fairly stable shooting platform (although not quite as stable as the double kneel), and it is easy to assume and recover from:

1. From the tactical stance, step forward with the reaction-side foot.
2. Drop down onto the strong-side knee. Your reaction-side knee should form a right angle. The toes on your strong-side foot should be curled up so that the ball of your foot is in contact with the ground.
3. Keep your body fully upright (hips not flexed).
4. To get up, simply stand up.



Figure 14: Double Kneel



Figure 15: High Kneel



### **Low kneel**

The low kneel allows the shooter to keep a lower profile, while providing exceptional stability to the shooting platform. (See Figure 16.) It is a little more difficult to get into and out of:

1. From the high kneel, sit back onto your strong-side foot. Note: Your strong-side foot can either be in the high-kneel position (toes curled and ball of foot on the ground) or on its side, with the toes pointing to your reaction side. In the first option, simply sit down on your heel. In the second, sit on the inside of your foot.
2. Support your shooting platform by resting your reaction-side arm on your reaction-side knee. Place your elbow slightly forward of the knee to avoid bone-on-bone contact.
3. To get up, rock forward to the high-kneel position, and stand up.



Figure 16: Low Kneel

All of the kneeling positions provide a balance between stability and mobility, and allow the shooter to conform to medium-height cover (e.g. the engine block of a car). If the cover is very low or if there is great need for stability, a better choice is the rollover prone position.

### **Rollover Prone**

In a prone position, the shooter is lying on his or her stomach. The rollover prone is a modified prone position that is more comfortable and that presents a very small target to an adversary. It is a very stable shooting position allowing great accuracy even at longer distances, but it is the least mobile. (See Figure 17.) To assume the rollover prone position:

1. Draw to the tactical ready.
2. Move to a double-kneel or high-kneel position.

3. Keeping the weapon pointed down range, place your reaction-side hand on the ground in front of you, and use it to lower your body to the ground.
4. Roll up slightly onto your strong side. Your strong-side arm should be extended forward toward your target, and your body angled toward your reaction side.
5. Rest your face against your strong-side biceps and establish a two-handed shooting grip on your weapon. The weapon may be canted slightly.
6. Bend your reaction-side leg for stability, keeping the knee on the ground.
7. If possible, while maintaining a good sight picture, rest your reaction-side elbow on the ground.



Figure 17: Rollover Prone

To recover from the rollover prone position:

1. Keeping the weapon pointed down range, place your reaction-side hand on the ground in front of you.
2. Push yourself up to a double-kneel position.
3. Raise your reaction-side knee, place the reaction-side foot on the ground, and stand up.

Depending on circumstances, you may have to shoot from other positions—squatting or sitting, for example. Regardless of the position, your goal should be to establish a shooting platform that is stable and as close to your normal shooting platform as possible, while conforming to available cover.

## SHOOTING WHILE MOVING

If you are in a deadly force situation, facing an armed adversary who is shooting at you, *you must move*. If you stand still you will probably be shot. Moving gives you several advantages:

- You present a more difficult target.
- You make your adversary react to your decisions, instead of vice-versa.
- You can improve your location by moving to cover or gaining an advantageous position.

You can move while drawing your handgun. When you side-step during the draw you move off the “line of attack” and make it more difficult for your assailant to target you. While your body moves off the line of attack, your draw remains isolated and efficient. You then continue moving towards cover, concealment, or to better your tactical situation.

If you can also shoot while you are moving, you increase your tactical advantage considerably. Remember that you must *keep moving*—even while clearing a malfunction or reloading. Standing still invites death.

Shooting while moving requires that you be able to maintain a stable shooting position, even in motion, and that you stay balanced and avoid falling. The basic technique for moving while shooting is the *roll step*. (See Figure 18.)

### The Roll Step

When you walk normally, your head and shoulders move up and down as you take each step. That up-and-down motion interferes with accurate shooting. With the roll step, your goal is to keep your upper body moving smoothly with very little vertical motion. In normal walking, you commit your body weight to your front foot as you take each step. With the roll step, you wait to transfer your weight until your front foot is securely planted. To walk in the roll step:

1. Keep your knees bent and your center of gravity lowered. This allows your legs to act as shock absorbers to minimize vertical motion and keeps you more stable.
2. Take small, half-length steps.
3. When walking forward, plant your heel, and then roll your weight across the ball of the foot to the toe. When walking backward, plant your toe first, and then roll your weight across the ball of the foot to the heel. Use your toes as your “eyes,” to ensure that the footing is good.
4. Move only as fast as you can also maintain balance and muzzle control.



Figure 18: Roll Step

The roll step allows smooth movement forward and backward—but if you have a choice, always go forward. We have a great deal of practice walking forward, and very little walking backward. Because our eyes are in front, we can safely go forward much faster than we can go backward.

### **Moving Laterally**

You may need to move laterally—that is, cross in front of a target or move to the side to cover. Even if your direction of travel is sideways to your target, use the roll step and keep your toes pointed in the direction of travel. Do not move your feet sideways in a step-slide or cross one over the other in a "grapevine" fashion.

If you are moving laterally toward your *strong* side, you can use your normal shooting platform while roll-stepping forward. Simply turn your torso toward the target. If you are moving toward your *reaction* side, you have two choices:

- Roll-step forward and shoot one-handed, with your strong arm extended toward the target.
- Roll-step backward and shoot two-handed, turning your torso toward the target

Because you will be more likely to maintain your balance better while roll-stepping forward, moving forward is preferable if you can shoot one-handed accurately. The next section discusses one-handed, or unsupported, shooting.

# SPECIAL CIRCUMSTANCES

So far, we have addressed law enforcement shooting in "ideal" circumstances—a single adversary at a convenient distance, an uninjured officer in a standard shooting position, in good lighting. Unfortunately, the reality is that many law enforcement shootings occur near innocent bystanders, involve more than one adversary, may take place at very close distances, sometimes involve injured or seated officers, and often take place in low light or darkness. This section provides guidelines for managing these special circumstances.

## INNOCENT BYSTANDERS

Position "Sul"<sup>8</sup> is a gun safety position that allows you to move in any direction with a drawn firearm without violating Safety Rule #2—"never let the muzzle cross anything you are not willing to destroy." It is used when maneuvering around other officers, in a crowd, or among innocent bystanders. It is not a threat confrontation position—you would use the Tactical Ready position to confront a threat. However, the Tactical Ready position would violate Safety Rule #2 if used in a crowd or while standing behind another officer. When Position Sul is performed properly, the handgun is secure; your weapon does not point at other people; and your weapon does not point at your own feet or legs. Ensure the weapon is pointed straight down in front of you. To perform this technique properly:



Figure 19: Position Sul

1. Your strong hand will maintain a secure grip on the handgun, with trigger finger off the trigger and outside the trigger guard.
2. The reaction hand palm is placed flat against the solar plexus, thumb pointing up with fingers extended and parallel to the ground.
3. The handgun is pointed directly at the ground, with the handgun's slide held against the back of the knuckles of the reaction hand.

---

<sup>8</sup> Developed and named by Max Joseph. "Sul" rhymes with "tool" and means "south" in Portuguese.

4. Keep the middle knuckle of the shooting hand in contact with the index finger of the reaction hand, and extend the strong hand's thumb towards the reaction hand thumb so both thumb tips touch. The knuckles and thumbs serve as reference points for your grip.
5. Ensure that the muzzle is pointed straight down, not to the front or side of the officer.
6. Relax your elbows against your sides.

If a threat appears, push the handgun towards the threat, pivoting at the thumbs as your hands come together in a firing grip. To return to Sul, pivot at the thumbs as the handgun is brought into the protected position.

## **MULTIPLE ADVERSARIES**

If you are faced with multiple adversaries, you are in a very serious situation. While this section describes techniques for engaging multiple adversaries, your best option may be to disengage. If you are outnumbered, you are starting at a serious disadvantage. If you must engage multiple adversaries, three basic principles apply:

- Start moving immediately.
- Stop the primary threat first.
- Then stop remaining threats one at a time.

Let's look at these in more detail.

### **Start Moving Immediately**

Your priorities in moving should be to gain cover, concealment, or better positioning—in that order. If cover is available, start moving toward cover. If your cover is close at hand, get there as soon as possible. If it is farther away, use the roll-stepping technique described in the last chapter, firing as you move toward cover. If only concealment is available, head for that while continuing to fire. While concealment will not stop bullets, it makes you a more difficult target and may make it possible for you to disengage or move to cover by hiding your movements from your adversaries.

If neither cover nor concealment is available, gain a tactical advantage by moving to a better position. What constitutes better positioning? That depends on the situation. Some of the possibilities are:

- Moving farther away. The more distance you have, the smaller target you present.
- Moving closer. If your adversary has a rifle and you have a handgun, you need to be within handgun range to fight effectively.
- Moving to "stack" your adversaries. If you can move to a position where one adversary is behind the other with respect to you, you have created a useful crossfire. The more distant adversary can't shoot at you without risking the closer one.

- Moving to put your adversaries at a disadvantage—for example, moving to a position where they are blinded by the sun, but you have it at your back.

Even if you cannot identify a better position, move anyway—it requires your adversaries to react to your decisions and makes you a more difficult target.

### **Stop the Primary Threat First**

You will be most effective if you focus on one adversary at a time. If you try to engage multiple targets at once, you will be less accurate because you will constantly have to re-acquire a target. Focusing on the primary threat will take some discipline, especially if you are being shot at by several adversaries.

Nevertheless, continue to fire at the primary threat until he or she ceases to present a threat—until he or she surrenders, runs away, or can no longer fight. As always, your primary target is the central nervous system, in order to stop the threat as quickly as possible.

The primary threat is the person who poses the greatest immediate danger to you. To determine that, consider the circumstances, including these factors:

- Distance. Generally the closer the adversary, the more dangerous they are.
- Weapon. The more powerful or effective the weapon, the more dangerous (for example, shotgun vs. knife) it is.
- Intent. The more aggressive, the more dangerous.

### **Stop Remaining Threats One at a Time**

Once your primary threat ceases to be a threat, re-evaluate the remaining adversaries, and engage the next primary threat. When you have stopped that threat, repeat the process until no more threats remain. Remember, throughout this process, that you must *keep moving*, unless you are behind cover.

To shift from one target to the next, use the *Look-Shoot* technique:

1. With your weapon still pointed at the first target, move your eyes to the next target;
2. Keeping your eyes locked in on the new target, move your weapon until the sights are in front of your master eye.

If you use this technique, you will be able to bring the weapon right on target with no wasted motion. If you try to move both your eyes and your weapon at the same time, your weapon will swing past the target, and have to be brought back.

## CLOSE COMBAT

The closer you are to your adversary, the less time you have to act. An adversary 20 yards away from you must carefully sight his or her weapon to be assured of an accurate shot, but an adversary only two feet away can merely point the weapon and shoot. Additionally, close combat exaggerates the effect of the *reactionary gap*.

### Reactionary Gap

Before you can begin to counter a suspect's act, you must *perceive* the act, *identify* the need to react, and *decide* to react.<sup>9</sup> This interval, during which your brain is receiving and processing information, is called the reactionary gap. For most people, the reactionary gap is at least 1/2 to 3/4 of a second—and often much longer. If you only react to the other person's action, you will never catch up. For example, if a suspect draws a weapon, and you react only by drawing your own weapon, you will probably be shot before you can get your weapon out of the holster.

If you are confronted with an armed adversary within a very few feet, instead of merely reacting, you must also initiate an action. By doing so, you may catch your adversary off guard and put him or her on the other side of the reactionary gap.

### Options for Close Combat

If you are suddenly confronted with an armed adversary at close quarters—a person suddenly draws a weapon, for example—your first action is to *move*. By moving, you force the suspect to react to your action, rather than the other way around, and you may be able to gain a tactical advantage by increasing the distance between you or moving toward cover.

#### ***Step-slide.***

When you are within a few feet of an adversary, rather than using the roll-step described earlier, you will be better able to maintain your balance by using a technique called “step-slide.” To step-slide,

1. Take a step—forward, back, or to the side—with one foot, while keeping the other foot in contact the ground.
2. Slide the other foot toward the first foot, keeping it in contact with the ground.
3. Take another step—with either foot—and repeat the step-slide movement until you are in a position to roll-step or run.

---

<sup>9</sup> Boyd's OODA loop: Observe, Orient, Decide, Act.



By keeping both feet in contact with the ground, you are less likely to lose your balance, even if struck or pushed by the subject.

If confronted with an armed adversary at close range, you have three basic options for managing the situation and gaining control:

- Attempt to disarm the suspect
- Disengage
- Escalate

These can be combined: for example, you could disengage briefly to gain distance and then escalate to achieve control.

### ***Attempt to Disarm***

In DAAT training, you learn techniques for disarming suspects. Remember that these techniques are only viable at very close ranges and if unsuccessful, leave you in a vulnerable position. If you attempt to disarm a suspect with a gun, remember that the first step is to move to the side, out of the line of fire.

### ***Disengage***

In DAAT training, you learn the Sweep-and-Disengage technique for responding to an armed threat in close quarters. In this technique, you use your hands and forearms to sweep the adversary's weapon aside, then disengage by running forward past the subject to gain distance or reach cover. The sweep distracts the adversary, requiring him or her to react to your action, and your disengagement gives you time and distance.

### ***Escalate***

Escalating when faced with an armed adversary generally means drawing your weapon. At very close distances, you must take steps to prevent the suspect from grabbing your weapon. This means that you may need to alter your shooting position, keeping your weapon closer to you than to your adversary.

## **Shooting in Close Combat**

A normal firing position (arms extended and weapon in front of your master eye) is not the best choice in close quarters. Inside of about six feet, this shooting position puts your handgun closer to your adversary than to you and leaves you at a significant disadvantage if your adversary tries to grab the weapon.

When you learned to draw your handgun, you learned a four-step process that became one fluid motion as you gained proficiency. At Step 2 of this four-step draw stroke, the weapon had cleared the holster and you had turned it to point at the target. In close combat you will fire from Step 2, allowing you to shoot while retaining better control of your handgun. The technique is as follows:

1. Draw your weapon to Step 2 and then cant it slightly away from your body. The cant adds stability and keeps the slide clear of clothing.

2. Clamp your strong arm against your side to stabilize the weapon, dropping your elbow slightly to aim the gun toward your adversary's vital target areas.
3. Raise your reaction hand to block an assault and/or deliver an active countermeasure to your adversary. Keep your arm raised to continue to block further assaults and ensure it's out of your line of fire.
4. Fire if necessary.



Figure 20: Shooting in Close Combat

### Extremely Close Quarters

You may have to shoot an adversary at such a close distance that the muzzle of your weapon could come into direct contact with the suspect. For example, you might be suddenly assaulted or your adversary may be grappling with another officer.

However, if the muzzle of your pistol is placed directly against the clothing or skin of your adversary, the slide may be pushed out of battery which would prevent your handgun from firing. Therefore, you should orient your bullet's impact by touching the desired target point with the muzzle of your weapon (indexing) and then pulling back a few inches before firing.

In highly dynamic situations involving a great deal of movement, you may need to stabilize your adversary to prevent your rounds from causing unintended injury to someone else. For example, if your partner is fighting a lethal threat on the ground you will want to minimize the danger of shooting your partner instead of the adversary. To do so, you will stabilize your adversary by using your reaction arm to "hook up" with the adversary before firing, either by grabbing under the arm or by stabilizing the head. You can then control the adversary's movement while you index your pistol's muzzle and shoot.

## UNSUPPORTED SHOOTING

While a two-handed grip provides better stability, leading to better accuracy, in some circumstances, you may have to shoot one-handed. Such circumstances include these and others:

- If one hand or arm is injured.
- If you are moving laterally toward your reaction side.
- If you need to use your reaction hand for another purpose, such as to block an assault or stabilize a second subject.

Whether you shoot with your strong hand or reaction hand, you will find it helpful to rotate your wrist to cant the weapon slightly inward. (See Figure 21.) Doing so increases stability by enabling more forearm muscle tension. Grip, sighting, and trigger control remain the same. You may be surprised at how well you can shoot one-handed, even with your reaction hand.



Figure 21: Unsupported Shooting

Other aspects of weapon-handling are more difficult if you cannot use one of your hands. Here are necessary one-handed techniques:

- Drawing with your reaction hand;
- Reloading
- Clearing malfunctions

## **Drawing with the Reaction Hand**

Obviously, given a choice, you will draw with your strong hand. If, however, your strong hand is injured or otherwise disabled, you can draw with your reaction hand. Here's how:

1. Reach over to your holster with your reaction hand, and draw the weapon partway out of the holster. If you have internal retention devices, this may be more difficult.
2. Turn the weapon 180° in the holster, so that the butt is pointing forward. If you have a light mounted on your handgun, you might place the handgun between your knees and squeeze your legs together. Then re-grasp the weapon and establish a proper shooting grip.
3. Re-grip the weapon, establishing a proper shooting grip with your reaction hand.
4. Draw the weapon.

## **Reloading**

### ***Reloading in battery***

Reloading in battery one-handed is essentially the same, whether you are using your strong hand or reaction hand:

1. Press the magazine release with your thumb if the weapon is in your right hand or with your index or middle finger if the weapon is in your left hand. If the magazine falls free, let it drop.
2. Place the weapon in the holster or in a side pocket, whichever is more convenient. The object is to hold it firmly while you insert a new magazine. Other methods, such as placing the weapon between your knees, in your waistband, or under your arm may also work, but they limit your mobility and potentially endanger others.
3. If the old magazine did not fall free, remove it. Then insert a new magazine, making sure that it is oriented with the rounds pointing toward the front of the weapon.
4. Re-grip the weapon and bring it back on target.

### ***Reloading out of battery***

To reload out of battery one-handed, follow the same procedure as above, with one additional step:

5. Press the slide stop lever to let the slide go forward. Use your thumb if the weapon is in your right hand, and your index finger if the weapon is in your left hand.

## **Clearing Malfunctions**

As with two-handed shooting, if you have a malfunction, you should clear it behind cover if cover is available. You do not want to expose yourself to incoming fire if your weapon is not able to function.

### ***Phase 1 clear***

To perform a Phase 1 clear one-handed:

1. Tap the butt of the weapon against your knee or another firm surface to ensure that the magazine is fully seated.
2. Rack the slide by hooking the top of the slide, near the front sight, against your holster or other firm edge (boot heel, vehicle part, etc.) and pushing the weapon forward. If your pistol does not have “anti-snag” rear sights, you can use the rear sight against your holster or other firm edge.
3. Bring the weapon up on target and attempt to fire if needed.

### ***Phase 2 clear***

To perform a Phase II clear one-handed:

1. Press the magazine release with your thumb if the weapon is in your right hand or with your index or middle finger if the weapon is in your left hand. If the magazine falls free, let it drop. If not, place the weapon in your holster or side pocket, and remove the magazine.
2. Rack the slide twice, by hooking the top of the slide, near the front sight against your holster or other firm edge and pushing the weapon forward. If your pistol does not have “anti-snag” rear sights, use the rear sight against your holster or other firm edge.
3. Place the weapon in your holster or side pocket, and insert a new magazine, making sure the rounds are pointed toward the front of the weapon.
4. Charge the weapon, using your holster or other firm edge to cycle the slide.
5. Re-grip the weapon and bring it up on target. Attempt to fire if necessary.

## **SHOOTING WHILE SEATED**

You may need to draw and fire your weapon while seated, either in a vehicle or at a table or desk. In either situation, movement to the rear is restricted, making your normal draw difficult. If you are in your vehicle, your movement is further restricted, making shooting to the side difficult. In addition, shooting through the glass in vehicle windows presents other challenges. This section discusses these issues as well as how to use your vehicle as cover while being prepared to shoot from it, as you need to do during a high-risk vehicle contact.

## **Drawing While Seated**

Because movement to the rear is restricted, you cannot use your normal draw stroke, since it requires the elbow to move to the rear of your body. Instead, follow this procedure:

1. Push your hips forward.
2. Turn your hips to bring your holster toward the front of the seat, while at the same time rotating your knees toward your reaction side.
3. Draw your weapon, being careful not to let the muzzle cross any part of your body.

Once you have drawn the weapon, you can reorient yourself to the most advantageous position.

Shooting from a seated position puts you at an inherent disadvantage because your mobility is limited. Consider opportunities to disengage or move to cover.

## **Shooting From a Vehicle**

If you are in a vehicle and are subjected to a sudden assault, you may have to fire your weapon to the driver's or passenger's side or through the windshield.

### ***Automotive glass***

The glass in the side windows of an automobile is designed to shatter on impact into small, rounded pieces. A bullet fired at approximately 90° to a side window will pass through the glass with little deformation, deflection, or loss of velocity. It will also cause most of the glass to fall, leaving an unobstructed window. (If aftermarket tinting has been applied to the window, the glass will still shatter, but the pieces may hang suspended by the plastic tinting material.)

The glass in the windshield is laminated safety glass in which a thin layer of plastic is sandwiched between sheets of glass. A bullet passing through a windshield will experience significant deformation, deflection, and loss of velocity, and it will leave only a small hole. A bullet fired out through a windshield from inside the car tends to deflect upward, while one fired in through a windshield from outside the car tends to deflect downward. Subsequent rounds will behave the same way unless they are fired through the hole made by an earlier bullet. If you have to fire through a windshield, you can expect that you will have to fire multiple rounds, each time trying to put the round through the same hole.

### ***If your strong side is next to the door***

If your strong side is against the door (ex: a left-handed shooter in the driver's seat), you can use your normal two-hand grip to shoot toward the front of the vehicle or towards the open (non-door) side. To shoot toward the closed (door) side, follow this procedure:

1. Shift your weapon to your reaction hand;
2. Lean away from the door, so that the muzzle does not touch the glass;
3. Hold the weapon in a two-handed grip, four to six inches away from your face and fire as needed.

### ***If your strong side is away from the door***

If your strong side is away from the door, use your normal two-handed grip to shoot toward the front or the closed (door) side, leaning slightly away from it to prevent the muzzle from touching the glass, and keeping the weapon four to six inches away from your face. To shoot toward the open side, hold the weapon in your strong hand, and shoot one-handed, as described in the section on unsupported shooting.

### **Using a Vehicle as Cover**

If you are seated in a vehicle and may need to shoot toward the front, as is the case in a high-risk vehicle contact, make maximum use of the cover your vehicle offers. Keep as much of your body as possible behind the engine block. This means that you must slide down to keep your head below the dash or behind the windshield post. Hold your weapon just to the outside of the windshield post, in the gap between the post and the open door. Use a two-handed grip if possible. Keep your feet inside the vehicle, behind the firewall.

Avoid the temptation to partially exit the vehicle and use the door as "cover." A car door and window may provide concealment, but they are not cover—most high-velocity pistol and rifle rounds will go through a car door with little deformation, deflection, or loss of velocity.

If you are shooting to the side of a vehicle, try to shoot under or around the vehicle instead of shooting over the top. The engine, axles, rims, and brake pads are low on the vehicle, but provide the best cover. The rest of the car is merely concealment. Furthermore, rounds fired at an officer shooting over a hood or trunk may "skip" off the flat metal surface and be deflected into the officer. By shooting around or under the vehicle, you will reduce your profile and maximize the use of cover.

## **SHOOTING IN LOW LIGHT OR DARKNESS**

Research shows that most law enforcement shootings occur in conditions of reduced light or darkness.<sup>10</sup> Darkness can conceal threats, and low light levels make it more difficult to identify whether a person may be holding a weapon.<sup>11</sup> Misidentification could result in a "mistake of fact" shooting where an officer

---

<sup>10</sup> Studies estimate [77% of incidents occur in low-light](#), to 62%/43% occurring at night (NYPD's annual *Firearms Discharge Report*, 2007/2008.)

<sup>11</sup> *Visual Perception in Low-Light Levels: Implications for Shooting Incidents*. FBI Law Enforcement Bulletin, May 1998.

mistakenly believes a suspect was armed. Thus, you must be able to use a flashlight and weapon at the same time.

In some dim light situations there will be enough available light for you to acquire, identify, and isolate your target and accurately aim your weapon. In these cases you can simply use the techniques and training you have already learned.

In other situations, you may already have your flashlight in your reaction hand, or it may be so dark that you cannot acquire, identify, and isolate your target without a flashlight. When you use your flashlight you can locate and identify your target and shoot accurately. On the other hand, if you do not use your flashlight you may not be able to see whether the silhouette in the dark is the suspect or an innocent bystander. If you shoot when you know only an approximate target location, you are likely to miss and your weapon's muzzle flash will still reveal your position.

Be aware that using a flashlight will reveal your presence and approximate location. However, you will learn techniques to mitigate this effect, and even take advantage of your flashlight to reduce your adversary's ability to target you.

As with most tactics, whether to use your flashlight or not depends on your evaluation of the particular situation. Ask yourself if the advantage the flashlight will give you in locating and identifying your target is greater than the possible drawback of your adversary locating you.

### **Guidelines for Using Your Flashlight**

If you decide to use your flashlight, follow these guidelines to maintain a tactical advantage while searching:

- Turn the light on only briefly.
- Use the light to disorient your adversary.
- Move immediately after using your light.
- Avoid backlighting yourself or other officers.

#### ***Turn the light on only briefly***

As noted, when you turn on your flashlight, you not only illuminate your target, you also telegraph your own location. Therefore, you want to minimize the time the light is on—long enough to locate your target but not long enough to allow your adversary to lock in on you. Two techniques are commonly used:

- *Blipping* (using short bursts of light at intervals). Blipping is useful for locating a target to allow you to aim your weapon.
- *Strobing* (very rapid flashing of the light). Strobing is useful for giving a general view of an area without clearly signaling your own location. When clearing a dark building, for example, if you strobe your light around a room, you can get see its contents, but a suspect hiding there will have a difficult time telling exactly where you are.



***Use the light to disorient your adversary***

Shining your flashlight directly into a suspect's eyes will make it difficult or impossible for the suspect to see you. The light is aversive, making it difficult for the suspect to keep looking toward it, and it creates a "wall" of light making everything behind it totally dark. Additionally, if you shine your light in your adversary's eyes, you destroy his or her night vision. It will take at least twenty minutes for his or her eyes to readjust to darkness.

***Move immediately after using your light***

Because using your light gives away your position, it makes good sense to relocate—with your light off—every time you use your light. Although your adversary can shoot at your flashlight's location, by the time he or she has locked in on you, you are already in a different place.

***Avoid backlighting yourself or other officers***

Be careful that you do not backlight yourself or another officer. If you do, you give an adversary a silhouette to shoot at. Note that reflected light (off a polished door or glass window) can cause backlighting as well as direct light. Be particularly careful when using team tactics to clear a building or take up a tactical position.



Figure 22: Backlit Officer

### ***Actions on Confronting a Suspect***

When you locate a suspect, you will give commands and assessing the suspect's threat. You may be able to increase your advantage by directing your light into the suspect's eyes to reduce his ability to see. To be most effective, you will leave your light activated instead of blipping and moving. Note, however, that the suspect could target your light even if you cannot be directly observed. Always use cover when it is available.

### **Flashlight-Assisted Shooting Techniques**

Regardless of whether you expect to have to use your weapon, always hold your flashlight in your reaction hand. This allows you to draw your weapon without having to figure out what to do with the flashlight. All flashlight-assisted shooting techniques are done with the flashlight in the reaction hand.

If you have to reload or clear a malfunction during flashlight-assisted shooting, turn the flashlight off and replace it in the holder while you deal with your weapon. If you set it down, it may roll away. If you try to tuck it under your arm, you may drop it.

Three techniques are commonly used for flashlight-assisted shooting:

- The Harries Technique
- The FBI Technique
- Weapon-Mounted Lights

### ***Harries Technique***

The Harries Technique is named after Michael Harries, a California firearms instructor who developed it. The goal of the Harries Technique is to lock the flashlight and weapon together so that they can operate as a unit. To apply the technique:

1. Draw your weapon and bring it up on target.
2. Grasp your flashlight in your reaction hand so that the bulb end is on the little-finger side of your hand.
3. Bring your reaction hand and flashlight *under* your strong hand (which is holding the weapon) and raise it to the level of your weapon.
4. Lock the backs of your hands together. If you have a large flashlight, like the traditional Maglite<sup>®</sup>, you can rest the rear end of the flashlight on your strong-side forearm.
5. Blip the light to locate and identify your target. Fire if appropriate.
6. Move to a different position or location.
7. Blip the target again (if necessary) to locate and identify it. Fire if appropriate.
8. Move to a different position or location.
9. Repeat as needed until the threat has stopped.

While stable, the Harries Technique is tiring if held for long periods of time. Additionally, when the flashlight is on, the beam is located at the officer's high center mass, making it easy for the adversary to fire accurately.

### ***FBI Technique***

The FBI Technique overcomes some of the drawbacks of the Harries Technique, but it requires unsupported (one-handed) shooting. To apply the technique:

1. Draw your weapon and bring it up on target.
2. With your reaction hand, grasp the flashlight and hold it away from your body. As you blip the light, move the light to different positions (raise and lower it, move it slightly right or left).
3. Blip the light to locate and identify your target. Fire if appropriate.
4. Move to a different position and location.
5. Blip the target again to locate and identify it. Fire if appropriate.
6. Repeat as needed until the threat has stopped. Continue to move between blips, making it difficult for your adversary to pinpoint your location.

Note that the strobing technique can be used with either the Harries Technique or the FBI Technique.

### ***Weapon-Mounted Lights***

Weapon-mounted lights have become increasingly common. They have the advantage of allowing two-handed shooting, and allow officers to use “blip” and “strobe” techniques just like the Harries and FBI Techniques. However, these lights are specialized tools that, if carried, must be used properly.

First, these lights share the same concern as the Harries Method. The light is located in the centerline of your body, so a perpetrator who shoots directly at the light is more likely to hit you.

Use your reaction-hand thumb to momentarily activate the light. If you search and leave the light on constantly, you are not employing all your tactical tools, such as blipping or strobing. While many lights have ambidextrous switches, use your reaction thumb to activate the light—your trigger finger should only be used to press the trigger.

You use the tactical ready position when you've located a suspect. Only the corona of a weapon light will shine into a suspect's eyes when you use the tactical ready position. Depending on your flashlight, that may be enough light to take away the suspect's vision. However, use of a weapon-mounted light does not change the proper technique for confronting suspects—the handgun is still directed low enough so you can see the suspect's hands and waist, even if a flashlight is attached to the handgun.

Finally, weapon-mounted lights are not general illumination tools. When mounted on a firearm they are only suitable for use in situations where deadly

force may be required. It would be utterly inappropriate to use a weapon-mounted light to illuminate someone's driver's license, search a vehicle for contraband, or find your way. If you have a weapon-mounted light, you must still have a normal hand-held flashlight.

## **ACTIONS AFTER COMBAT SHOOTING**

You have just fired at a threat, and that threat disappeared from your front sight. You may be experiencing physical and mental changes such as tunnel vision, auditory exclusion, and/or time distortion.<sup>12</sup> You will implement specific actions that increase your survivability, break tunnel vision, and promote control of the shooting scene.

1. Assess, Breathe, Cover, Scan, and Reload
2. Communicate with suspect and dispatch.
3. Plan your approach to your assailant.
4. Approach the subject and begin follow-through.
5. Plan and write your report.

### **Assess, Breathe, Cover, Scan, and Reload**

When you practice a standard procedure every time you perform a range drill, you start to build a sound tactical habit. Every time you finish a string of fire, use autogenic breathing and ask yourself, "Do I need to fight this person anymore? Do I need to fight anyone else? Get ready to fight again!"

#### ***Assess your target!***

You stopped shooting, but the fight may not be over. Assess why the assailant disappeared from your front sight. Scan left, right, up, and down around the suspect's last location. Did your gunfire cause him to fall down? Did she turn away? Did he duck down behind cover? Can you hear your assailant? You may have missed your assailant, or he or she may be wounded but still able to function. Assess whether continued use of deadly force is appropriate.

#### ***Breathe!***

Use autogenic breathing to oxygenate your system. This decreases tunnel vision and improves mental processing.

---

<sup>12</sup> [\*Perceptual and Memory Distortions During Officer Involved Shootings\* \(2008 Update\)](#), Alexis Artwohl, Ph.D. (originally published in the [October, 2002 FBI Law Enforcement Bulletin](#)); and NIJ Journal Issue No. 253: [Police Responses to Officer-Involved Shootings](#).

### **Cover!**

You should already have been moving to cover. Get there now! Keep moving to cover, or, if you are already behind cover, to stay there for the moment.

### **Scan!**

Break your tunnel vision. Look for the perpetrator's partners—you may be faced with multiple assailants. Where are they? Broaden your initial scan of the suspect's last known location to a full 360 degrees, and 90 degrees up and down. Tactically evaluate the situation. Listen for others in the area. Gather information while remaining behind cover.

### **Reload!**

Check your weapon's status. If you fired your weapon, insert a full magazine. If you fired your weapon you no longer have a full magazine, and officers typically underestimate the number of rounds they fired. Even if your weapon is not empty, you will not know how many rounds you have left. Under stress some officers have fired their weapons to slide lock and have not recognized they are holding an empty gun. If you reload, you know you have a full magazine, and you will be prepared if the gunfight resumes.

### **Communicate With the Suspect and Dispatch**

Give loud, clear, firm orders to the suspect. For example, "*Stay down! Put your arms out, palms up! Don't move!*" The suspect may have difficulty hearing you because of injury and physical and mental stresses.

Communicate with dispatch to request assistance and to inform others of the situation. Use this list as a guide:

- Identify yourself, give your location, and state that shots have been fired.
- Tell dispatch whether you are injured.
- Request an ambulance. Identify a safe location for it to stage until the scene is safe.
- Request backup. Give directions for how officers can safely approach the scene to avoid the suspect(s) or prevent a possible crossfire situation.
- If you are in civilian clothing, tell the dispatcher, and describe what you are wearing.
- If possible, repeat the information.

### **Plan Your Approach to the Subject**

Remain behind cover and if possible, wait to approach the subject until backup arrives. Under the stress of being involved in a shooting, you may feel pressure to bring the subject under control—to get it over with. There may be others present who are frightened or hostile. Some may be injured. Resist that pressure. If possible, wait until backup arrives before moving from cover. Just because the subject is down does not mean he or she is no longer dangerous.

Depending on the subject's condition, you may be able to verbally direct him or her to drop or move away from his or her weapon. If so, order the subject to move at least three steps away from the weapon and to leave cover. *Do not leave cover yourself. Never directly accept a weapon from a subject—make the subject put it down and step away.* If the subject is unable (or unwilling) to follow your orders, wait, if possible, until backup arrives to approach.

When backup arrives, decide on the best way to approach while maintaining a tactical advantage. You wish to remain out of the subject's view. If the subject is prone, you will approach from the feet; if supine, you will approach from the head; if on his/her side, you will approach from the back. Plan your approach to avoid crossfire.

### **Approach the Subject and Begin Follow-Through**

Whenever possible, use contact/cover tactics to take the suspect into custody. The contact officer should use cover while approaching, holstering his or her handgun in preparation for handcuffing. The cover officer should monitor the subject with his or her weapon in the tactical ready position. The cover officer must be close enough to fire without hitting the contact officer if the suspect presents a deadly threat. Consider moving in tandem, if necessary, to prevent crossfire issues. Finally, remain aware of other possible threats in the area.

Kicking a firearm away from a suspect is not recommended—the gun could discharge. Instead, try to maintain your tactical advantage by moving the suspect away from the gun, or by securing the gun before handcuffing the suspect.

Assume that the subject is alive and dangerous. Watch for weapons and for movements of the hands. Avoid reaching or leaning directly over the subject, since it puts you at a position of disadvantage.

Begin follow-through:

1. *Stabilize:* Handcuff the subject, even if he or she appears to be dead.<sup>13</sup>
2. *Monitor/Debrief:* Calm yourself, the subject, and others at the scene. Do an initial medical assessment, and treat to the level of your training. Continue to monitor the subject's condition until he or she is turned over to someone of equal or greater responsibility.
3. *Search:* Thoroughly search the subject for other weapons.
4. *Escort:* If necessary, assist in moving the subject to an ambulance or other vehicle for transport.
5. *Transport:* As appropriate, transport the subject to a medical facility or jail.

---

<sup>13</sup> A suspect—even one shot in the head—may only be stunned, unconscious, or “playing dead.” One example of this occurred in [Milwaukee](#).

6. *Turn-over/Release*: As appropriate, turn the subject over to another officer or agency, removing the restraints when appropriate.

If you are the officer involved in the shooting, you will probably be relieved of some of the responsibilities for follow-through as soon as other officers are on the scene.

### **Reporting Deadly Force**

You may have already used your radio to alert other officers of the situation, including that shots were fired and any description of fleeing suspects. After other officers arrive you may be required to provide information that helps protect the safety of the public, allows other officers to begin the investigation, and protects important evidence. Finally, any use of deadly force will be thoroughly investigated, wherein you will be asked to explain your use of deadly force. Depending on department policies and procedures, you might explain your actions in a written report, or in an interview.

### ***Public Safety Statement***

When a supervisor or investigator arrives on scene, many agencies require an officer who used deadly force to answer basic questions regarding what happened. These questions are intended to address immediate public safety needs, and you may not have the right to wait for a lawyer or union representation before answering these questions.<sup>14</sup> As always, follow the process and procedure of your employer.

Agencies have adopted various Public Safety Statements. The one shown is representative of the important, immediate safety questions that might be asked of an officer who employed deadly force.

---

<sup>14</sup> Because the officer is typically ordered to answer these questions, *Garrity* generally prohibits the officer's statement from being used against the officer criminally.

**Public Safety Statement**

*Officer, we are required by policy to complete a public safety statement. Due to the immediate need to take action, you do not have the right to wait for legal or union representation before answering these limited questions.*

1. *Are you injured?*
2. *If you know of anyone who was injured, what is his or her location?*
3. *In what direction did you fire your weapon(s)?*
4. *If any suspects are at large, what are their descriptions?*
5. *What was their direction of travel?*
6. *How long ago did they flee?*
7. *For what crimes are they wanted?*
8. *With what weapons are they armed?*
9. *Does any evidence need to be preserved?*
10. *Where is it located?*
11. *Did you observe any witness(es)?*
12. *Where are they?*

*Officer, in order to preserve the integrity of your statement, I order you not to discuss this incident with anyone, including other supervisors or staff officers. You [are directed to] [may] speak to your legal representative prior to making any further statements regarding this incident.*

Figure 23: Public Safety Statement

**Plan and Write Your Report**

As with any use-of-force incident, you must report your observations and actions. In a deadly-force situation, you must articulate why you reasonably believed that deadly force was justified. Because your report is the foundation for future investigations, testimony, and litigation, it is critical that you thoroughly and completely describe the totality of the circumstances that led up to your use of deadly force.

Follow the guidelines you have learned in Report Writing for writing use of force reports. Remember, the more familiar you are with the basic concepts underlying Wisconsin officers' proper action—the RESPOND model and Disturbance Resolution—the better able you will be to articulate the basis for your use of deadly force.

Depending on your agency policy, you may complete a written report, and/or you may be interviewed. In either case the Use of Force Reporting Guide in the appendix can assist you by providing examples of proper use of force articulation.



# THE SEMI-AUTOMATIC RIFLE

Handguns have been the primary law enforcement weapon since the nineteenth century. Handguns are small enough to be carried at all times, so the officer can react to unexpected emergencies. However, law enforcement agencies have long recognized that rifles offer significant tactical advantages in high risk events.

Most law enforcement officers have a long gun available for high risk calls. Shotguns are an effective weapon system, but more and more agencies are adopting rifles. If your agency uses shotguns, you will receive additional training at your agency. This course will prepare you to maintain, operate, and deploy a rifle on patrol.

## DEPLOYMENT CONSIDERATIONS

When compared to rifles, handguns have significant limitations. Handguns are less powerful than rifles, and handguns are more difficult to shoot accurately. An officer with a rifle can make hits quicker and stop lethal threats faster.

Rifles are more accurate and more powerful than handguns, giving officers a tactical advantage.

### When to Deploy a Rifle

You should deploy a rifle on every call that could reasonably be expected to potentially result in a gunfight. If a suspect is believed to be armed, or could reasonably be expected to be armed, you should deploy a rifle to maintain a tactical advantage. Examples of appropriate high risk “rifle” calls include alarms, high risk traffic stops, burglaries in progress, shots fired, suspect with a gun, *etc.*

In the past some officers have hesitated to deploy rifles because they lacked an appreciation of their rifle’s capabilities. A few of these misunderstandings include:

- “Rifle bullets penetrate too many walls.” While having a foundation in fact, this is misleading. It is true that *all* firearm projectiles typically penetrate multiple residential walls. However, several tests have shown that many .223/5.56mm bullets penetrate the same number of walls—or fewer walls—than typical law enforcement handgun bullets. Furthermore, officers armed with rifles may be less likely to miss the suspect, resulting in fewer missed bullets passing through walls. Finally, rifle bullets can stop a suspect more quickly, so fewer total rounds may be fired.
- “Rifles are too long to use indoors.” This is untrue—the military has used rifles indoors for years. A shouldered rifle is about the same length as an

extended handgun. With proper training and practice, it is possible to use rifles indoors.



**Figure 24: Comparison of Rifle and Handgun Lengths**

Rifles have additional advantages as well. Rifle calibers penetrate bullet-resistant vests, allowing officers to stop suspects wearing them.<sup>15</sup> Because of their sights, rifles can also be used at greater effective ranges than handguns.

### **Rifles are a System**

Your pistol doesn't exist in a vacuum – it has a holster and spare magazines, and you have been trained how to use it from cover, in low light situations, and against multiple adversaries. Your handgun is part of a use of force *system*.

Rifles must also be part of an integrated system. It is not enough to simply put a rifle into every squad car. Officers must know how to carry and deploy the rifle; how to use a light to identify their target; how to carry spare ammunition; how to operate and maintain the rifle; *etc*.

### ***Sling***

Patrol rifles should be equipped with a sling. The sling is the rifle's "holster," allowing the officer to carry the rifle when the officer's hands are otherwise occupied. A sling also helps the officer transition to the handgun if the rifle malfunctions or runs out of ammunition.

---

<sup>15</sup> The North Hollywood bank robbery of 1997 is a well-known example of suspects wearing body armor, but this also happens in Wisconsin. Example: [5/1/14 domestic OIS in Dane County](#).

### ***Light***

Regardless of whether you are armed with a handgun or rifle, you must properly identify your target before shooting. You will learn weapon-mounted light techniques and alternate techniques that incorporate a handheld light.

### ***Spare Magazines***

Faulty magazines are the most frequent cause of AR-15 malfunctions. Furthermore, malfunction clearance techniques require a spare magazine. Follow the same practice you do with your handgun—carry spare magazines. Spare magazines can be carried on the duty belt, in a “go bag” or tactical vest, or even in a pocket.

### ***Optics***

Many patrol rifles are equipped with optical sights. These may be electronic red dots or telescopic sights. Optical sights are very effective but are not mandatory. If your rifle has an optic, ensure it also has back-up iron sights.

### ***Selector Use***

The AR-15/M16 rifle is a “single action” weapon. This means its hammer is cocked when there is a round in the chamber.

During recruit training you will leave the selector on “safe” until you have decided to fire. You will return the selector to “safe” when you recognize that no further shots appear to be necessary (because the threat has been stopped or has ceased). As always, follow your agency’s selector procedure.

### ***States of Readiness***

Your rifle will be stored, carried, and deployed in different states of readiness. For example, while your department might store rifles completely unloaded in your department’s armory, the rifle must be loaded with a chambered round when used on a call. The following states are one example of how rifles might be carried and stored, but you must follow the policy and procedure of your agency.

### ***Administrative Carry***

Administrative carry is a non-tactical way to transport a rifle for cleaning, maintenance, or before or after your shift. This method separates the rifle and ammunition to reduce the chance of a negligent discharge.

- Selector on safe
- Magazine out of the weapon
- Bolt locked open
- Weapon slung or carried vertically

### ***Squad Ready***

Squad ready is used by many departments when storing a rifle in the squad car. The rifle is loaded but a round is not chambered.

- Selector on safe
- Chamber empty with bolt closed
- Magazine loaded and inserted into the magazine well
- Rifle stored in squad car mount, gun case in trunk, etc.

It is very important that you inspect the rifle before beginning your shift. Is the magazine fully seated? Is the chamber actually empty? Is the selector on safe? Does the squad's rifle locking mechanism work properly? You are responsible for ensuring the weapon is in its proper condition. A personal inspection is the only way to verify this.

### ***Call Ready***

Call ready describes the condition of the rifle any time it is removed for use. Immediately upon removing the rifle from the squad car, you must chamber a round. Make it routine to chamber a round as soon as the weapon is in your hands. This ingrains the habit and helps ensure your weapon is capable of being fired when necessary.

- Make the rifle call ready immediately upon removing it from the squad
- Selector on safe
- Chamber loaded
- Magazine loaded and inserted in magazine well
- Any battery-powered optics are turned on
- Rifle may be slung, in your hands, or shouldered

Departments may adopt different states of readiness. As always, follow the policy and procedure of your department.

## **RIFLE BALLISTICS AND ZEROING**

Ballistics describes the science of launching projectiles. For rifles, this can be divided into three subcategories—internal ballistics, external ballistics, and terminal ballistics.

### **Internal Ballistics**

Internal ballistics describes what happens inside the rifle. For the purposes of this course, internal ballistic considerations include using the correct ammunition for the rifle's chamber, and care and maintenance of the rifle and ammunition.

Ensure your rifle's chamber and barrel is clean, dry, and unobstructed. A blocked barrel can burst upon firing. Oil in the chamber can prevent the cartridge from properly gripping the chamber when fired, significantly increasing pressure on the bolt.

Just as with your handgun, do not repeatedly chamber the same round over and over. Repeated re-chambering can cause bullet set-back, changing chamber pressure or causing misfeeds. Repeated

chambering can also affect the primer, leading to unreliable ignition. Some agencies do not re-use a round that has been chambered, allocating it to training use. Follow your agency's policy and procedures.



Figure 25: Bullet Setback in Case

Note that it is normal to see a light dimpling of the primer after a round has been chambered in an AR-15. This rifle has a floating firing pin which lightly contacts the primer upon chambering a round.

### **External Ballistics**

External ballistics describes how the bullet travels to its target. Rifles have more power and range than handguns, so rifle users must understand rifle bullet flight.

The AR-15's sights are approximately 2½ inches above the barrel. Thus, the "line of sight" and "line of bore" are 2½" apart. Gravity begins pulling the bullet downward as soon as the bullet leaves the barrel. If the barrel was perfectly parallel to the line of sight, the bullet would impact 2½ inches low at the muzzle, and the bullet would drop even further away from the line of sight as the distance increased. To make the bullet path more closely align with the line of sight, the rifle's barrel is *not* perfectly parallel with the line of sight. Instead, the barrel is angled very slightly upward. This launches the bullet upwards so its trajectory meets the line of sight at a specific distance. The bullet rises until gravity overcomes the bullet's upward momentum, at which point the bullet begins falling downward.

### ***Sighting-In/Zeroing***

Unlike most law enforcement handguns, rifles have easily-adjustable sights to align the bullet's trajectory with the line of sight. You shoot the rifle and adjust

the sights until the bullet strikes the aiming point at the desired distance. This “zero” distance affects the bullet’s trajectory because it determines the upward angle of the barrel. Officers must understand their rifle’s zero and what adjustment they must make, if any, to accommodate that zero.

If your agency does not specify the distance at which your rifle should be zeroed, a 50-yard zero closely aligns the bullet trajectory with the line of sight at common law enforcement distances. Exercise caution with unusual zeroing techniques. For example, the unusual 7-yard short range zero shown below might work well at 7 yards, but would miss a 75-yard target by two feet.

Distance	25-yard zero	50-yard zero	100-yard zero	7-yard zero
0 yards	-2.5	-2.5	-2.5	-2.5
25 yards	0	-1.1	-2.5	+6.5
50 yards	+2.2	0	-1.4	+15.2
75 yards	+4.2	+8	-1	+23.6
100 yards	+5.7	+1.2	0	+31.7
125 yards	+6.9	+1.3	-2	+39.3
150 yards	+7.7	+1.0	-8	+46.6
175 yards	+8.1	+2	-1.9	+53.5
200 yards	+8.1	-9	-3.4	+59.9

Figure 26: Comparison of Common and Uncommon Zero Trajectories

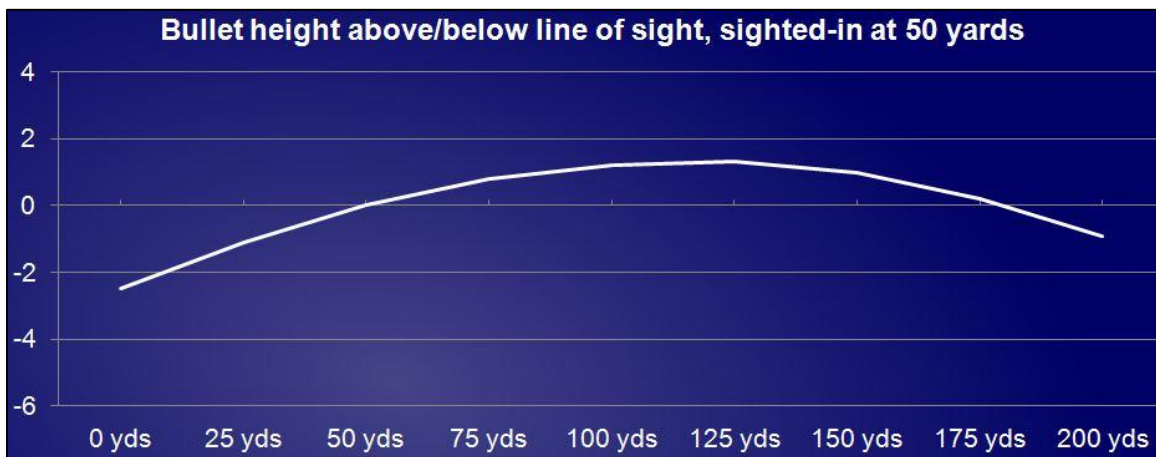


Figure 27: 50-yard Zero Example

Rifles need to be zeroed because different ammunition types will shoot to different points of impact. These differences become more pronounced as distance increases. If a rifle has two sighting systems, such as a red dot sight and backup iron sights, then both sighting systems need to be zeroed.

Some agencies issue rifles to individual officers. Other departments have “pool” rifles that may be shared by multiple officers. If you have an individually-issued rifle, you should precisely zero the rifle for your eyes. If you share a pool rifle, you should verify the rifle’s zero is effective for you and the other officers who share the rifle.

### ***How to Zero***

Assume a stable shooting position—either prone with sandbags, or from a bench. Your department’s instructor or armorer may specify that you “bottom out” your rear sight so it is all the way down. You will then slowly fire 3-5 precise shots at the target. Ideally, the target would be at the zero distance.

Examine the target and locate the center of your group. Then, adjust your sights to move the location of the group to the desired point of impact. For iron sights, rotate the rear sight dial to move the group left or right towards the aim point. Rotate the front sight to move the group up or down. Each click moves the point of impact approximately one centimeter at 25 meters, or roughly 1/3” at 25 yards. For optical sights, follow the manufacturer’s directions. After making the estimated sight adjustments, re-fire 3-5 precise shots and verify the group’s location. Continue this process until the bullet group is located at the desired location.

### ***Rear Sight Apertures***

The AR-15’s rear sight has a flip-up aperture. Unless your rifle is equipped with a “same-plane” aperture, flipping the aperture sight will change the bullet’s point of impact. Furthermore, the small aperture can be difficult or impossible to see through in low light conditions. Consider using the large aperture at all times, as it can be used in all light conditions and is sufficiently accurate for hundreds of meters.

### ***Effects of Weather and Wind***

Bullet flight and trajectory is unaffected by rain or snow (although rain or snow may require additional maintenance to prevent rusting).

Wind can affect bullet flight, though these effects are very minor at typical law enforcement distances. Crosswinds can blow the bullet left or right. For example, a 10-mph crosswind pushes a .223 bullet about one inch left or right at 100 yards. This effect is doubled in a 20-mph wind, and halved in a 5-mph wind. Wind has less effect if it isn’t blowing 90 degrees to the bullet’s path, and has no effect as a tailwind or headwind.

### ***Ammunition and Terminal Ballistics***

Terminal ballistics describes what happens when the bullet strikes the target. This is affected by the type of bullet used.

“Full metal jacket” (FMJ) bullets are less expensive than other types, and serve well for practice and training. However, bullets that expand are generally preferred for duty use.

There are two basic kinds of expanding bullets. “Controlled expansion” bullets are often used for patrol. This type of bullet expands upon striking a suspect, but stays in one piece so it can achieve the FBI’s suggested minimum penetration depth. On the other hand, some bullets were originally designed for use against small animals. These lightly-constructed bullets fragment or disintegrate quickly when they strike something. As a result, these bullets perform poorly when shot through car doors or windshields. Even without an intervening barrier, these bullets do not meet the FBI’s recommended minimum penetration standard.

Remember that different ammunition types may have different points of impact. Ensure your rifle is sighted-in for the ammunition you carry on duty.

## **CLEANING, LUBRICATION, AND INSPECTION**

Patrol rifles should be clean and lubricated at all times. You will not have time to give it a quick scrub or add a few drops of oil before deploying it on a call. Therefore it must be maintained in a ready-to-go condition at all times.



## Parts of a Rifle

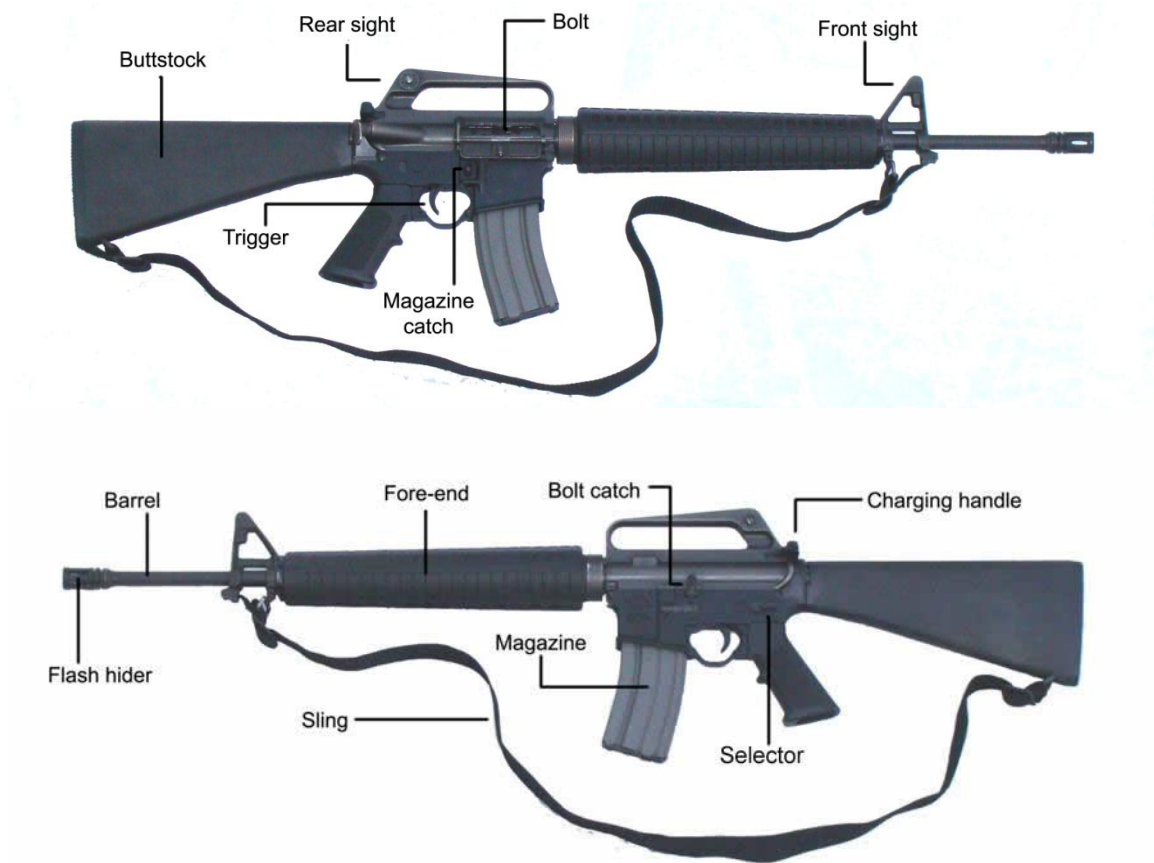


Figure 28: Parts of the Rifle

## Field Stripping

Field stripping separates the rifle into smaller components for easier cleaning and inspection. Only an armorer should disassemble a rifle beyond field stripping. To field strip your rifle:

1. Ensure the rifle is unloaded. Remove the magazine and set it aside. Pull back the charging handle and lock the bolt to the rear by pressing on the bottom of the bolt catch and easing the bolt forward until the bolt catch holds it open. Visually and physically inspect the chamber and magazine well for ammunition. Have a partner double-check it is empty, or pause and repeat your inspection to ensure the weapon is empty.
2. Separate the upper and lower receivers. Push out the rear takedown pin and pivot the upper and lower receivers apart. If desired, push out the front pin to entirely separate the receiver groups.



Figure 29: Front and Rear Takedown Pins

3. Remove the bolt carrier assembly and charging handle. Turn the upper receiver upside down and stabilize the receiver. Remove the bolt carrier assembly and then lift the charging handle out of its groove in the upper receiver.



Figure 30: Removing Bolt Carrier Assembly

4. Disassemble the bolt carrier assembly. Set the receivers aside. Pull the firing pin retaining pin and firing pin out of the bolt carrier assembly. Rotate the cam pin 90 degrees and pull it out of the bolt carrier. Pull and twist out the bolt. Then use the firing pin retaining pin (not the firing pin) to push out the bolt's extractor pin.

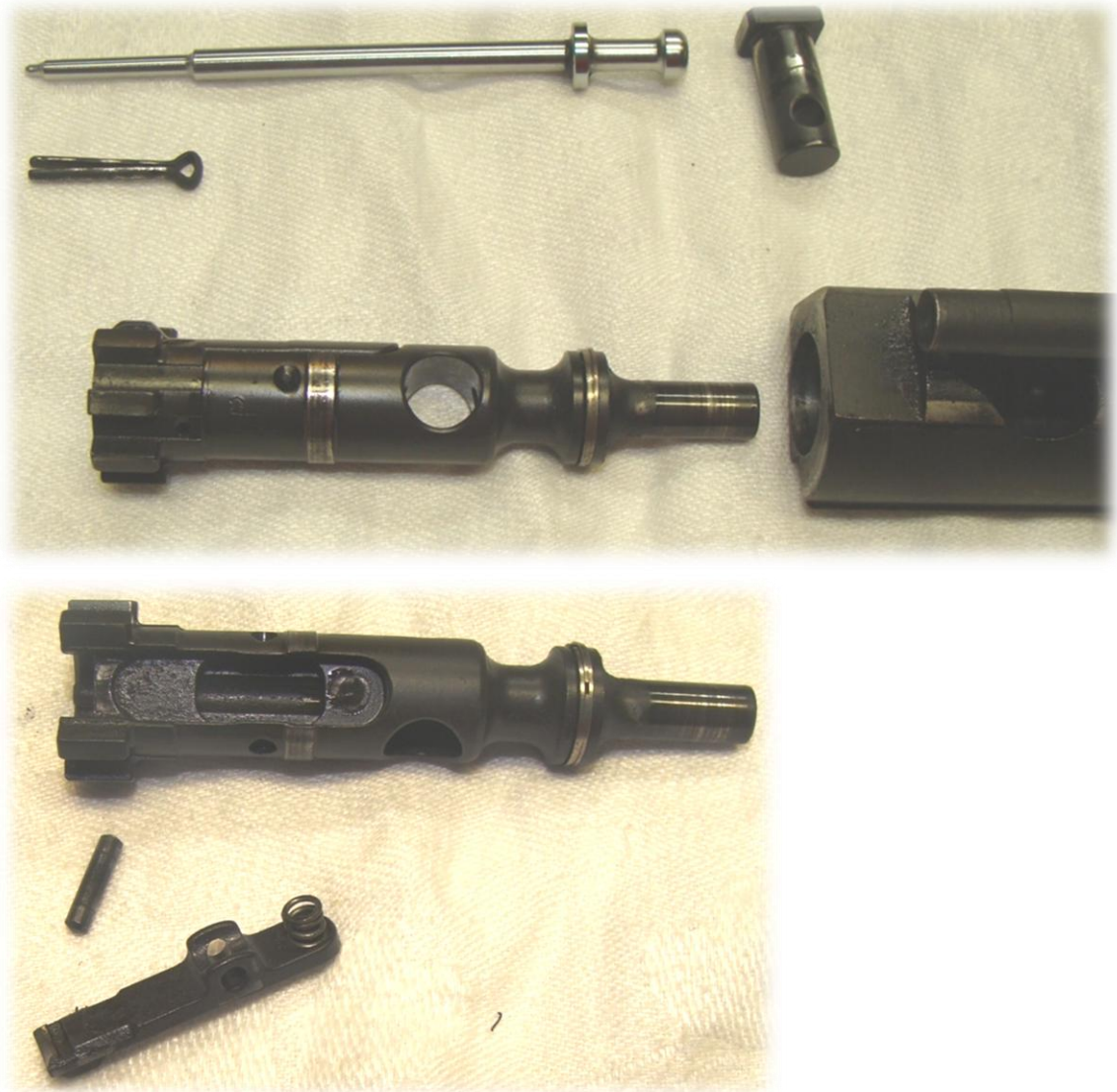


Figure 31: Field-Stripped Bolt Carrier Assembly and Bolt

## Cleaning

Once the rifle has been field-stripped, clean everything using a gun solvent, brush, and patches. Use solvent and a chamber brush to clean the chamber, and a cleaning rod and bore solvent to clean the barrel. Keep the upper receiver oriented to prevent solvent from draining into the gas port, and do not insert anything into the gas tube. Disassemble and clean the magazine. Wipe the cleaning solvent off all parts, especially the barrel, chamber, and magazines. Follow the rifle manufacturer's directions.

## Inspection and Lubrication

After the parts are clean, examine them for any signs of cracks, corrosion, or unusual wear. Immediately bring any unusual findings to the attention of your department armorer.

Examine all parts, paying particular attention to the following:

- Is the extractor spring seated in the extractor? Does the extractor spring have a small black or blue rubber buffer inside the spring? Is the extractor lip square, sharp, and unchipped?
- Does the bolt have any cracks around the cam pin hole or the bolt lugs? Are there any signs of unusual wear?
- Does the ejector move smoothly? Does it compress to the bolt face?
- Are all three gas rings present? Does the bolt hang from the bolt carrier when it is held vertically?
- Is the tip of the firing pin smooth and round? Are both legs present on the firing pin retaining pin?
- Is the gas key rock solid, with both bolts present? (Do not turn these bolts.)
- Does the charging handle slide smoothly in the upper receiver?

After the rifle has been cleaned and inspected, properly lubricate it during reassembly. AR-15 rifles require sufficient lubrication for proper operation. These rifles should not pass a “white glove inspection.” If the inspector’s white cotton glove doesn’t show oil, the rifle is too dry. Leave the barrel, chamber, and magazine completely dry. All other steel parts should have a light coat of oil to prevent corrosion. High friction areas (the bolt, gas rings, cam pin, and bolt carrier rails) should have more generous lubricant.<sup>16</sup>

## Reassembly

To reassemble the rifle, follow these steps:

1. Put the extractor on the bolt. Press on the rear of the extractor and insert the extractor pin. The extractor pin will insert without effort when properly aligned.
2. Twist and push the bolt into the bolt carrier. Ensure the extractor is on the right side, towards the ejection port. Insert the cam pin into the bolt through the cam pin track, then rotate the cam pin 90 degrees.
3. Insert the firing pin into the rear of the bolt through the bolt carrier. Insert the firing pin retaining pin, ensuring it captures the firing pin. Shake the bolt carrier assembly back and forth to ensure neither the bolt nor firing pin can fall out.

---

<sup>16</sup> Even in sandy or dusty environments, US Army testing has shown that heavy lubrication of the bolt assembly decreases the number of malfunctions when compared to light lubrication. *Heavy lubrication shown to improve M16, M4 effectiveness*, [Military Times, July 15, 2007](#).

4. Turn the upper receiver upside down and set the charging handle into its cutout in the upper receiver. Ensure the bolt is extended from the bolt carrier assembly, and place the gas key in the charging handle recess. Slide the bolt carrier assembly and charging handle into the upper receiver.
5. Align the upper and lower receivers and push in the take-down pins.

## Function Check

Perform a function check every time the rifle is reassembled. This check ensures the rifle is working correctly. Follow the manufacturer's recommendations, which may be similar to the following steps:

1. Ensure the rifle is unloaded! First remove the magazine and set it aside. Then lock the bolt to the rear and visually and physically examine the chamber to ensure it is empty. Have a partner double-check the rifle, or pause and then repeat your visual and physical exam to ensure the rifle is empty. Point the rifle into a safe backstop and leave it pointed there for the remainder of the function check.
2. Put the selector on safe and depress the bolt catch, allowing the bolt to shut. Press the trigger. Because the selector is on safe, you should not hear the click of the hammer falling. Release the trigger.
3. Rotate the selector to fire and then press the trigger. You should hear the hammer fall. Release the trigger.
4. Pull the charging handle fully to the rear and then release the handle.
5. Press the trigger. You should hear the hammer fall. Continue holding the trigger to the rear.
6. While holding the trigger to the rear, pull the charging handle fully to the rear and then release the handle. After the bolt has gone forward, slowly release the trigger. You should feel a slight clunk as the hammer is caught and held. Then press the trigger again, and you should hear the hammer fall.

If the hammer falls when it should not, doesn't fall when it should, or the selector or trigger does not function as described, immediately take the rifle out of service until it can be inspected by your department armorer.

THIS PAGE INTENTIONALLY LEFT BLANK

# RIFLE OPERATION

When you've taken the rifle out of the squad car to deploy it on a call, you will use one of the following positions to maintain muzzle control.

## READY POSITIONS

The following positions maximize your ability to rapidly counter deadly threats, *and* maintain firearm safety for you, other officers, the public, and the suspect.

In all ready positions, your finger is off the trigger and outside the trigger guard.

### Tactical Ready Position

The first ready position is the "Tactical Ready" position. This position is similar to the firing position, except that the weapon is lowered slightly to allow you to scan a possible suspect for threats. Your finger is off the trigger and outside the trigger guard, and the muzzle is depressed enough to allow you to scan the individual's hands and belt area. This gives you an unrestricted field of view, but allows you to very quickly raise the gun and fire should you need to shoot. It is useful for:

- Covering a subject while you issue verbal commands.
- Approaching an area where you anticipate an adversary.
- Searching for a suspect.



Figure 32: Tactical Ready

## Depressed Muzzle

Depressed Muzzle is conceptually identical to Position Sul for the handgun—it positions the muzzle nearly vertical in front of the officer. It is very useful for controlling muzzle direction when working around other officers, in crowds, or among innocent bystanders. It also permits a safe 360-degree scan for threats.

The toe of the buttstock is in the same position as when the rifle is shouldered. To move between Depressed Muzzle and Tactical Ready, the rifle rotates on the toe of the butt stock while the muzzle is brought up in a straight vertical line.

When Depressed Muzzle is performed properly, the rifle is secure; does not point at other people; and does not point at your own feet or legs. To perform this technique properly:

1. Your strong hand maintains its master grip, with trigger finger off the trigger and outside the trigger guard. The selector is on “safe.”
2. Leave the toe of the butt stock in the same shoulder position.  
Lower the muzzle so it points at the ground just forward of your feet.
3. Rotate the rifle 90 degrees so it is lying flat against your chest.



Figure 33: Depressed Muzzle

If a threat appears, raise the muzzle while rotating the rifle around the toe of the butt stock.



## Port Arms

Port Arms is a position used when you must move quickly—it allows you to sprint while maintaining a secure hold on the rifle and controlling the muzzle direction. The muzzle may be directed up and to the side, or forward, depending on your physique and the environment. The selector is on “safe” and the trigger finger is outside the trigger guard.



## SHOOTING FUNDAMENTALS

Proper rifle operation consists of applying the same basic shooting fundamentals you learned in your handgun training. These skills maintain the same principles you have already been taught:

- Stance
- Grip
- Sight Alignment
- Sight Picture
- Trigger Control

Figure 34: Port Arms

Mastering these five fundamentals will allow you to shoot accurately and consistently, shot after shot.

## Stance

The rifle shooting stance is the same *tactical stance* you learned in DAAT and use for pistol shooting. It allows you to move easily in any direction while providing a stable shooting platform. It is *not* a traditional target shooting stance, where the shooter significantly blades their body. Heavily-bladed stances limit your mobility and expose gaps in your bullet-resistant vest. In a good shooting stance, you could “drop in” your pistol or rifle without noticeable shifting of the body or head—only your arms would adjust. To perform this stance with a rifle:

1. Face your target, with your feet about shoulder width apart.
2. Move your strong-side foot about 6" back, so that the toe of your strong-side shoe is about even with your reaction-side instep.
3. Bend your knees slightly, and shift your weight slightly forward, onto the balls of your feet.
4. Keep your head and shoulders forward, in the same position you use while firing your handgun.
5. Place the butt stock of the rifle high in the "pocket" on your shoulder—you should not lower your head to look through the rifle's sights. This will usually require collapsible stocks to be shortened in length, not fully extended. The exact placement of the buttstock may vary depending on your rifle's stock and your individual physique.
6. With your weapon held in a two-hand grip (see below), pull back slightly to stabilize the rifle on your shoulder, and keep your elbows down to narrow your silhouette.

## **Grip**

Your grip on your rifle must be comfortable and stable, allowing you to hold the weapon steady enough to shoot accurately, and it must also allow you to control recoil with minimal fatigue. To achieve the best two-hand grip:

1. With your strong hand, grasp the pistol grip as high on the grip as possible. This is your "master grip." Your strong hand will remain wrapped around the pistol grip while other functions (such as changing magazines or clearing malfunctions) will be performed by your reaction hand.
2. Your index finger (the trigger finger) is extended forward along the receiver, until you are ready to shoot. Right-hand shooters will rest the strong-side thumb on the selector. Left-hand shooters will manipulate the selector with the base of the index finger, knuckle, or left-hand thumb.
3. Firmly grasp the fore-end of the rifle with your reaction hand. Use firm pressure, but not a "choke hold."

## **Sight Alignment**

The AR-15 uses an aperture rear sight. Look through the rear sight and focus on the front sight. The rear sight and target will be blurry, but this doesn't matter—your eye will automatically center the front sight inside the rear sight's aperture.

The exact location of your eye can affect how your eye sees the sights. To eliminate variability, use a consistent "cheek weld" or other technique to ensure you always place your head in the same position. Many officers shoot "nose to charging handle" to eliminate any variation in eye placement. As with your pistol, shoot with both eyes open.

To see through the rear aperture, your eyes must be an appropriate distance away. Many officers do not fully extend collapsible stocks, in order to better position their head. Particularly with the squared-up tactical stance, this is more comfortable.

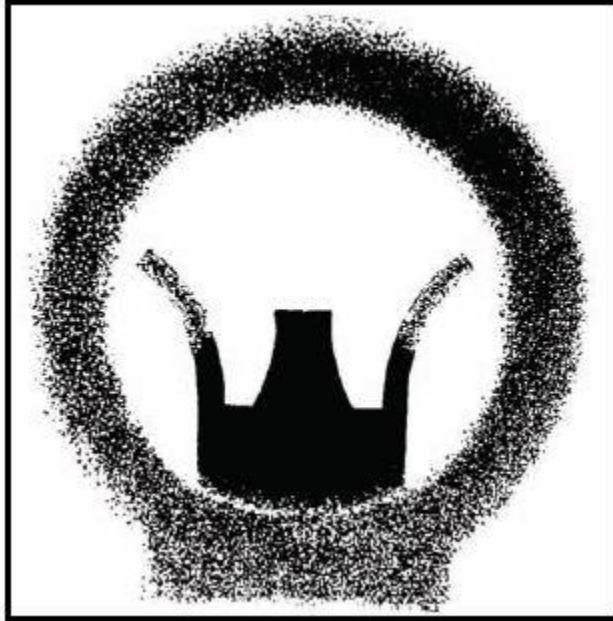


Figure 35: Sight Alignment Using Aperture Sight

## Sight Picture

Sight picture refers to the visual relationship of the sights to the target. If the sights are properly aligned, the bullet will hit the target at the tip of the front sight at your zero range. For law enforcement shooting, your primary target is the central nervous system.

The degree of care with which you align the sights and the target depends on time and distance. The closer the target, the greater the danger, and therefore the faster you must shoot.

When the target is very close—just across a room, for example—you might simply look over the rear sight and place the front sight base on the target's chest. When your target is farther away, or you have more time, you should carefully align the sights and acquire a precise sight picture.

You will never be able to hold the weapon absolutely still—there will always be a small natural arc of movement. If time and circumstances allow, there are two additional techniques you can use to maximize your accuracy when shooting from very stable shooting positions—breath control and finding your natural point of aim.

## **Breath Control**

For a precise shot, you can minimize the movement caused by your breathing. Two ways to do this are:

- Take a breath, then let part of it out and hold your breath through the shot; or
- Fire during the natural respiratory pause after you exhale normally.

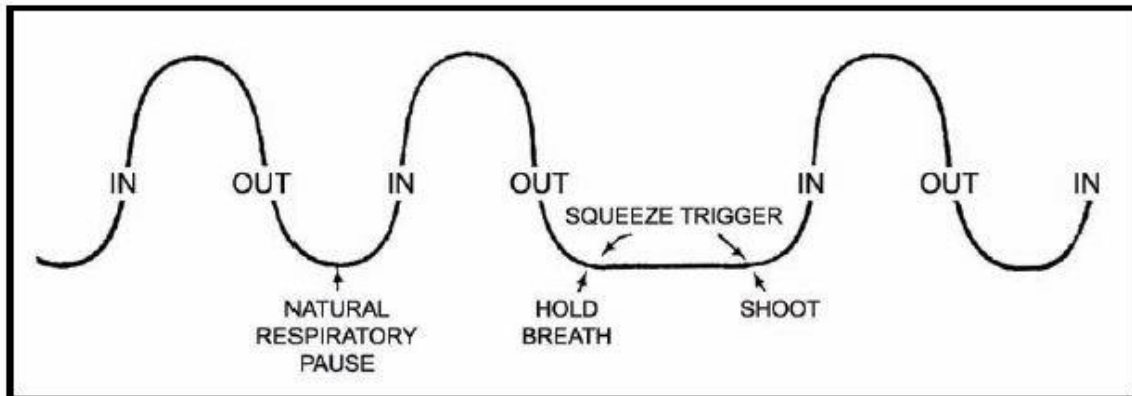


Figure 36: Breath Control

## **Natural Point of Aim**

When you are in a stable shooting position, the rifle will naturally align itself in a particular direction. By shifting your shooting position so the rifle's natural point of aim is the same as the target location, you reduce your accuracy error. This requires that your target is confined to a small area, you have a stable shooting position, and you have enough time to correct the natural point of aim.

Assume a prone shooting position and relax. Close your eyes and allow the rifle to settle into its preferred position. Open your eyes and examine where the rifle is pointed. Shift your shooting position and repeat the process until the rifle naturally points at your specific target.

This process takes time, but it is useful for sighting-in your rifle. It could also be used when staffing a perimeter where the target's location is contained, you have sufficient time, and your position allows you to remain motionless and undetected by the suspect.

## **Trigger Control**

Remember, the third rule of firearms safety is *keep your finger off the trigger and outside the trigger guard until you are firing*. Until you are firing, your trigger finger should be extended along the receiver, *above* the trigger guard. When it is time to fire, operate the trigger as follows:

1. Place your finger on the trigger so that the *pad* of your finger is in contact with the trigger. With your finger in position on the trigger, there should be

some space between your finger and the frame of the weapon. This will allow you to pull the trigger straight to the rear, firing the weapon without disturbing its aim.

2. Using smooth, steady pressure, pull the trigger straight back, letting the weapon fire. *Keep your finger in contact with the trigger.*
3. Allow the trigger spring to push the trigger—and your finger—forward only as far as needed for the trigger to reset for the next shot. You will feel and hear a click as the trigger resets.
4. Continue the same sequence for subsequent shots.
5. When you are done firing, allow the trigger to go all the way forward, take your finger off the trigger, and again place it along the receiver outside the trigger guard. Then turn the selector to “safe.”

Trigger control is critical for accuracy. You may have a perfect stance, grip, sight alignment and sight picture, but if do not correctly press the trigger you can still miss your target.

## LOADING, RELOADING AND MALFUNCTIONS

Like your pistol, the AR-15 is a semi-automatic weapon that uses detachable magazines. This allows you to use similar—but not identical—processes to load, unload, and clear malfunctions.

### Master Grip

You will keep your strong hand on the pistol grip during all rifle manipulations. This eliminates wasted motion and makes you more efficient.

### Loading Magazines

AR-15 magazines hold rounds in a staggered column. This differs from your pistol, which narrows to a single column of ammunition at the feed lips. When you load your pistol magazine, you must insert the cartridges from the front of the magazine to slide them underneath the feed lips. However, the AR-15 magazine can be loaded by pressing the cartridge down between the feed lips.

### ***Push-Pull on the Magazine***

When you insert a magazine into the rifle, ensure it is in place by using a “push-pull” technique. Firmly *push* the magazine into the magazine well. Then, without pressing the magazine release, *pull* on the magazine to ensure it is fully seated. If it is seated properly, the magazine will remain in the magazine well. This push-pull eliminates any failure to properly seat a magazine—a common user-induced malfunction.

Whenever you insert a magazine into the rifle, ensure it is in place by using a “push-pull” technique.

When the bolt carrier is forward, cartridges in the magazine press up on the bottom of the bolt carrier. This can make it more difficult to seat a fully-loaded magazine. Many departments download magazines by two rounds to make this more certain. For example, a 30-round magazine would only be loaded with 28 rounds. Follow your agency's policy, but always follow the push-pull loading technique to verify the magazine is seated.

## **States of Readiness Loading Procedures**

As you learned in *States of Readiness*, the rifle will be carried in different states of readiness depending on the situation. The following conditions will be used in this recruit course, but you must follow the policy and procedure of your agency.

### ***Administrative Carry***

This state of readiness separates the rifle and ammunition to reduce the chance of a negligent discharge. It is only used for cleaning or in other routine non-tactical environments. To put a rifle in administrative state of readiness:

1. Point the rifle in a safe direction. Ensure your finger is off the trigger and outside the trigger guard. Turn the selector to "safe."
2. Depress the magazine catch and remove the magazine.
3. Pull and hold the charging handle to the rear.
4. Depress the bottom of the bolt catch. Ease the charging handle forward until the bolt is caught and held by the bolt catch.
5. Push the charging handle forward until it latches on the upper receiver.
6. Visually and physically examine the chamber and magazine well to ensure no ammunition is present. Look away from the rifle, and then repeat this examination.

### ***Squad Ready***

Squad ready is used while storing the rifle in the squad. The rifle is loaded but a round is not chambered. To take a rifle in "administrative carry" and make it squad ready:

1. Visually and physically examine the chamber and magazine well to ensure they are empty. Turn the selector to "safe."
2. Depress the bolt catch. The bolt will slam forward.
3. Pull the charging handle to the rear far enough to visualize the chamber and bolt. Ensure no round is in the chamber or being extracted by the bolt.
4. Release the charging handle. Ensure the charging handle is latched on the upper receiver. Press the forward assist to ensure the bolt is fully locked. Close the dust cover.
5. Insert a loaded magazine in the magazine well using a push/pull.
6. Place the rifle in the gun lock, trunk, or designated storage location.

### **Call Ready**

You will chamber a round immediately upon removing the rifle from the squad car for deployment on a call. To make a rifle call ready:

1. Pull the charging handle fully to the rear and release it. Do *not* ease the charging handle forward—let it close under spring pressure.
2. Turn on any battery-powered optics (if applicable).
3. Put on the sling (if applicable).
4. If time permits, verify you have chambered a round. Pull the charging handle to the rear far enough to visualize the chamber and bolt. You should observe a cartridge partially extracted by the bolt. Release the charging handle. Ensure the charging handle is latched on the upper receiver. Press the forward assist to ensure the bolt is fully locked. If time permits, close the dust cover.

### **Out-of-Battery Reloads**

If your rifle stops operating because of a malfunction or because it runs out of ammunition, if you are in effective handgun range transition to your pistol. Otherwise, to quickly reload when your bolt locks open:

1. Move behind cover and keep the rifle elevated. By keeping the rifle elevated you have better dexterity and keep your head up. *Do not go “head down” while reloading or clearing malfunctions.*
2. Press the magazine release. Right-handed officers will use the trigger finger. Left-handed officers will use their right hand.
3. Simultaneously pull the empty magazine out of the rifle with your reaction hand. Even if the magazine *should* fall free on its own, stripping it does no harm, and ensures the magazine doesn't stick in an emergency. Let it fall to the ground.
4. Grasp a new magazine. Insert it straight into the magazine well. Push in and then pull out, to confirm it is seated.
5. Press the bolt catch to allow the bolt to close. (Left-hand officers may use the bolt catch or the charging handle.)

### **In-Battery Reloads**

You can reload your weapon while it is still in battery (still able to fire). For example, if you fire a number of rounds during a gunfight and there is a lull in the action, you may decide to reload so you have a full magazine if the gunfight resumes. The procedure for in-battery reloading is very similar to that for out-of-battery reloading. Here is the procedure:

1. Move behind cover and keep the rifle elevated. By keeping the rifle elevated you have better dexterity and keep your head up. *Do not go “head down” while reloading or clearing malfunctions.*

2. Grasp the partially-expanded magazine in the rifle and press the magazine release. Right-handed officers will use the trigger finger. Left-handed officers will use their right hand.
3. Pull out the partial magazine and stow it in a secure location where you will not confuse it with a full magazine. (Choose a consistent location, such as tucked in your belt, put in your left rear pants pocket, etc.)
4. Grasp a new magazine and insert it into the magazine well. Push in and then pull out, to confirm it is seated.

## **Malfunctions**

Rifle malfunctions are frequently caused by failure of the user to seat the magazine or a defective magazine; a rifle that is dirty, unlubricated, or has a broken part; or defective or underpowered ammunition.

*If you are in a gunfight within effective handgun range, the immediate “fix” of a rifle malfunction is to transition to the handgun.* Transitioning to the handgun is faster than fixing a rifle malfunction.

When you have the opportunity, clear the malfunction. The AR-15 uses a phased malfunction clearance process that is similar—but not identical—to your pistol procedures.

### ***Phase 1 Malfunction Clear***

The Phase 1 Malfunction Clear consists of four steps:

1. Push and pull on the magazine to be sure it is fully seated in the magazine well.
2. Roll the rifle clockwise, tipping it slightly to help any loose casing or round fall out of the ejection port.
3. Rack the bolt once—grasp the charging handle, pull it all the way to the rear, and release it.
4. Reassess and fire if necessary.

### ***Phase 2 Malfunction Clear***

If Phase 1 doesn't clear the malfunction, perform Phase 2. The Phase 2 Malfunction Clear consists of six steps:

1. Lock back the bolt and strip out the magazine.
2. Dislodge any double-fed rounds by inserting 1 or 2 fingers through the magazine well into the feed area.
3. Rack (cycle) the bolt at least twice.
4. Insert a fresh magazine, using the push/pull magazine insertion technique.
5. Charge the weapon.
6. Reassess and fire if necessary.



## Sling Use and Rifle Transitions

A sling serves as the rifle's "holster." It allows you to retain the rifle when you need both hands, or when the rifle malfunctions and you transition to your pistol.

There are various types of slings, varying from simple carry straps to slings with one to three attachment points. Each style has different advantages and disadvantages—your instructor can demonstrate various types.

When possible, retain control over your rifle if it malfunctions so you can clear the malfunction and bring it back into operation. This also prevents the suspect or other parties from retrieving the weapon and using it against you.

Before slinging the rifle, ensure the selector is turned to "safe." Many slings allow you to let go of the rifle, whereupon the rifle hangs in front of you. A carry strap requires you to place the rifle over your arm or shoulder, and then bring your pistol into operation.

Before slinging the rifle, ensure the selector is turned to "safe."

## SHOOTING AND COVER

The principles of cover are unchanged. Even though you are armed with a rifle, you should take advantage of available cover to maximize your tactical advantage.

When you are shooting from behind cover, maintain a reactionary gap. Do not brace the rifle barrel on hard cover, as this can cause inaccuracy.

When possible, shoot *around* cover. This lowers your profile. If you do have to shoot over the top of cover, remember that your line of sight is 2½ inches higher than the barrel. You will have to expose that much more of yourself to prevent firing bullets into your own cover.

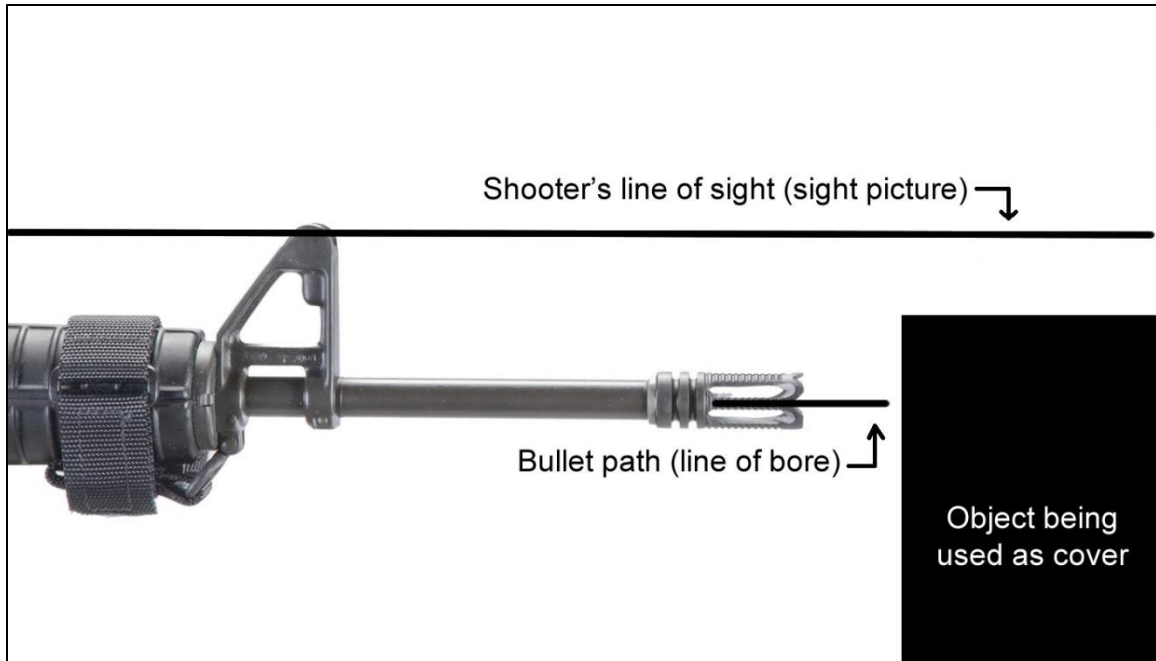


Figure 37: Line of Sight and Line of Bore

When shooting around the reaction side of cover, you may switch shoulders to minimize the amount of body that you expose. If you are not comfortable switching shoulders, take an aggressive stance and lean far forward, shifting much of your weight to your reaction foot as you lead around cover.

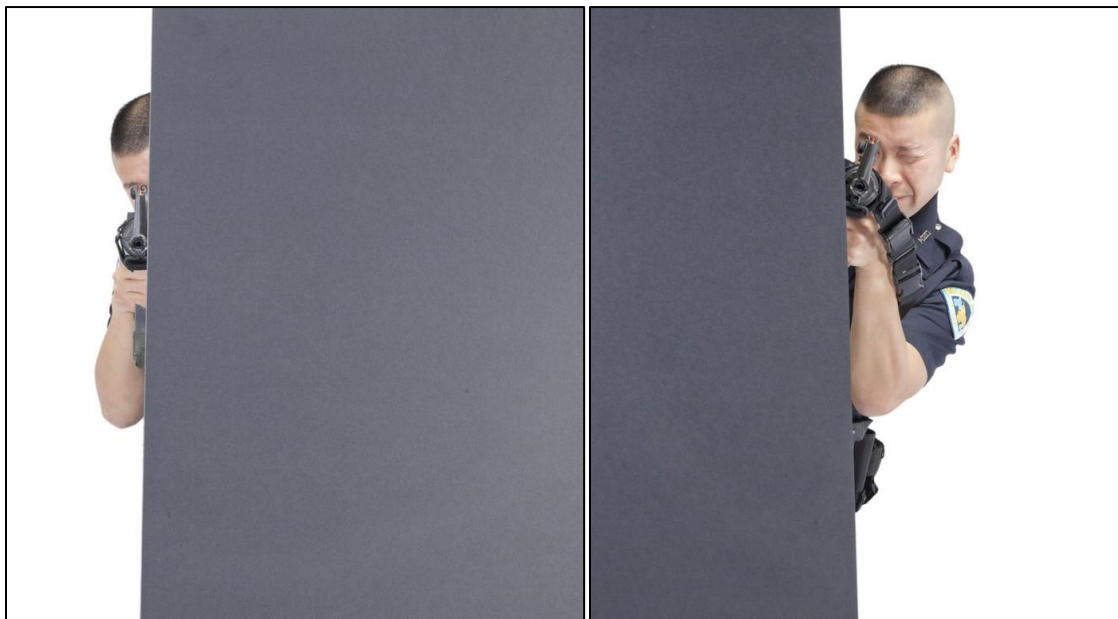


Figure 38: Right-Handed Officer Shooting Around Cover Without Switching Shoulders

# UNLOADING WEAPONS OTHER THAN ONE'S OWN

## Making Weapons Safe

As an officer, you may recover a weapon used in a crime, or discover a weapon in a search. Before transporting and packaging a weapon as evidence, you must unload it and render it safe. *Never package a loaded weapon.* (Naturally, you will handle it in such a way to minimize the destruction of fingerprint or other evidence—you will learn how to do this in Evidence Collection.) If the weapon is one with which you are familiar, you will know how to make it safe. But what if it is a kind of firearm you have never seen before?

If you are not sure how a weapon works, ask someone. Do not randomly push buttons and move levers, if you do not know what you are doing—that can be dangerous in the best of circumstances. It can be especially dangerous with criminals' weapons, because they may have been altered or badly maintained. Be sure that when you handle recovered weapons you observe the four fundamental rules of firearm safety.

When you remove cartridges from a weapon, document the location of each cartridge and attempt to preserve any fingerprint evidence. For example, note which cartridge was in the chamber, and the order of the other cartridges contained in the weapon.

## SAFETIES AND SAFETY RULES

Unlike many common law enforcement handguns, some of the firearms below have a “safety.” The safety is a mechanical switch (usually a lever or button) that is designed to prevent firing when the safety is on. Some safeties also prevent the action from moving. Safeties are mechanical devices that can malfunction, fail, or be inadvertently deactivated. Never rely on a safety to provide “safety.” Follow all the fundamental rules of firearm safety even when a safety is activated.

Even after you have unloaded a weapon, all the fundamental rules of firearm safety still apply. “Unloaded” guns kill many people every year. There is always a risk of human error. A moment of distraction is all that's necessary for a life-ending tragedy. *You must obey the four fundamental firearm safety rules at all times.*

You must always follow the four rules of firearm safety, even if the gun is unloaded, and even if the safety is activated.

## BASIC FIREARM TYPES

Firearms can be divided into three main categories: handguns, rifles, and shotguns. Within each category there are different types of “actions”—the particular type of operating mechanism that makes the weapon function. You must recognize and understand each action to safely unload and secure these firearms. *If you encounter an unfamiliar or unusual firearm and you are uncertain how to proceed, request assistance instead of manipulating the firearm.*

### Handguns

There are three types of handgun action types:

- Semi-automatic
- Revolver
- Hinge-action

#### ***Semi-automatic handguns***

A semi-automatic handgun uses the energy of the fired cartridge to operate its action. You are already somewhat familiar with this type of handgun, as your law enforcement pistol is a semi-automatic. However, there are different types of semi-automatics that require additional steps to render safe. Some have visible hammers while others have strikers. Some have manual safeties that can prevent manipulation of the slide.

In all cases you will *first* remove the magazine, *and then* remove the round from the chamber. If you cycle the slide first and then remove the magazine, you may leave a round in the chamber, ready to fire.

A pistol is not unloaded just because the magazine is removed. Ammunition may be in the chamber, ready to fire.

1. *Remove the magazine.* Almost every semi-automatic handgun contains a cartridge in the barrel’s chamber, with extra ammunition in a detachable magazine. Remove the magazine by pressing the magazine release. The magazine release may be a button or lever located in the same position as the one on your pistol, or it might be on the butt of the grip, at the rear of the trigger guard, or just under the slide.
2. *Remove the round from the chamber.* To do this, you must usually retract the slide. However, some common semi-automatics have a safety that blocks movement of the slide.<sup>17</sup> In these cases, you will have to deactivate the handgun’s safety to retract the slide. Ensure the handgun is pointed in a safe direction and your finger is not in the trigger guard before deactivating the safety.
3. *Visually and physically check that no ammunition is in the chamber or magazine well.* Some handguns do not use an extractor,<sup>18</sup> or the extractor

<sup>17</sup> For example, the 1911, Browning Hi Power, and similar models.

<sup>18</sup> Beretta 21A and similar models have a tip-up barrel but no extractor.

may be broken. Ensure that no cartridge remains anywhere in the handgun.

4. *Lock the slide to the rear.* Most—but not all—handguns have a slide lock that can be used to lock the slide to the rear. If you are unable to locate a slide lock, set the weapon down pointed in a safe direction.

While pistols may or may not have visible hammers, they can all be safely cleared by following the process above.

### **Revolvers**

“Revolvers” hold ammunition in a cylinder which rotates into a firing position before each shot is fired. Revolvers may have cylinders that swing out for easy loading and unloading, or may have cylinders that require the cartridges to be pushed out with a rod, one at a time.

The main components of a double-action revolver with swing-out cylinder are shown below. If you pull the trigger of a “double-action” revolver, the trigger cocks and releases the hammer and rotates the cylinder. Most double-action revolvers have swing-out cylinders.



Figure 39: Revolver Parts; Loaded and Unloaded Revolver

To unload a revolver with a swing-out cylinder, perform the following actions. *Remember to keep the revolver pointed in a safe direction with your finger outside the trigger guard.*

1. Activate the cylinder release. (Depending on the model, it may need to be pushed forward, pulled back, or pressed inward.)
2. While pressing the cylinder release, push the cylinder sideways so it swings out of the revolver. While doing so, note which cylinder was aligned with the barrel of the weapon.
3. Examine the cylinder chambers for ammunition. *Look* into each cylinder.
4. If cartridge cases are present, remove them one at a time, documenting which cylinder each case came from. You might label the chamber that was in-line with the barrel as chamber #1, and progress around the cylinder in a clockwise fashion. Slightly press on the ejector rod to pull each case out far enough to be plucked from the cylinder.

Some revolvers do not have swing-out cylinders. Almost all “single-action” revolvers (which require the hammer to be manually cocked to fire) do not have swing-out cylinders. Instead, you will observe a loading gate at the rear of the cylinder.

1. Observe the hammer. Is it cocked? If so, block the hammer from falling by putting your thumb between the hammer and frame.
2. Attempt to open the loading gate. Some single-action revolvers require the hammer to be *slightly* cocked (“half-cock”) to open the loading gate.
  - a. If the hammer is cocked and you cannot open the loading gate, continue blocking the hammer and press the trigger. Slowly lower the hammer until it catches short of the frame. Continue to block the hammer. The loading gate should open.
  - b. If the hammer is not cocked, slightly pull back on the hammer until the loading gate can be opened.
3. Continue blocking the hammer. After the loading gate has been opened, press back on the ejector rod. Remove cartridges and cases one at a time, documenting which cylinder each case came from.
4. Repeat step #3 until every cylinder is empty. Re-examine the chambers to confirm all of them are empty.

### ***Hinge-Action***

Hinge-action handguns fire cartridges from a barrel that swings open for manual reloading. They may be a single-shot weapon, or may have two or more barrels (a “derringer”). Because they lack a reloading mechanism, these guns can be very small. They use a latch or button to swing open the barrel(s) for loading.

## Rifles

There are several kinds of rifle actions: semi-automatic, bolt, lever, pump, and single-shot. Because of the wide variety of models produced over the last 150 years, it is difficult to cover every model's idiosyncrasies. Some rifles have integral magazines that can be more difficult to unload, even requiring every round to be cycled through the action. Rifles may store ammunition in detachable magazines, tubes under the barrel or in the butt stock, or blind magazines that require every cartridge to be cycled through the action to unload. If you encounter an unfamiliar or unusual firearm and are uncertain how to proceed, request assistance instead of manipulating the firearm.

1. *Remove the magazine or ammunition, if possible.* If the rifle has a detachable magazine, remove it. If the rifle has a tubular magazine under the barrel or in the butt stock, empty the tube if possible. Do not put your hand in front of the muzzle when unloading a tube under the barrel.
2. *Open the action.*
  - a. *Bolt actions:* Lift the bolt handle upwards, and then pull it to the rear. Some safeties prevent the bolt handle from being moved while the safety is activated. Ensure the rifle is pointed in a safe direction and your finger is outside the trigger guard if you manipulate the safety.
  - b. *Lever actions:* Swing the lever downwards.
  - c. *Pump actions:* Before you can pull the pump handle to the rear, you will have to press the action release button. This is commonly located on the bottom of the rifle, near the trigger guard or bottom of the action.
  - d. *Single shot:* These actions will have a button or lever that allows the action to open.
  - e. *Semi-automatics:* Most actions have a handle or toggle that can be pulled to the rear to pull the bolt away from the chamber.
3. *Ensure the chamber is empty.* Opening the action may have extracted the cartridge from the chamber. However, a round could remain in the chamber. Perform a visual and physical check of the chamber.
4. *Remove all the remaining ammunition.* Rifles with integral magazines may still be loaded. A bolt action rifle may have ammunition in a blind magazine. Weapons with tube magazines may have one or more rounds ready to feed, even if you unloaded the tube in step one. If you are uncertain whether the rifle is still loaded, leave the action open and wait for additional assistance. The weapon cannot fire if the chamber is empty and the action is open.

## Shotguns

As with rifles, there are several kinds of shotgun actions: semi-automatic, bolt, lever, pump, and hinged with single or double-barrels. Because of the huge number of different models that have been manufactured, it is difficult to cover

every model's idiosyncrasies. If you encounter an unfamiliar or unusual model and are uncertain how to proceed, request assistance instead of manipulating the gun.

1. *Remove any detachable magazine.* If the shotgun has a detachable magazine, remove it. If the shotgun has a tubular magazine under the barrel, it is not possible to unload it until the action has been opened.
2. *Open the action.* This usually extracts any round from the chamber. However, you must perform a physical and visual check of the chamber to ensure it is empty.
  - a. *Bolt actions:* Lift the bolt handle upwards, and then pull it to the rear. Some bolt action safeties prevent the bolt handle from being moved when the safety is activated. Ensure the shotgun is pointed in a safe direction and your finger is outside the trigger guard if you manipulate the safety.
  - b. *Lever actions:* Swing the lever downwards.
  - c. *Pump or "slide" actions:* Before you can pull the pump handle to the rear, you will have to press the action release button. This is usually located on the bottom of the shotgun, near the trigger guard or bottom of the action.
  - d. *Hinged actions:* They may have one or two barrels. They use a lever to open the action.
  - e. *Semi-automatics:* Most of these have a handle or toggle that can be pulled to the rear to pull the bolt away from the chamber.
3. *Remove any round in the action.* When you opened the action you may have ejected a shell from the chamber. However, many shotguns release a round onto the action's shell lifter when you cycle the action. You must remove this round, which is in the action in preparation for chambering.
4. *Remove all the remaining ammunition.*
  - a. If the shotgun has an integral magazine tube, you may be able to release the rounds one at a time by alternately pressing the "shell stops" that hold ammunition in the tube. Your firearm instructor may demonstrate this.
  - b. If you are uncertain whether the shotgun is still loaded, leave the action open and wait for additional assistance. The weapon cannot fire if the chamber is empty and the action is open.

## **Muzzle-loaders**

It can be difficult to determine whether a muzzle-loader is loaded, and unloading these weapons can be difficult and may require special tools. If you find a muzzle-loading weapon, keep it pointed in a safe direction and request knowledgeable assistance.



# APPENDIX A: M16 CYCLE OF OPERATION

The “cycle of operation” describes how the rifle works. Understanding the function of each part of the rifle helps emphasize the importance of proper cleaning, inspection, and lubrication. The pictures and text below are quoted from U.S. Army Field Manual 3-22.9, *Rifle Marksmanship: M16A1, M16A2/3, M16A4 and M4 Carbine*, 2008.

## ***Feeding***

As the bolt carrier group moves rearward, it engages the buffer assembly and compresses the action spring into the lower receiver extension. When the bolt carrier group clears the top of the magazine, the expansion of the magazine spring forces the follower and a new round into the path of the forward movement of the bolt. The expansion of the action spring sends the buffer assembly and bolt carrier group forward with enough force to strip a new round from the magazine.

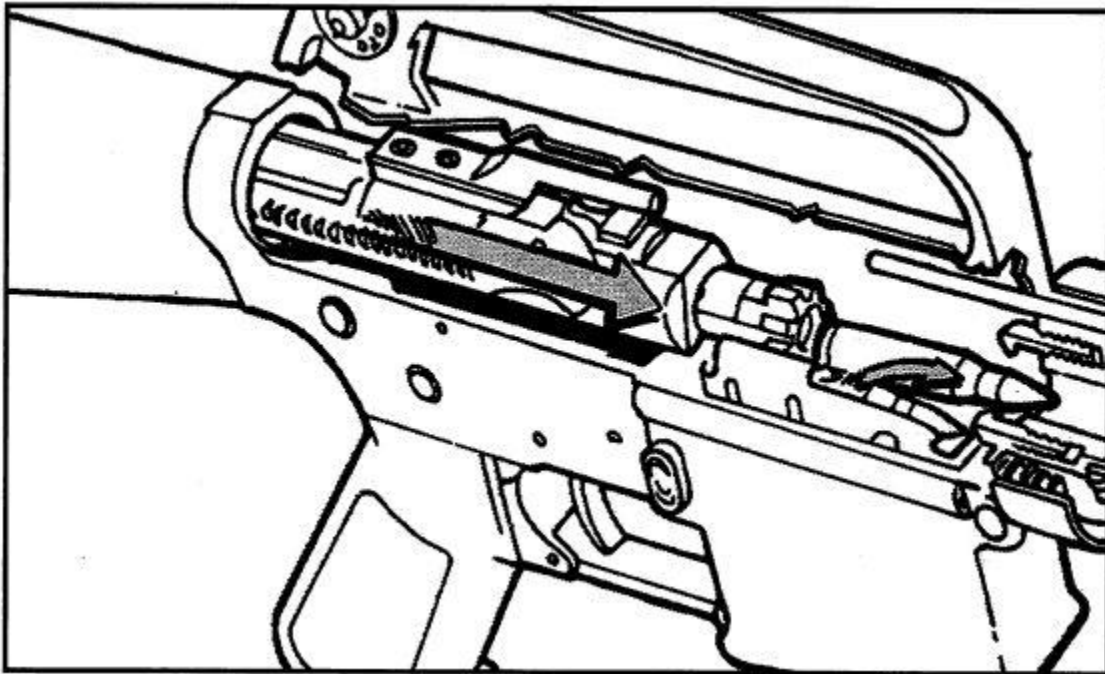


Figure 40: Feeding

### ***Chambering***

As the bolt carrier group continues to move forward, the face of the bolt thrusts the new round into the chamber. At the same time, the extractor claw grips the rim of the cartridge and the ejector is compressed.

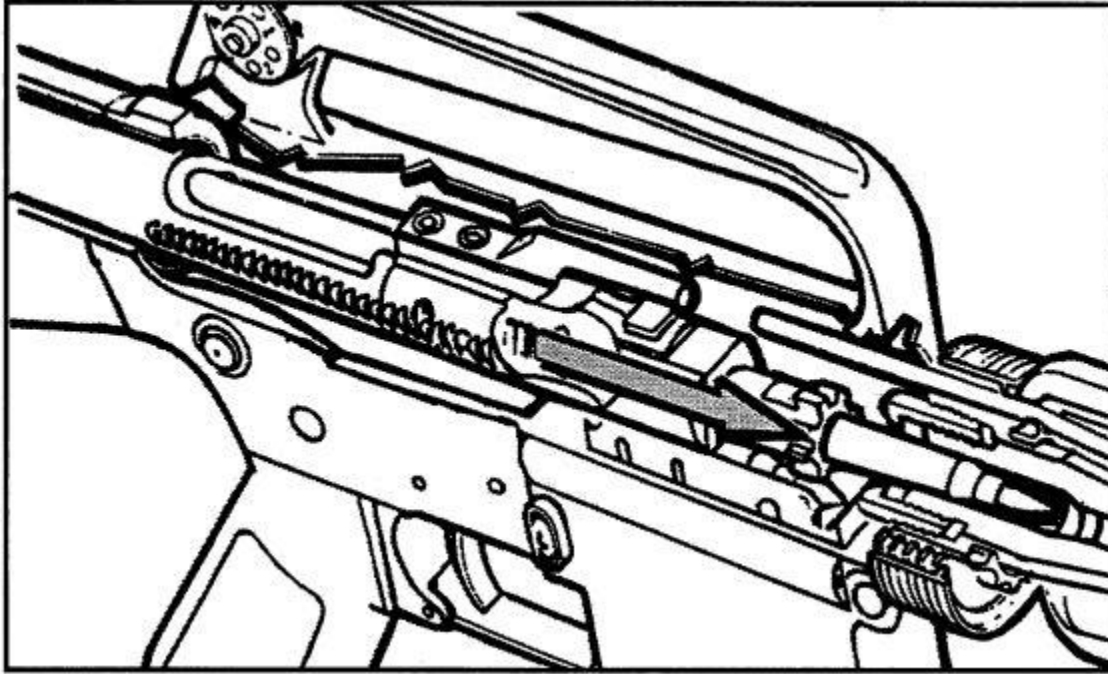


Figure 41: Chambering

### **Locking**

As the bolt carrier group moves forward, the bolt cam pin riding in the guide channel in the upper receiver keeps the bolt in its most forward position. Just before the bolt locking lugs make contact with the barrel extension, the bolt cam pin emerges from the guide channel. The pressure exerted by the contact of the bolt locking lugs and barrel extension causes the bolt cam pin to move along the cam track (located in the bolt carrier) in a counterclockwise direction, rotating the bolt locking lugs in line behind the barrel extension locking lugs.

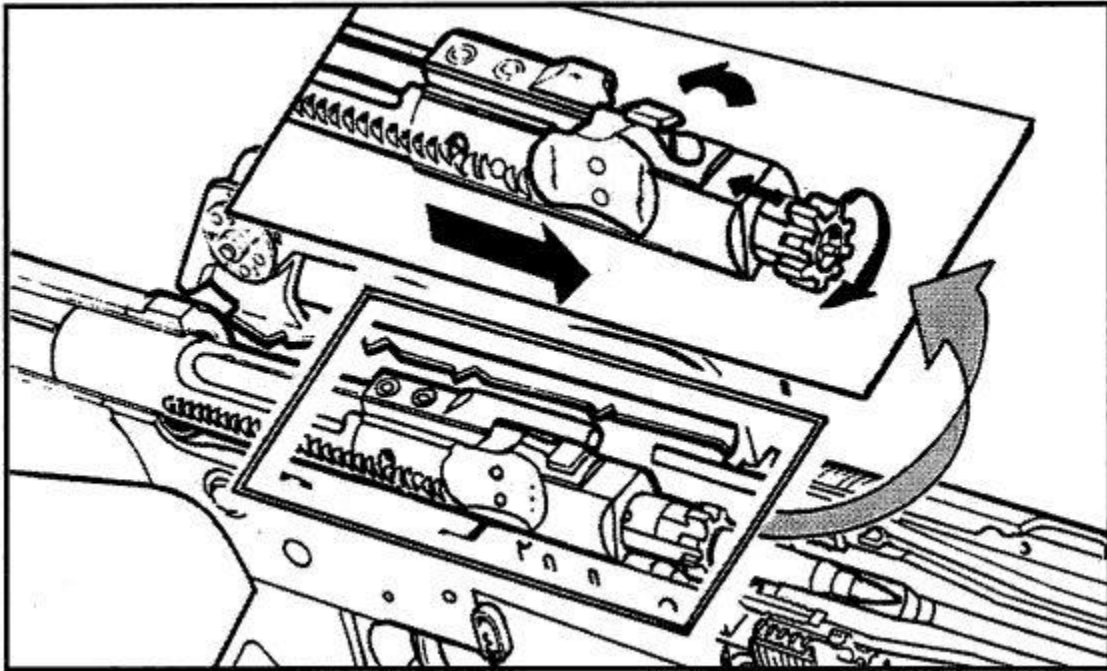


Figure 42: Locking

## **Firing**

With a round in the chamber, the hammer cocked, and the selector on SEMI, the firer squeezes the trigger. The trigger rotates on the trigger pin, depressing the nose of the trigger and disengaging the notch on the bottom of the hammer. The hammer spring drives the hammer forward. The hammer strikes the head of the firing pin, driving the firing pin through the bolt and into the primer of the round. The primer ignites, causing the powder in the cartridge to ignite. The gas generated by the rapid burning of the powder forces the projectile from the cartridge and propels it through the barrel. After the projectile has passed the gas port (located on the upper surface of the barrel under the front sight) and before it leaves the barrel, gas enters the gas port and moves into the gas tube. The gas tube directs the gas into the bolt carrier. It passes down through the key and into a space between the rear of the carrier's bolt cavity and the rear of the bolt itself. Then, the gas expands. The bolt is locked into the barrel extension, unable to move forward; the carrier is forced to the rear by the expanding gas.

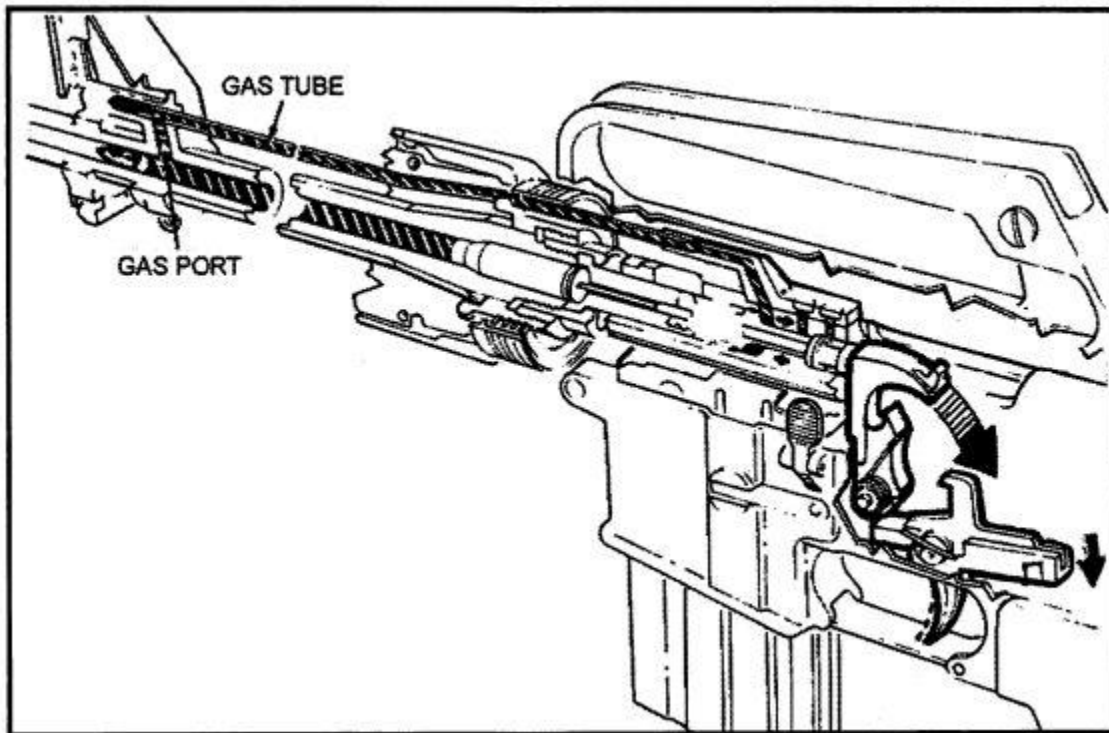


Figure 43: Firing

### ***Unlocking***

As the bolt carrier moves to the rear, the bolt cam pin follows the path of the cam track (located in the bolt carrier). The cam pin and bolt assembly rotate simultaneously until the locking lugs of the bolt are no longer in line behind the locking lugs of the barrel extension.

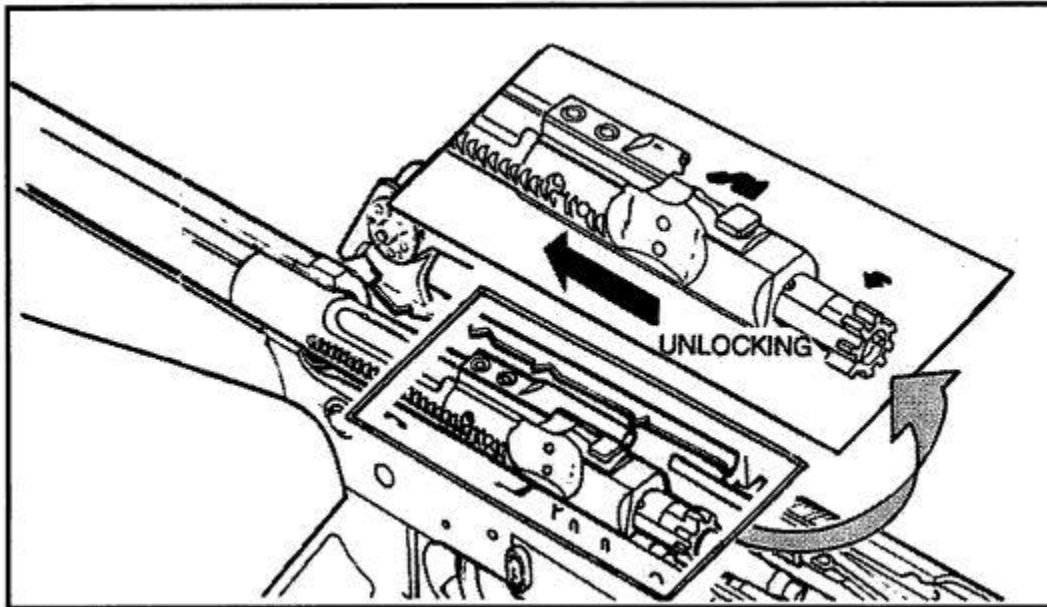


Figure 44: Unlocking

### ***Extracting***

The bolt carrier group continues to move to the rear. The extractor (which is attached to the bolt) grips the rim of the cartridge case, holds it firmly against the face of the bolt, and withdraws the cartridge case from the chamber.

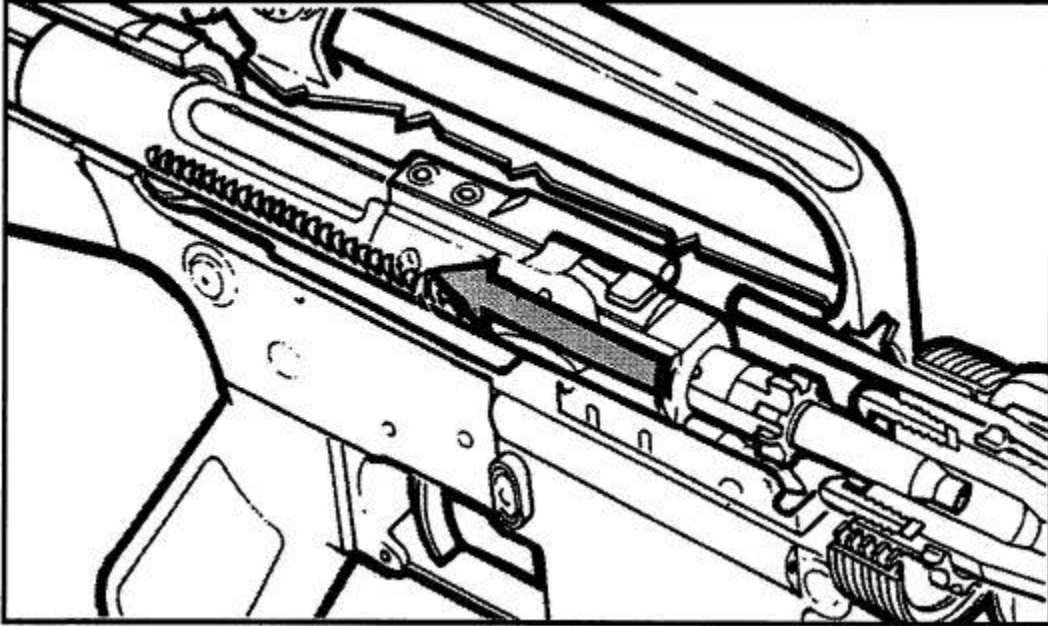


Figure 45: Extracting

### ***Ejecting***

With the base of a cartridge case firmly against the face of the bolt, the ejector and ejector spring are compressed into the bolt body. As the rearward movement of the bolt carrier group allows the nose of the cartridge case to clear the front of the ejection port, the cartridge is pushed out by the action of the ejector and ejector spring.

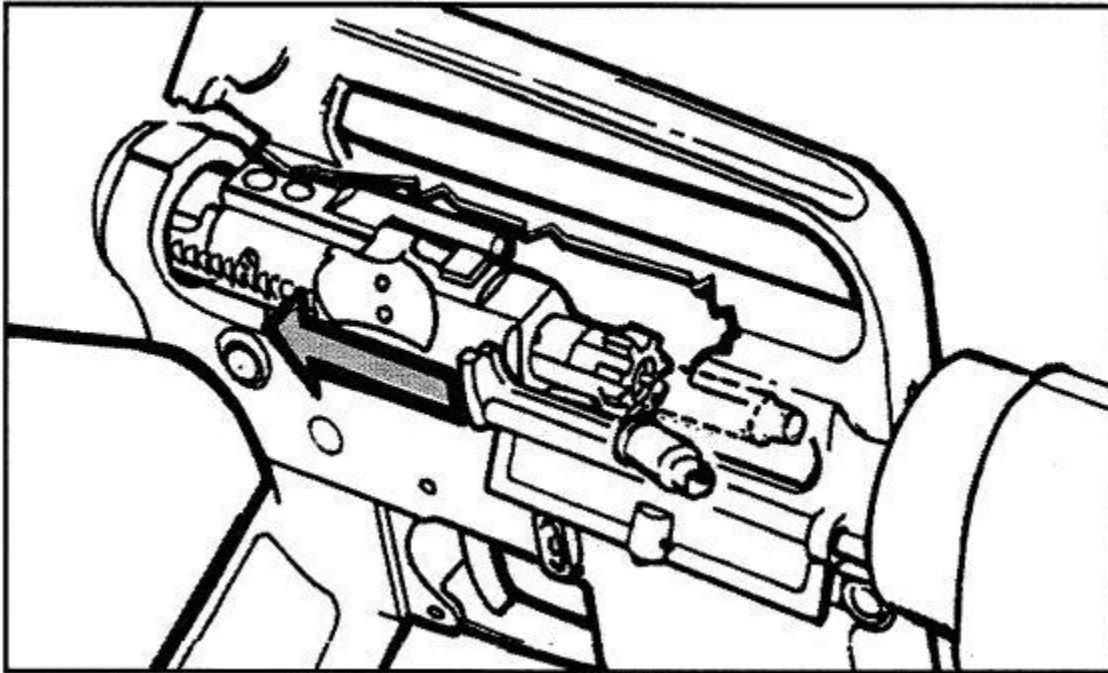


Figure 46: Ejecting

**Cocking**

The rearward movement of the bolt carrier overrides the hammer. The hammer is forced down into the receiver, and the hammer spring is compressed.

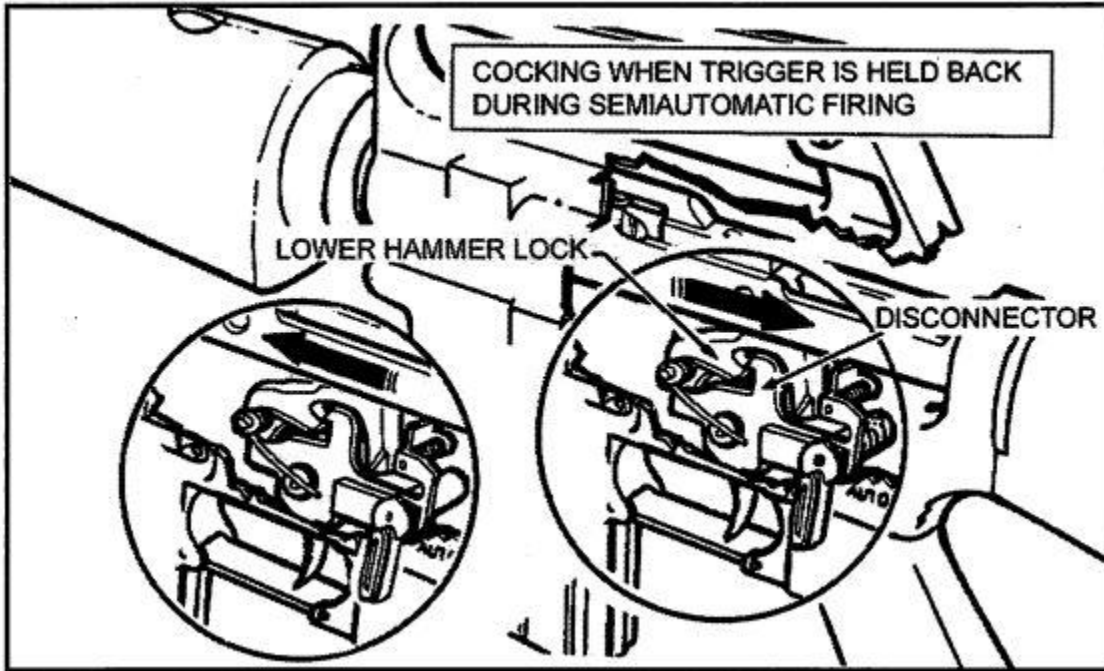


Figure 47: Cocking



# APPENDIX B: SHOTGUNS

Law enforcement agencies have adopted various kinds of long guns. The most common types are rifles and shotguns.

Shotguns are a traditional and versatile weapon system. Shotguns are capable of firing several different kinds of ammunition:

- “Shot” cartridges contain multiple spherical projectiles which begin to disperse or “spread” after leaving the barrel
- “Slug” cartridges contain one large projectile
- “Less-lethal” specialty rounds, such as beanbags or rubber buckshot
- “Gas” rounds, such as O.C. or teargas

Law enforcement shotguns are available in two common actions. The most common is the “pump” action shotgun, where the user manually cycles the action between shots by pulling and pushing (*i.e.* “pumping”) the fore-end. Semi-automatic shotguns reload themselves using the energy of the fired cartridge to operate the action.

## SAFETIES

Most shotguns have a manual safety that serves the same purpose as the selector on an AR-15. When activated by the user, the “safety” renders the trigger inoperative. However, the safety is a mechanical device, subject to failure. Furthermore, most long gun safeties do not block the firing pin. You must always use the same proper weapon handling practices with long guns that you use with your pistol, even if the safety is applied:

1. Assume all guns are loaded.
2. Never let the muzzle cross anything you are not willing to destroy.
3. Keep your finger off the trigger and outside the trigger guard until you are firing.
4. Know your target and what’s beyond it.

## NOMENCLATURE

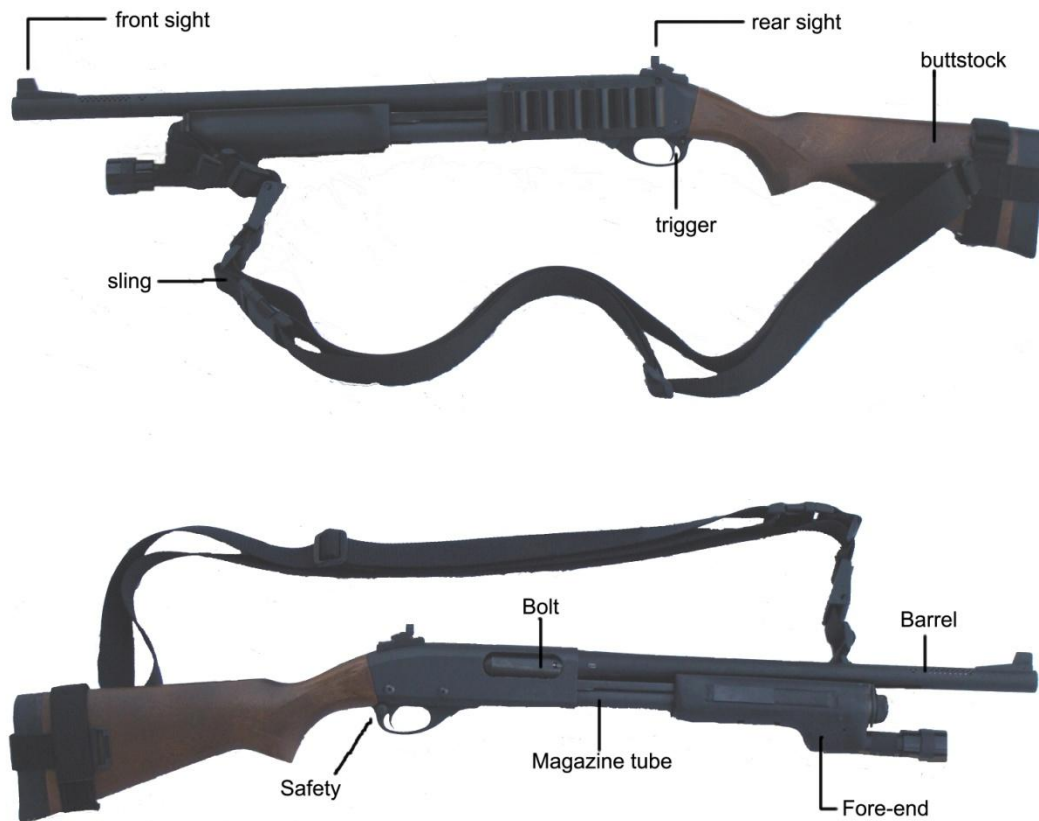


Figure 48: Shotgun Nomenclature

Almost all shotguns use a fixed tubular magazine that extends forward from the action underneath the barrel. When the action cycles, the magazine spring pushes a cartridge past the “shell stops” onto a “shell lifter” which raises the cartridge in front of the bolt. When the bolt closes, the cartridge is fed into the chamber.

### Loading, Reloading, and Unloading

Different shotgun models have different loading, reloading, and unloading methods. Basic principles shared by all shotguns include:

- Shotguns usually contain 4-6 cartridges in the magazine tube. Because of the limited ammunition supply, you should perform an in-battery reload during any lull in the gunfight (if spare ammunition is available).
- Cartridges must be pressed completely past the “shell stops” when loading the magazine.
- When unloading, remove cartridges from the magazine using the “shell stops”—not by chambering then ejecting each round.

## **Malfunctions**

If the officer is in a gunfight within effective handgun range, the immediate “fix” of a shotgun malfunction is to transition to the handgun. Transitioning to the handgun is faster than fixing a shotgun malfunction.

When you have the opportunity, diagnose the shotgun malfunction by opening the action. Remove any fired cartridges and ensure one unfired cartridge is present on the shell lifter. Close the action and reassess the situation.

Shotgun malfunctions are typically caused by faulty, defective, or underpowered ammunition; a shotgun that is dirty or has a broken part; or failure of the user to properly manipulate the shotgun.

THIS PAGE INTENTIONALLY LEFT BLANK

# APPENDIX C: REVOLVERS

While you will be trained to carry a semi-automatic pistol as your duty sidearm, some law enforcement officers carry a revolver as a back-up or off-duty weapon. While the fundamentals of use are the same for both, the weapons function differently, and there are differences in cleaning procedures, and loading/unloading procedures. This appendix provides that information.

## HOW A REVOLVER WORKS

In a semi-automatic pistol, the recoil cycles the slide, which extracts and ejects the spent casing and feeds a new round from the magazine into the chamber. In a revolver, six (sometimes 5) rounds are held in a cylinder located directly behind the barrel. When the trigger is pulled on a double-action revolver, a mechanical linkage cocks and releases the hammer.<sup>19</sup> The firing pin strikes the primer of the round that is in line with the barrel, and the round fires.

The next time the trigger is pulled, the cylinder is rotated until the next round is in position to be fired. The spent casings are not ejected automatically. When all rounds have been fired, the officer releases the cylinder latch, and the cylinder swings out away from the frame of the weapon. The officer can then eject the spent casings by pushing the ejector rod. The weapon is then ready to be reloaded.

## CLEANING A REVOLVER

Follow this procedure to clean your revolver:

1. Attach a bristle bore brush to a cleaning rod. Dip the brush in a small container of clean solvent.
2. With the revolver cylinder open, push the brush all the way through the barrel, then pull it back, several times. Do not change direction when the brush is still in the barrel.
3. Repeat this procedure for each chamber of the cylinder. Hold the cylinder as you push the brush all the way through from rear to front and back through each chamber.
4. Clean the remaining parts of the cylinder and frame.
5. Attach a clean patch to the cleaning rod and push it through the barrel and cylinder chambers. Repeat, using a clean patch each time, until the patch comes out clean. Wipe any residue from the areas you've brushed.
6. Place one drop of oil on the following parts of your revolver:
  - a. Around the base of the hammer, working the action to distribute oil.

---

<sup>19</sup> A single-action revolver requires that the hammer be cocked by hand.

- b. On the ejector rod, pushing it several times to distribute the oil.
  - c. On the crane hinge.
  - d. Place a drop on a clean patch and push it through each chamber of the cylinder.
7. Tighten all exterior screws. Make certain that the grips are firmly attached.
  8. Wipe your entire handgun with a silicone-treated cloth or a lightly-oiled cloth.

## **UNLOADING AND LOADING A REVOLVER**

### **Unloading**

To unload your revolver if you are right-handed:

1. Place the right side of your revolver in the palm of your left hand. Place your right thumb on the cylinder latch. Keep the revolver muzzle pointed down-range.
2. Release the cylinder latch with your right thumb.
3. Push the cylinder through the frame with the middle and ring fingers of your left hand, while keeping your first (index) and little fingers on the hammer.
4. Raise the revolver muzzle to a vertical position and push the ejector rod to the rear several times with your left thumb to eject empty cartridges. While using your left hand to eject cartridges, reach for more ammunition with your right hand.

To unload your revolver if you're left-handed:

1. Place the right side of your revolver in the palm of your right hand. Place your left index finger on the cylinder latch. Keep the revolver muzzle pointed down-range.
2. Pull back, or push forward or push down on the cylinder latch with your left index finger.
3. Push the cylinder through the frame with your right thumb.
4. Raise the revolver muzzle to a vertical position and push the ejector rod to the rear several times with your right index finger to eject empty cartridges.

While doing this with your right hand, reach for more cartridges with your left hand.

### **Reloading**

#### ***Right-handed:***

1. Lower the muzzle.
2. Rotate the cylinder with your left thumb and middle finger.
3. Insert cartridges into the cylinder with your right hand.

4. Rotate the cylinder slightly after each chamber is loaded, so that an empty chamber is up and ready to receive the next cartridge.
5. After reloading, push the cylinder securely into the frame. Don't "snap" it into the frame.

### ***Left-handed:***

1. Lower the muzzle.
2. Rotate the cylinder with your right thumb and middle finger.
3. Insert cartridges into the top chambers of the cylinder with your left hand.
4. After reloading, push the cylinder securely into the frame. Don't "snap" it into the frame.

### **Ammunition Carry**

Additionally, your reloading method depends on the type of cartridge carrier you use. This mainly affects your reloading speed.

***Belt loops.*** If you carry ammunition in belt loops, follow this method. Push the cartridges up from beneath the loops. Your goal should be to load two cartridges at a time. Push every cartridge up, or push six up at a time. Then, hold the cartridges by their primer end, and remove two at a time from the loops. There may not be time for you to reload a full cylinder. Just load as many rounds as you can.

If you have time to load only a few cartridges, you'll want to be able to fire right away without pulling the trigger on empty cylinders. Begin reloading by placing rounds high into the cylinder. Be sure you know your weapon's cylinder rotation direction.

***Dump (drop) pouches.*** If you carry ammunition in dump (drop) pouches, use this method. As you unsnap a pouch and it lowers, cartridges will tumble into your hand. You will need to then properly position rounds in your hand to load them. Start reloading from the top of the cylinder, loading down the left or right sides, depending on the cylinder rotation. You may be tempted to load six rounds every time, because you'll have that many in your hand after you dump a pouch. However, in combat shooting you should load as many cartridges as you can and drop the rest.

***Speed loaders.*** If you carry ammunition in speed loaders, use this method. You should consistently bring the loader to the cylinder and align them so cartridges will drop smoothly into the chambers. Be sure that the gun is pointing downward. Bring the loader to the cylinder at a slight angle. Align a cartridge with a chamber, and use them as a guide to load the other chambers. After loading, drop the empty loader.

Whichever reloading method you use, do so by "feel" as much as possible. If you have to watch your hands and weapon to reload, you cannot also watch for threats.



## **APPENDIX D: BASIC CASE LAW**

1. TERRY V. OHIO, 392 U.S. 1 (1968)
2. GRAHAM V. CONNOR, 490 U.S. 386 (1989)
3. TENNESSEE V. GARNER, 471 U.S. 1 (1985)

# TERRY V. OHIO

U.S. Supreme Court  
TERRY v. OHIO (1968)<sup>viii</sup>

392 U.S. 1

No. 67

Argued December 12, 1967

Decided June 10, 1968

A Cleveland detective (McFadden), on a downtown beat which he had been patrolling for many years, observed two strangers (petitioner and another man, Chilton) on a street corner. He saw them proceed alternately back and forth along an identical route, pausing to stare in the same store window, which they did for a total of about 24 times. Each completion of the route was followed by a conference between the two on a corner, at one of which they were joined by a third man (Katz) who left swiftly. Suspecting the two men of "casing a job, a stick-up," the officer followed them and saw them rejoin the third man a couple of blocks away in front of a store. The officer approached the three, identified himself as a policeman, and asked their names. The men "mumbled something," whereupon McFadden spun petitioner around, patted down his outside clothing, and found in his overcoat pocket, but was unable to remove, a pistol. The officer ordered the three into the store. He removed petitioner's overcoat, took out a revolver, and ordered the three to face the wall with their hands raised. He patted down the outer clothing of Chilton and Katz and seized a revolver from Chilton's outside overcoat pocket. He did not put his hands under the outer garments of Katz (since he discovered nothing in his pat-down which might have been a weapon), or under petitioner's or Chilton's outer garments until he felt the guns. The three were taken to the police station. Petitioner and Chilton were charged with carrying [392 U.S. 1, 2] concealed weapons. The defense moved to suppress the weapons. Though the trial court rejected the prosecution theory that the guns had been seized during a search incident to a lawful arrest, the court denied the motion to suppress and admitted the weapons into evidence on the ground that the officer had cause to believe that petitioner and Chilton were acting suspiciously, that their interrogation was warranted, and that the officer for his own protection had the right to pat down their outer clothing having reasonable cause to believe that they might be armed. The court distinguished between an investigatory "stop" and an arrest, and between a "frisk" of the outer clothing for weapons and a full-blown search for evidence of crime. Petitioner and Chilton were found guilty, an intermediate appellate court affirmed, and the State Supreme Court dismissed the appeal on the ground that "no substantial constitutional question" was involved.

## ***Held:***

1. The Fourth Amendment right against unreasonable searches and seizures, made applicable to the States by the Fourteenth Amendment, "protects people, not places," and therefore applies as much to the citizen on the streets as well as at home or elsewhere. Pp. 8-9.

2. The issue in this case is not the abstract propriety of the police conduct but the admissibility against petitioner of the evidence uncovered by the search and seizure. P. 12.
3. The exclusionary rule cannot properly be invoked to exclude the products of legitimate and restrained police investigative techniques; and this Court's approval of such techniques should not discourage remedies other than the exclusionary rule to curtail police abuses for which that is not an effective sanction. Pp. 13-15.
4. The Fourth Amendment applies to "stop and frisk" procedures such as those followed here. Pp. 16-20.
  - (a) Whenever a police officer accosts an individual and restrains his freedom to walk away, he has "seized" that person within the meaning of the Fourth Amendment. P. 16.
  - (b) A careful exploration of the outer surfaces of a person's clothing in an attempt to find weapons is a "search" under that Amendment. P. 16.
5. ***Where a reasonably prudent officer is warranted in the circumstances of a given case in believing that his safety or that of others is endangered, he may make a reasonable search for weapons of the person believed by him to be armed and dangerous [392 U.S. 1, 3] regardless of whether he has probable cause to arrest that individual for crime or the absolute certainty that the individual is armed.*** Pp. 20-27.
  - (a) Though the police must whenever practicable secure a warrant to make a search and seizure, that procedure cannot be followed where swift action based upon on-the-spot observations of the officer on the beat is required. P. 20.
  - (b) The reasonableness of any particular search and seizure must be assessed in light of the particular circumstances against the standard of whether a man of reasonable caution is warranted in believing that the action taken was appropriate. Pp. 21-22.
  - (c) The officer here was performing a legitimate function of investigating suspicious conduct when he decided to approach petitioner and his companions. P. 22.
  - (d) An officer justified in believing that an individual whose suspicious behavior he is investigating at close range is armed may, to neutralize the threat of physical harm, take necessary measures to determine whether that person is carrying a weapon. P. 24.
  - (e) A search for weapons in the absence of probable cause to arrest must be strictly circumscribed by the exigencies of the situation. Pp. 25-26.
  - (f) An officer may make an intrusion short of arrest where he has reasonable apprehension of danger before being possessed of information justifying arrest. Pp. 26-27.
6. The officer's protective seizure of petitioner and his companions and the limited search which he made were reasonable, both at their inception and as conducted. Pp. 27-30.
  - (a) The actions of petitioner and his companions were consistent with the officer's hypothesis that they were contemplating a daylight robbery and were armed. P. 28.

- (b) The officer's search was confined to what was minimally necessary to determine whether the men were armed, and the intrusion, which was made for the sole purpose of protecting himself and others nearby, was confined to ascertaining the presence of weapons. Pp. 29-30.
7. The revolver seized from petitioner was properly admitted into evidence against him, since the search which led to its seizure was reasonable under the Fourth Amendment. Pp. 30-31.

Affirmed. [392 U.S. 1, 4]

---

MR. CHIEF JUSTICE WARREN delivered the opinion of the Court.

This case presents serious questions concerning the role of the Fourth Amendment in the confrontation on the street between the citizen and the policeman investigating suspicious circumstances.

Petitioner Terry was convicted of carrying a concealed weapon and sentenced to the statutorily prescribed term of one to three years in the penitentiary. Following the denial of a pretrial motion to suppress, the prosecution introduced in evidence two revolvers and a number of bullets seized from Terry and a codefendant, Richard Chilton, by Cleveland Police Detective Martin McFadden. At the hearing on the motion to suppress this evidence, Officer McFadden testified that while he was patrolling in plain clothes in downtown Cleveland at approximately 2:30 in the afternoon of October 31, 1963, his attention was attracted by two men, Chilton and Terry, standing on the corner of Huron Road and Euclid Avenue. He had never seen the two men before, and he was unable to say precisely what first drew his eye to them. However, he testified that he had been a policeman for 39 years and a detective for 35 and that he had been assigned to patrol this vicinity of downtown Cleveland for shoplifters and pickpockets for 30 years. He explained that he had developed routine habits of observation over the years and that he would "stand and watch people or walk and watch people at many intervals of the day." He added: "Now, in this case when I looked over they didn't look right to me at the time."

His interest aroused, Officer McFadden took up a post of observation in the entrance to a store 300 to 400 feet away from the two men. "I get more purpose to watch them when I seen their movements," he testified. He saw one of the men leave the other one and walk southwest on Huron Road, past some stores. The man paused for a moment and looked in a store window, then walked on a short distance, turned around and walked back toward the corner, pausing once again to look in the same store window. He rejoined his companion at the corner, and the two conferred briefly. Then the second man went through the same series of motions, strolling down Huron Road, looking in the same window, walking on a short distance, turning back, peering in the store window again, and returning to confer with the first man at the corner. The two men repeated this ritual alternately between five and six times apiece - in all, roughly a dozen trips. At one point, while the two were standing together on the corner, a third man approached them and engaged them briefly in conversation. This man then left the two others and walked west on Euclid Avenue. Chilton and Terry resumed their measured pacing, peering, and conferring. After this had gone on for 10 to 12 minutes, the two men walked off together, heading west on Euclid Avenue, following the path taken earlier by the third man.

By this time Officer McFadden had become thoroughly suspicious. He testified that after observing their elaborately casual and oft-repeated reconnaissance of the store window on Huron Road, he suspected the two men of "casing a job, a stick-up," and that he considered it his duty as a police officer to investigate further. He added that he feared "they may have a gun." Thus, Officer McFadden followed Chilton and Terry and saw them stop in front of Zucker's store to talk to the same man who had conferred with them earlier on the street corner. Deciding that the situation was ripe for direct action, Officer McFadden approached the three men,

identified himself as a police officer and asked for their names. At this point his knowledge was confined to what he had observed. He was not acquainted with any of the three men by name or by sight, and he had received no information concerning them from any other source. When the men "mumbled something" in response to his inquiries, Officer McFadden grabbed petitioner Terry, spun him around so that they were facing the other two, with Terry between McFadden and the others, and patted down the outside of his clothing. In the left breast pocket of Terry's overcoat Officer McFadden felt a pistol. He reached inside the overcoat pocket, but was unable to remove the gun. At this point, keeping Terry between himself and the others, the officer ordered all three men to enter Zucker's store. As they went in, he removed Terry's overcoat completely, removed a .38-caliber revolver from the pocket and ordered all three men to face the wall with their hands raised. Officer McFadden proceeded to pat down the outer clothing of Chilton and the third man, Katz. He discovered another revolver in the outer pocket of Chilton's overcoat, but no weapons were found on Katz. The officer testified that he only patted the men down to see whether they had weapons, and that he did not put his hands beneath the outer garments of either Terry or Chilton until he felt their guns. So far as appears from the record, he never placed his hands beneath Katz' outer garments. Officer McFadden seized Chilton's gun, asked the proprietor of the store to call a police wagon, and took all three men to the station, where Chilton and Terry were formally charged with carrying concealed weapons.

On the motion to suppress the guns the prosecution took the position that they had been seized following a search incident to a lawful arrest. The trial court rejected this theory, stating that it "would be stretching the facts beyond reasonable comprehension" to find that Officer [392 U.S. 1, 8] McFadden had had probable cause to arrest the men before he patted them down for weapons. However, the court denied the defendants' motion on the ground that Officer McFadden, on the basis of his experience, "had reasonable cause to believe . . . that the defendants were conducting themselves suspiciously, and some interrogation should be made of their action." Purely for his own protection, the court held, the officer had the right to pat down the outer clothing of these men, who he had reasonable cause to believe might be armed. The court distinguished between an investigatory "stop" and an arrest, and between a "frisk" of the outer clothing for weapons and a full-blown search for evidence of crime. The frisk, it held, was essential to the proper performance of the officer's investigatory duties, for without it "the answer to the police officer may be a bullet, and a loaded pistol discovered during the frisk is admissible."

After the court denied their motion to suppress, Chilton and Terry waived jury trial and pleaded not guilty. The court adjudged them guilty, and the Court of Appeals for the Eighth Judicial District, Cuyahoga County, affirmed. *State v. Terry*, 5 Ohio App. 2d 122, 214 N. E. 2d 114 (1966). The Supreme Court of Ohio dismissed their appeal on the ground that no "substantial constitutional question" was involved. We granted certiorari, 387 U.S. 929 (1967), to determine whether the admission of the revolvers in evidence violated petitioner's rights under the Fourth Amendment, made applicable to the States by the Fourteenth. *Mapp v. Ohio*, (1961). We affirm the conviction.

#### I.

The Fourth Amendment provides that "the right of the people to be secure in their persons, houses, papers, and effects, against unreasonable searches and seizures, shall not be violated . . . ." This inestimable right of personal security belongs as much to the citizen on the streets of our cities as to the homeowner closeted in his study to dispose of his secret affairs. For, as this Court has always recognized, "No right is held more sacred, or is more carefully guarded, by the common law, than the right of every individual to the possession and control of his own person, free from all restraint or interference of others, unless by clear and unquestionable authority of law." *Union Pac. R. Co. v. Botsford*, 141 U.S. 250, 251 (1891).

We have recently held that "the Fourth Amendment protects people, not places," *Katz v. United States*, 389 U.S. 347, 351 (1967), and wherever an individual may harbor a reasonable "expectation of privacy," *id.*, at 361 (MR. JUSTICE HARLAN, concurring), he is entitled to be free from unreasonable governmental intrusion. Of course, the specific content and incidents of this

right must be shaped by the context in which it is asserted. For "what the Constitution forbids is not all searches and seizures, but unreasonable searches and seizures." *Elkins v. United States*, 364 U.S. 206, 222 (1960). Unquestionably petitioner was entitled to the protection of the Fourth Amendment as he walked down the street in Cleveland. *Beck v. Ohio*, 379 U.S. 89 (1964); *Rios v. United States*, 364 U.S. 253 (1960); *Henry v. United States*, 361 U.S. 98 (1959); *United States v. Di Re*, 332 U.S. 581 (1948); *Carroll v. United States*, 267 U.S. 132 (1925). The question is whether in all the circumstances of this on-the-street encounter, his right to personal security was violated by an unreasonable search and seizure.

We would be less than candid if we did not acknowledge that this question thrusts to the fore difficult and troublesome issues regarding a sensitive area of police activity - issues which have never before been squarely presented to this Court. Reflective of the tensions involved are the practical and constitutional arguments pressed with great vigor on both sides of the public debate over the power of the police to "stop and frisk" - as it is sometimes euphemistically termed - suspicious persons.

On the one hand, it is frequently argued that in dealing with the rapidly unfolding and often dangerous situations on city streets the police are in need of an escalating set of flexible responses, graduated in relation to the amount of information they possess. For this purpose it is urged that distinctions should be made between a "stop" and an "arrest" (or a "seizure" of a person), and between a "frisk" and a "search." Thus, it is argued, the police should be allowed to "stop" a person and detain him briefly for questioning upon suspicion that he may be connected with criminal activity. Upon suspicion that the person may be armed, the police should have the power to "frisk" him for weapons. If the "stop" and the "frisk" give rise to probable cause to believe that the suspect has committed a crime, then the police should be empowered to make a formal "arrest," and a full incident "search" of the person. This scheme is justified in part upon the notion that a "stop" and a "frisk" amount to a mere "minor inconvenience and petty indignity,"<sup>4</sup> which can properly be imposed upon the citizen in the interest of effective law enforcement on the basis of a police officer's suspicion.

On the other side the argument is made that the authority of the police must be strictly circumscribed by the law of arrest and search as it has developed to date in the traditional jurisprudence of the Fourth Amendment. It is contended with some force that there is not - and cannot be - a variety of police activity which does not depend solely upon the voluntary cooperation of the citizen and yet which stops short of an arrest based upon probable cause to make such an arrest. The heart of the Fourth Amendment, the argument runs, is a severe requirement of specific justification for any intrusion upon protected personal security, coupled with a highly developed system of judicial controls to enforce upon the agents of the State the commands of the Constitution. Acquiescence by the courts in the compulsion inherent in the field interrogation practices at issue here, it is urged, would constitute an abdication of judicial control over, and indeed an encouragement of, substantial interference with liberty and personal security by police officers whose judgment is necessarily colored by their primary involvement in "the often competitive enterprise of ferreting out crime." *Johnson v. United States*, 333 U.S. 10, 14 (1948). This, it is argued, can only serve to exacerbate police-community tensions in the crowded centers of our Nation's cities.

In this context we approach the issues in this case mindful of the limitations of the judicial function in controlling the myriad daily situations in which policemen and citizens confront each other on the street. The State has characterized the issue here as "the right of a police officer . . . to make an on-the-street stop, interrogate and pat down for weapons (known in street vernacular as 'stop and frisk')." But this is only partly accurate. For the issue is not the abstract propriety of the police conduct, but the admissibility against petitioner of the evidence uncovered by the search and seizure. Ever since its inception, the rule excluding evidence seized in violation of the Fourth Amendment has been recognized as a principal mode of discouraging lawless police conduct. See *Weeks v. United States*, 232 U.S. 383, 391-393 (1914). Thus its major thrust is a deterrent one, see *Linkletter v. Walker*, 381 U.S. 618, 629-635 (1965), and experience has taught that it is the only effective deterrent to police misconduct in the criminal context, and that without it the

constitutional guarantee against unreasonable searches and seizures would be a mere "form of words." *Mapp v. Ohio*, 367 U.S. 643, 655 (1961). The rule also serves another vital function - "the imperative of judicial integrity." *Elkins v. United States*, 364 U.S. 206, 222 (1960). Courts which sit under our Constitution cannot and will not be made party to lawless invasions of the constitutional rights of citizens by permitting unhindered governmental use of the fruits of such invasions. Thus in our system evidentiary rulings provide the context in which the judicial process of inclusion and exclusion approves some conduct as comporting with constitutional guarantees and disapproves other actions by state agents. A ruling admitting evidence in a criminal trial, we recognize, has the necessary effect of legitimizing the conduct which produced the evidence, while an application of the exclusionary rule withholds the constitutional imprimatur.

The exclusionary rule has its limitations, however, as a tool of judicial control. It cannot properly be invoked to exclude the products of legitimate police investigative techniques on the ground that much conduct which is closely similar involves unwarranted intrusions upon constitutional protections. Moreover, in some contexts the rule is ineffective as a deterrent. Street encounters between citizens and police officers are incredibly rich in diversity. They range from wholly friendly exchanges of pleasantries or mutually useful information to hostile confrontations of armed men involving arrests, or injuries, or loss of life. Moreover, hostile confrontations are not all of a piece. Some of them begin in a friendly enough manner, only to take a different turn upon the injection of some unexpected element into the conversation. Encounters are initiated by the police for a wide variety of purposes, some of which are wholly unrelated to a desire to prosecute for crime. Doubtless some police "field interrogation" conduct violates the Fourth Amendment. But a stern refusal by this Court to condone such activity does not necessarily render it responsive to the exclusionary rule. Regardless of how effective the rule may be where obtaining convictions is an important objective of the police, it is powerless to deter invasions of constitutionally guaranteed rights where the police either have no interest in prosecuting or are willing to forgo successful prosecution in the interest of serving some other goal.

Proper adjudication of cases in which the exclusionary rule is invoked demands a constant awareness of these limitations. The wholesale harassment by certain elements of the police community, of which minority groups, particularly Negroes, frequently complain, will not be stopped by the exclusion of any evidence from any criminal trial. Yet a rigid and unthinking application of the exclusionary rule, in futile protest against practices which it can never be used effectively to control, may exact a high toll in human injury and frustration of efforts to prevent crime. No judicial opinion can comprehend the protean variety of the street encounter, and we can only judge the facts of the case before us. Nothing we say today is to be taken as indicating approval of police conduct outside the legitimate investigative sphere. Under our decision, courts still retain their traditional responsibility to guard against police conduct which is overbearing or harassing, or which trenches upon personal security without the objective evidentiary justification which the Constitution requires. When such conduct is identified, it must be condemned by the judiciary and its fruits must be excluded from evidence in criminal trials. And, of course, our approval of legitimate and restrained investigative conduct undertaken on the basis of ample factual justification should in no way discourage the employment of other remedies than the exclusionary rule to curtail abuses for which that sanction may prove inappropriate.

Having thus roughly sketched the perimeters of the constitutional debate over the limits on police investigative conduct in general and the background against which this case presents itself, we turn our attention to the quite narrow question posed by the facts before us: whether it is always unreasonable for a policeman to seize a person and subject him to a limited search for weapons unless there is probable cause for an arrest. Given the narrowness of this question, we have no occasion to canvass in detail the constitutional limitations upon the scope of a policeman's power when he confronts a citizen without probable cause to arrest him.

## II.

Our first task is to establish at what point in this encounter the Fourth Amendment becomes relevant. That is, we must decide whether and when Officer McFadden "seized" Terry and whether and when he conducted a "search." There is some suggestion in the use of such terms as

"stop" and "frisk" that such police conduct is outside the purview of the Fourth Amendment because neither action rises to the level of a "search" or "seizure" within the meaning of the Constitution. 12 We emphatically reject this notion. It is quite plain that the Fourth Amendment governs "seizures" of the person which do not eventuate in a trip to the station house and prosecution for crime - "arrests" in traditional terminology. It must be recognized that whenever a police officer accosts an individual and restrains his freedom to walk away, he has "seized" that person. And it is nothing less than sheer torture of the English language to suggest that a careful exploration of the outer surfaces of a person's clothing all over his or her body in an attempt to find weapons is not a "search." Moreover, it is simply fantastic to urge that such a procedure performed in public by a policeman while the citizen stands helpless, perhaps facing a wall with his hands raised, is a "petty indignity." It is a serious intrusion upon the sanctity of the person, which may inflict great indignity and arouse strong resentment, and it is not to be undertaken lightly.

The danger in the logic which proceeds upon distinctions between a "stop" and an "arrest," or "seizure" of the person, and between a "frisk" and a "search" is two-fold. It seeks to isolate from constitutional scrutiny the initial stages of the contact between the policeman and the citizen. And by suggesting a rigid all-or-nothing model of justification and regulation under the Amendment, it obscures the utility of limitations upon the scope, as well as the initiation, of police action as a means of constitutional regulation. This Court has held in the past that a search which is reasonable at its inception may violate the Fourth Amendment by virtue of its intolerable intensity and scope. *Kremen v. United States*, 353 U.S. 346 (1957); *Go-Bart Importing Co. v. United States*, 282 U.S. 344, 356-358 (1931); see *United States v. Di Re*, 332 U.S. 581, 586-587 (1948). The scope of the search must be "strictly tied to and justified by" the circumstances which rendered its initiation permissible. *Warden v. Hayden*, 387 U.S. 294, 310 (1967) (MR. JUSTICE FORTAS, concurring); see, e. g., *Preston v. United States*, 376 U.S. 364, 367-368 (1964); *Agnello v. United States*, 269 U.S. 20, 30-31 (1925).

The distinctions of classical "stop-and-frisk" theory thus serve to divert attention from the central inquiry under the Fourth Amendment - the reasonableness in all the circumstances of the particular governmental invasion of a citizen's personal security. "Search" and "seizure" are not talismans. We therefore reject the notions that the Fourth Amendment does not come into play at all as a limitation upon police conduct if the officers stop short of something called a "technical arrest" or a "full-blown search."

In this case there can be no question, then, that Officer McFadden "seized" petitioner and subjected him to a "search" when he took hold of him and patted down the outer surfaces of his clothing. We must decide whether at that point it was reasonable for Officer McFadden to have interfered with petitioner's personal security as he did. And in determining whether the seizure and search were "unreasonable" our inquiry is a dual one - whether the officer's action was justified at its inception, and whether it was reasonably related in scope to the circumstances which justified the interference in the first place.

### III.

If this case involved police conduct subject to the Warrant Clause of the Fourth Amendment, we would have to ascertain whether "probable cause" existed to justify the search and seizure which took place. However, that is not the case. We do not retreat from our holdings that the police must, whenever practicable, obtain advance judicial approval of searches and seizures through the warrant procedure, see, e. g., *Katz v. United States*, 389 U.S. 347 (1967); *Beck v. Ohio*, 379 U.S. 89, 96 (1964); *Chapman v. United States*, 365 U.S. 610 (1961), or that in most instances failure to comply with the warrant requirement can only be excused by exigent circumstances, see, e. g., *Warden v. Hayden*, 387 U.S. 294 (1967) (hot pursuit); cf. *Preston v. United States*, 376 U.S. 364, 367-368 (1964). But we deal here with an entire rubric of police conduct - necessarily swift action predicated upon the on-the-spot observations of the officer on the beat - which historically has not been, and as a practical matter could not be, subjected to the warrant procedure. Instead, the conduct involved in this case must be tested by the Fourth Amendment's general proscription against unreasonable searches and seizures. 17



Nonetheless, the notions which underlie both the warrant procedure and the requirement of probable cause remain fully relevant in this context. In order to assess the reasonableness of Officer McFadden's conduct as a general proposition, it is necessary "first to focus upon the governmental interest which allegedly justifies official intrusion upon the constitutionally protected interests of the private citizen," for there is "no ready test for determining reasonableness other than by balancing the need to search [or seize] against the invasion which the search [or seizure] entails." *Camara v. Municipal Court*, 387 U.S. 523, 534 -535, 536-537 (1967). And in justifying the particular intrusion the police officer must be able to point to specific and articulable facts which, taken together with rational inferences from those facts, reasonably warrant that intrusion. The scheme of the Fourth Amendment becomes meaningful only when it is assured that at some point the conduct of those charged with enforcing the laws can be subjected to the more detached, neutral scrutiny of a judge who must evaluate the reasonableness of a particular search or seizure in light of the particular circumstances. And in making that assessment it is imperative that the facts be judged against an objective standard: would the facts available to the officer at the moment of the seizure or the search "warrant a man of reasonable caution in the belief" that the action taken was appropriate? Cf. *Carroll v. United States*, 267 U.S. 132 (1925); *Beck v. Ohio*, 379 U.S. 89, 96 -97 (1964). Anything less would invite intrusions upon constitutionally guaranteed rights based on nothing more substantial than inarticulate hunches, a result this Court has consistently refused to sanction. See, e. g., *Beck v. Ohio*, supra; *Rios v. United States*, 364 U.S. 253 (1960); *Henry v. United States*, 361 U.S. 98 (1959). And simple "`good faith on the part of the arresting officer is not enough.' . . . If subjective good faith alone were the test, the protections of the Fourth Amendment would evaporate, and the people would be `secure in their persons, houses, papers, and effects,' only in the discretion of the police." *Beck v. Ohio*, supra, at 97.

Applying these principles to this case, we consider first the nature and extent of the governmental interests involved. One general interest is of course that of effective crime prevention and detection; it is this interest which underlies the recognition that a police officer may in appropriate circumstances and in an appropriate manner approach a person for purposes of investigating possibly criminal behavior even though there is no probable cause to make an arrest. It was this legitimate investigative function Officer McFadden was discharging when he decided to approach petitioner and his companions. He had observed Terry, Chilton, and Katz go through a series of acts, each of them perhaps innocent in itself, but which taken together warranted further investigation. There is nothing unusual in two men standing together on a street corner, perhaps waiting for someone. Nor is there anything suspicious about people in such circumstances strolling up and down the street, singly or in pairs. Store windows, moreover, are made to be looked in. But the story is quite different where, as here, two men hover about a street corner for an extended period of time, at the end of which it becomes apparent that they are not waiting for anyone or anything; where these men pace alternately along an identical route, pausing to stare in the same store window roughly 24 times; where each completion of this route is followed immediately by a conference between the two men on the corner; where they are joined in one of these conferences by a third man who leaves swiftly; and where the two men finally follow the third and rejoin him a couple of blocks away. It would have been poor police work indeed for an officer of 30 years' experience in the detection of thievery from stores in this same neighborhood to have failed to investigate this behavior further.

The crux of this case, however, is not the propriety of Officer McFadden's taking steps to investigate petitioner's suspicious behavior, but rather, whether there was justification for McFadden's invasion of Terry's personal security by searching him for weapons in the course of that investigation. We are now concerned with more than the governmental interest in investigating crime; in addition, there is the more immediate interest of the police officer in taking steps to assure himself that the person with whom he is dealing is not armed with a weapon that could unexpectedly and fatally be used against him. Certainly it would be unreasonable to require that police officers take unnecessary risks in the performance of their duties. American criminals have a long tradition of armed violence, and every year in this country many law enforcement officers are killed in the line of duty, and thousands more are wounded.

Virtually all of these deaths and a substantial portion of the injuries are inflicted with guns and knives.

In view of these facts, we cannot blind ourselves to the need for law enforcement officers to protect themselves and other prospective victims of violence in situations where they may lack probable cause for an arrest. When an officer is justified in believing that the individual whose suspicious behavior he is investigating at close range is armed and presently dangerous to the officer or to others, it would appear to be clearly unreasonable to deny the officer the power to take necessary measures to determine whether the person is in fact carrying a weapon and to neutralize the threat of physical harm.

We must still consider, however, the nature and quality of the intrusion on individual rights which must be accepted if police officers are to be conceded the right to search for weapons in situations where probable cause to arrest for crime is lacking. Even a limited search of the outer clothing for weapons constitutes a severe, though brief, intrusion upon cherished personal security, and it must surely be an annoying, frightening, and perhaps humiliating experience. Petitioner contends that such an intrusion is permissible only incident to a lawful arrest, either for a crime involving the possession of weapons or for a crime the commission of which led the officer to investigate in the first place. However, this argument must be closely examined.

Petitioner does not argue that a police officer should refrain from making any investigation of suspicious circumstances until such time as he has probable cause to make an arrest; nor does he deny that police officers in properly discharging their investigative function may find themselves confronting persons who might well be armed and dangerous. Moreover, he does not say that an officer is always unjustified in searching a suspect to discover weapons. Rather, he says it is unreasonable for the policeman to take that step until such time as the situation evolves to a point where there is probable cause to make an arrest. When that point has been reached, petitioner would concede the officer's right to conduct a search of the suspect for weapons, fruits or instrumentalities of the crime, or "mere" evidence, incident to the arrest.

There are two weaknesses in this line of reasoning, however. First, it fails to take account of traditional limitations upon the scope of searches, and thus recognizes no distinction in purpose, character, and extent between a search incident to an arrest and a limited search for weapons. The former, although justified in part by the acknowledged necessity to protect the arresting officer from assault with a concealed weapon, *Preston v. United States*, 376 U.S. 364, 367 (1964), is also justified on other grounds, *ibid.*, and can therefore involve a relatively extensive exploration of the person. A search for weapons in the absence of probable cause to arrest, however, must, like any other search, be strictly circumscribed by the exigencies which justify its initiation. *Warden v. Hayden*, 387 U.S. 294, 310 (1967) (MR. JUSTICE FORTAS, concurring). Thus it must be limited to that which is necessary for the discovery of weapons which might be used to harm the officer or others nearby, and may realistically be characterized as something less than a "full" search, even though it remains a serious intrusion.

A second, and related, objection to petitioner's argument is that it assumes that the law of arrest has already worked out the balance between the particular interests involved here - the neutralization of danger to the policeman in the investigative circumstance and the sanctity of the individual. But this is not so. An arrest is a wholly different kind of intrusion upon individual freedom from a limited search for weapons, and the interests each is designed to serve are likewise quite different. An arrest is the initial stage of a criminal prosecution. It is intended to vindicate society's interest in having its laws obeyed, and it is inevitably accompanied by future interference with the individual's freedom of movement, whether or not trial or conviction ultimately follows. The protective search for weapons, on the other hand, constitutes a brief, though far from inconsiderable, intrusion upon the sanctity of the person. It does not follow that because an officer may lawfully arrest a person only when he is apprised of facts sufficient to warrant a belief that the person has committed or is committing a crime, the officer is equally unjustified, absent that kind of evidence, in making any intrusions short of an arrest. Moreover, a perfectly reasonable apprehension of danger may arise long before the officer is possessed of

adequate information to justify taking a person into custody for the purpose of prosecuting him for a crime. Petitioner's reliance on cases which have worked out standards of reasonableness with regard to "seizures" constituting arrests and searches incident thereto is thus misplaced. It assumes that the interests sought to be vindicated and the invasions of personal security may be equated in the two cases, and thereby ignores a vital aspect of the analysis of the reasonableness of particular types of conduct under the Fourth Amendment. See *Camara v. Municipal Court*, *supra*.

Our evaluation of the proper balance that has to be struck in this type of case leads us to conclude that there must be a narrowly drawn authority to permit a reasonable search for weapons for the protection of the police officer, where he has reason to believe that he is dealing with an armed and dangerous individual, regardless of whether he has probable cause to arrest the individual for a crime. The officer need not be absolutely certain that the individual is armed; the issue is whether a reasonably prudent man in the circumstances would be warranted in the belief that his safety or that of others was in danger. Cf. *Beck v. Ohio*, 379 U.S. 89, 91 (1964); *Brinegar v. United States*, 338 U.S. 160, 174 -176 (1949); *Stacey v. Emery*, 97 U.S. 642, 645 (1878). And in determining whether the officer acted reasonably in such circumstances, due weight must be given, not to his inchoate and unparticularized suspicion or "hunch," but to the specific reasonable inferences which he is entitled to draw from the facts in light of his experience. Cf. *Brinegar v. United States supra*.

#### IV.

We must now examine the conduct of Officer McFadden in this case to determine whether his search and seizure of petitioner were reasonable, both at their inception and as conducted. He had observed Terry, together with Chilton and another man, acting in a manner he took to be preface to a "stick-up." We think on the facts and circumstances Officer McFadden detailed before the trial judge a reasonably prudent man would have been warranted in believing petitioner was armed and thus presented a threat to the officer's safety while he was investigating his suspicious behavior. The actions of Terry and Chilton were consistent with McFadden's hypothesis that these men were contemplating a daylight robbery - which, it is reasonable to assume, would be likely to involve the use of weapons - and nothing in their conduct from the time he first noticed them until the time he confronted them and identified himself as a police officer gave him sufficient reason to negate that hypothesis. Although the trio had departed the original scene, there was nothing to indicate abandonment of an intent to commit a robbery at some point. Thus, when Officer McFadden approached the three men gathered before the display window at Zucker's store he had observed enough to make it quite reasonable to fear that they were armed; and nothing in their response to his hailing them, identifying himself as a police officer, and asking their names served to dispel that reasonable belief. We cannot say his decision at that point to seize Terry and pat his clothing for weapons was the product of a volatile or inventive imagination, or was undertaken simply as an act of harassment; the record evidences the tempered act of a policeman who in the course of an investigation had to make a quick decision as to how to protect himself and others from possible danger, and took limited steps to do so. The manner in which the seizure and search were conducted is, of course, as vital a part of the inquiry as whether they were warranted at all. The Fourth Amendment proceeds as much by limitations upon the scope of governmental action as by imposing preconditions upon its initiation. Compare *Katz v. United States*, 389 U.S. 347, 354 -356 (1967). The entire deterrent purpose of the rule excluding evidence seized in violation of the Fourth Amendment rests on the assumption that "limitations upon the fruit to be gathered tend to limit the quest itself." *United States v. Poller*, 43 F.2d 911, 914 (C. A. 2d Cir. 1930); see, e. g., *Linkletter v. Walker*, 381 U.S. 618, 629 -635 (1965); *Mapp v. Ohio*, 367 U.S. 643 (1961); *Elkins v. United States*, 364 U.S. 206, 216 - 221 (1960). Thus, evidence may not be introduced if it was discovered by means of a seizure and search which were not reasonably related in scope to the justification for their initiation. *Warden v. Hayden*, 387 U.S. 294, 310 (1967) (MR. JUSTICE FORTAS, concurring).

We need not develop at length in this case, however, the limitations which the Fourth Amendment places upon a protective seizure and search for weapons. These limitations will have to be developed in the concrete factual circumstances of individual cases. See *Sibron v. New York*,

post, p. 40, decided today. Suffice it to note that such a search, unlike a search without a warrant incident to a lawful arrest, is not justified by any need to prevent the disappearance or destruction of evidence of crime. See *Preston v. United States*, 376 U.S. 364, 367 (1964). The sole justification of the search in the present situation is the protection of the police officer and others nearby, and it must therefore be confined in scope to an intrusion reasonably designed to discover guns, knives, clubs, or other hidden instruments for the assault of the police officer.

The scope of the search in this case presents no serious problem in light of these standards. Officer McFadden patted down the outer clothing of petitioner and his two companions. He did not place his hands in their pockets or under the outer surface of their garments until he had felt weapons, and then he merely reached for and removed the guns. He never did invade Katz' person beyond the outer surfaces of his clothes, since he discovered nothing in his pat-down which might have been a weapon. Officer McFadden confined his search strictly to what was minimally necessary to learn whether the men were armed and to disarm them once he discovered the weapons. He did not conduct a general exploratory search for whatever evidence of criminal activity he might find.

#### V.

We conclude that the revolver seized from Terry was properly admitted in evidence against him. At the time he seized petitioner and searched him for weapons, Officer McFadden had reasonable grounds to believe that petitioner was armed and dangerous, and it was necessary for the protection of himself and others to take swift measures to discover the true facts and neutralize the threat of harm if it materialized. The policeman carefully restricted his search to what was appropriate to the discovery of the particular items which he sought. Each case of this sort will, of course, have to be decided on its own facts. We merely hold today that where a police officer observes unusual conduct which leads him reasonably to conclude in light of his experience that criminal activity may be afoot and that the persons with whom he is dealing may be armed and presently dangerous, where in the course of investigating this behavior he identifies himself as a policeman and makes reasonable inquiries, and where nothing in the initial stages of the encounter serves to dispel his reasonable fear for his own or others' safety, he is entitled for the protection of himself and others in the area to conduct a carefully limited search of the outer clothing of such persons in an attempt to discover weapons which might be used to assault him. Such a search is a reasonable search under the Fourth Amendment, and any weapons seized may properly be introduced in evidence against the person from whom they were taken.

Affirmed.

## GRAHAM V. CONNOR

U.S. Supreme Court  
GRAHAM v. CONNOR (1989)<sup>ix</sup>  
490 U.S. 386  
No. 87-6571  
Argued February 21, 1989  
Decided May 15, 1989

Petitioner Graham, a diabetic, asked his friend, Berry, to drive him to a convenience store to purchase orange juice to counteract the onset of an insulin reaction. Upon entering the store and seeing the number of people ahead of him, Graham hurried out and asked Berry to drive him to a friend's house instead. Respondent Connor, a city police officer, became suspicious after seeing Graham hastily enter and leave the store, followed Berry's car, and made an investigative stop, ordering the pair to wait while he found out what had happened in the store. Respondent backup police officers arrived on the scene, handcuffed Graham, and ignored or rebuffed attempts to explain and treat Graham's condition. During the encounter, Graham sustained multiple injuries. He was released when Connor learned that nothing had happened in the store. Graham filed suit in the District Court under 42 USC 1983 against respondents, alleging that they had used excessive force in making the stop, in violation of "rights secured to him under the Fourteenth Amendment to the United States Constitution and 42 USC 1983." The District Court granted respondents' motion for a directed verdict at the close of Graham's evidence, applying a four-factor test for determining when excessive use of force gives rise to a 1983 cause of action, which inquires, inter alia, whether the force was applied in a good-faith effort to maintain and restore discipline or maliciously and sadistically for the very purpose of causing harm. *Johnson v. Glick*, 481 F.2d 1028. The Court of Appeals affirmed, endorsing this test as generally applicable to all claims of constitutionally excessive force brought against government officials, rejecting Graham's argument that it was error to require him to prove that the allegedly excessive force was applied maliciously and sadistically to cause harm, and holding that a reasonable jury applying the *Johnson v. Glick* test to his evidence could not find that the force applied was constitutionally excessive.

### **Held:**

All claims that law enforcement officials have used excessive force – deadly or not – in the course of an arrest, investigatory stop, or other "seizure" of a free citizen are properly analyzed under the Fourth Amendment's "objective reasonableness" standard, rather than under a substantive due process standard. Pp. 392-399. [490 US 386, 387]

- (a) The notion that all excessive force claims brought under 1983 are governed by a single generic standard is rejected. Instead, courts must identify the specific constitutional right allegedly infringed by the

- challenged application of force and then judge the claim by reference to the specific constitutional standard which governs that right. Pp. 393-394.
- (b) ***Claims that law enforcement officials have used excessive force in the course of an arrest, investigatory stop, or other "seizure" of a free citizen are most properly characterized as invoking the protections of the Fourth Amendment, which guarantees citizens the right "to be secure in their persons...against unreasonable seizures," and must be judged by reference to the Fourth Amendment's "reasonableness" standard.*** Pp. 394-395.
- (c) ***The Fourth Amendment "reasonableness" inquiry is whether the officers' actions are "objectively reasonable" in light of the facts and circumstances confronting them, without regard to their underlying intent or motivation. The "reasonableness" of a particular use of force must be judged from the perspective of a reasonable officer on the scene, and its calculus must embody an allowance for the fact that police officers are often forced to make split-second decisions about the amount of force necessary in a particular situation.*** Pp. 396-397.
- (d) The *Johnson v. Glick* test applied by the courts below is incompatible with a proper Fourth Amendment analysis. The suggestion that the test's "malicious and sadistic" inquiry is merely another way of describing conduct that is objectively unreasonable under the circumstances is rejected. Also rejected is the conclusion that because individual officers' subjective motivations are of central importance in deciding whether force used against a convicted prisoner violates the Eighth Amendment, it cannot be reversible error to inquire into them in deciding whether force used against a suspect or arrestee violates the Fourth Amendment. The Eighth Amendment terms "cruel" and "punishments" clearly suggest some inquiry into subjective state of mind, whereas the Fourth Amendment term "unreasonable" does not. Moreover, the less protective Eighth Amendment standard applies only after the State has complied with the constitutional guarantees traditionally associated with criminal prosecutions. Pp. 397-399.

827 F.2d 945, vacated and remanded.

---

“Determining whether the force used to effect a particular seizure is "reasonable" under the Fourth Amendment requires a careful balancing of "the nature and quality of the intrusion on the individual's Fourth Amendment interests" against the countervailing governmental interests at stake. *Id.*, at 8, quoting *United States v. Place*, 462 U.S. 696, 703 (1983). Our Fourth Amendment jurisprudence has long recognized that the right to make an arrest or investigatory stop necessarily carries with it the right to use some degree of physical coercion or threat thereof to effect it. See *Terry v. Ohio*, 392 U.S., at 22 -27. Because "[t]he test of reasonableness under the Fourth Amendment is not capable of precise definition or mechanical application," ..., however, ***its proper application***

**requires careful attention to the facts and circumstances of each particular case, including the severity of the crime at issue, whether the suspect poses an immediate threat to the safety of the officers or others, and whether he is actively resisting arrest or attempting to evade arrest by flight.** See *Tennessee v. Garner*, 471 U.S., at 8 -9 (the question is "whether the totality of the circumstances justify[es] a particular sort of . . . seizure").

**The "reasonableness" of a particular use of force must be judged from the perspective of a reasonable officer on the scene, rather than with the 20/20 vision of hindsight.** See *Terry v. Ohio*, supra, at 20-22. The Fourth Amendment is not violated by an arrest based on probable cause, even though the wrong person is arrested, *Hill v. California*, 401 U.S. 797 (1971), nor by the mistaken execution of a valid search warrant on the wrong premises, *Maryland v. Garrison*, 480 U.S. 79 (1987). With respect to a claim of excessive force, the same standard of reasonableness at the moment applies: "Not every push or shove, even if it may later seem unnecessary in the peace of a judge's chambers," *Johnson v. Glick*, 481 F.2d, at 1033, violates the Fourth Amendment. **The calculus of reasonableness must embody [490 U.S. 386, 397] allowance for the fact that police officers are often forced to make split-second judgments - in circumstances that are tense, uncertain, and rapidly evolving - about the amount of force that is necessary in a particular situation.**

As in other Fourth Amendment contexts, however, **the "reasonableness" inquiry in an excessive force case is an objective one: the question is whether the officers' actions are "objectively reasonable" in light of the facts and circumstances confronting them, without regard to their underlying intent or motivation.** See *Scott v. United States*, 436 U.S. 128, 137 -139 (1978); see also *Terry v. Ohio*, supra, at 21 (in analyzing the reasonableness of a particular search or seizure, "it is imperative that the facts be judged against an objective standard"). **An officer's evil intentions will not make a Fourth Amendment violation out of an objectively reasonable use of force; nor will an officer's good intentions make an objectively unreasonable use of force constitutional.** See *Scott v. United States*, supra, at 138, citing *United States v. Robinson*, 414 U.S. 218 (1973)."

---

REHNQUIST, C.J., delivered the opinion of the Court, in which WHITE, STEVENS, O'CONNOR, SCALIA, and KENNEDY, JJ., joined. BLACKMUN, J., filed an opinion concurring in part and concurring in the judgment, in which BRENNAN and MARSHALL, JJ., joined, post, p. 490 U. S. 399.

CHIEF JUSTICE REHNQUIST delivered the opinion of the Court.

This case requires us to decide what constitutional standard governs a free citizen's claim that law enforcement officials used excessive force in the course of making an arrest, investigatory stop, or other "seizure" of his person. We hold that such claims are properly analyzed under the Fourth Amendment's "objective reasonableness" standard, rather than under a substantive due process standard.

In this action under 42 U.S.C. § 1983, petitioner Dethorne Graham seeks to recover damages for injuries allegedly sustained when law enforcement officers used physical force against him during the course of an investigatory stop. Because the case comes to us from a decision of the Court of Appeals affirming the entry of a directed verdict for respondents, we take the evidence hereafter noted in the light most favorable to petitioner. On November 12, 1984, Graham, a diabetic, felt the onset of an insulin reaction. He asked a friend, William Berry, to drive him to a nearby convenience store so he could purchase some orange juice to counteract the reaction. Berry agreed, but when Graham entered the store, he saw a number of people ahead of him in the checkout line. Concerned about the delay, he hurried out of the store and asked Berry to drive him to a friend's house instead.

Respondent Connor, an officer of the Charlotte, North Carolina, Police Department, saw Graham hastily enter and leave the store. The officer became suspicious that something was amiss, and followed Berry's car. About one-half mile from the store, he made an investigatory stop. Although Berry told Connor that Graham was simply suffering from a "sugar reaction," the officer ordered Berry and Graham to wait while he found out what, if anything, had happened at the convenience store. When Officer Connor returned to his patrol car to call for backup assistance, Graham got out of the car, ran around it twice, and finally sat down on the curb, where he passed out briefly.

In the ensuing confusion, a number of other Charlotte police officers arrived on the scene in response to Officer Connor's request for backup. One of the officers rolled Graham over on the sidewalk and cuffed his hands tightly behind his back, ignoring Berry's pleas to get him some sugar. Another officer said:

"I've seen a lot of people with sugar diabetes that never acted like this. Ain't nothing wrong with the M.F. but drunk. Lock the S.B. up."

App. 42. Several officers then lifted Graham up from behind, carried him over to Berry's car, and placed him face down on its hood. Regaining consciousness, Graham asked the officers to check in his wallet for a diabetic decal that he carried. In response, one of the officers told him to "shut up" and shoved his face down against the hood of the car. Four officers grabbed Graham and threw him headfirst into the police car. A friend of Graham's brought some orange juice to the car, but the officers refused to let him have it. Finally, Officer Connor received a report that Graham had done nothing wrong at the convenience store, and the officers drove him home and released him.

At some point during his encounter with the police, Graham sustained a broken foot, cuts on his wrists, a bruised forehead, and an injured shoulder; he also claims to have developed a loud ringing in his right ear that continues to this day. He commenced this action under 42 U.S.C. § 1983 against the individual officers involved in the incident, all of whom are respondents here, alleging that they had used excessive force in making the investigatory stop, in violation of "rights secured to him under the Fourteenth Amendment to the United States Constitution and 42 U.S.C. § 1983." Complaint 10, App. 5. The case was tried before a jury. At the close of petitioner's evidence, respondents moved for a directed verdict. In ruling on that motion, the District Court considered the following four factors, which it identified as "[t]he factors to be considered in determining when the excessive use of force gives rise to a cause of action under § 1983": (1) the need for the application of force; (2) the relationship between that need and the amount of force that was used; (3) the extent of the injury inflicted; and (4) "[w]hether the force was applied in a good faith effort to maintain and restore discipline or maliciously and sadistically for the very purpose of causing harm." 644 F.Supp. 246, 248 (WDNC 1986). Finding that the amount of force used by the officers was "appropriate under the circumstances," that "[t]here was no discernible injury inflicted," and that the force used "was not applied maliciously or sadistically for the very purpose of causing harm," but in "a good faith effort to maintain or restore order in the face of a potentially explosive situation," *id.* at 248-249, the District Court granted respondents' motion for a directed verdict.



A divided panel of the Court of Appeals for the Fourth Circuit affirmed. 827 F.2d 945 (1987). The majority ruled first that the District Court had applied the correct legal standard in assessing petitioner's excessive force claim. Id. at 948-949. Without attempting to identify the specific constitutional provision under which that claim arose, the majority endorsed the four-factor test applied by the District Court as generally applicable to all claims of "constitutionally excessive force" brought against governmental officials. Id. at 948. The majority rejected petitioner's argument, based on Circuit precedent, that it was error to require him to prove that the allegedly excessive force used against him was applied "maliciously and sadistically for the very purpose of causing harm." Ibid. Finally, the majority held that a reasonable jury applying the four-part test it had just endorsed to petitioner's evidence "could not find that the force applied was constitutionally excessive." Id. at 949-950. The dissenting judge argued that this Court's decisions in *Terry v. Ohio*, 392 U. S. 1 (1968), and *Tennessee v. Garner*, 471 U. S. 1(1985), required that excessive force claims arising out of investigatory stops be analyzed under the Fourth Amendment's "objective reasonableness" standard. 827 F.2d at 950-952. We granted certiorari, 488 U.S. 816 (1988), and now reverse.

Fifteen years ago, in *Johnson v. Glick*, 481 F.2d 1028 (CA2), cert. denied, 414 U.S. 1033 (1973), the Court of Appeals for the Second Circuit addressed a § 1983 damages claim filed by a pretrial detainee who claimed that a guard had assaulted him without justification. In evaluating the detainee's claim, Judge Friendly applied neither the Fourth Amendment nor the Eighth, the two most textually obvious sources of constitutional protection against physically abusive governmental conduct. Instead, he looked to "substantive due process," holding that,

"quite apart from any 'specific' of the Bill of Rights, application of undue force by law enforcement officers deprives a suspect of liberty without due process of law."

481 F.2d at 1032. As support for this proposition, he relied upon our decision in *Rochin v. California*, 342 U. S. 165 (1952), which used the Due Process Clause to void a state criminal conviction based on evidence obtained by pumping the defendant's stomach. 481 F.2d at 1032-1033. If a police officer's use of force which "shocks the conscience" could justify setting aside a criminal conviction, Judge Friendly reasoned, a correctional officer's use of similarly excessive force must give rise to a due process violation actionable under § 1983. Ibid. Judge Friendly went on to set forth four factors to guide courts in determining "whether the constitutional line has been crossed" by a particular use of force -- the same four factors relied upon by the courts below in this case. Id. at 1033.

In the years following *Johnson v. Glick*, the vast majority of lower federal courts have applied its four-part "substantive due process" test indiscriminately to all excessive force claims lodged against law enforcement and prison officials under § 1983, without considering whether the particular application of force might implicate a more specific constitutional right governed by a different standard. Indeed, many courts have seemed to assume, as did the courts below in this case, that there is a generic "right" to be free from excessive force, grounded not in any particular constitutional provision, but rather in "basic principles of § 1983 jurisprudence."

We reject this notion that all excessive force claims brought under § 1983 are governed by a single generic standard. As we have said many times, § 1983 "is not itself a source of substantive rights," but merely provides "a method for vindicating federal rights elsewhere conferred." *Baker v. McCollan*, 443 U. S. 137, 443 U. S. 144, n. 3 (1979). In addressing an excessive force claim brought under § 1983, analysis begins by identifying the specific constitutional right allegedly infringed by the challenged application of force. See id. At 443 U. S. 140 ("The first inquiry in any § 1983 suit" is "to isolate the precise constitutional violation with which [the defendant] is charged"). In most instances, that will be either the Fourth Amendment's prohibition against unreasonable seizures of the person or the Eighth Amendment's ban on cruel and unusual punishments, which are the two primary sources of constitutional protection against physically abusive governmental conduct. The validity of the claim must then be judged by reference to the specific constitutional standard which governs that right, rather than to some generalized "excessive force" standard. See *Tennessee v. Garner*, supra, at 471 U. S. 7-22 (claim of excessive force to effect

arrest analyzed under a Fourth Amendment standard); *Whitley v. Albers*, 475 U. S. 312, 475 U. S. 318-326 (1986) (claim of excessive force to subdue convicted prisoner analyzed under an Eighth Amendment standard).

Where, as here, the excessive force claim arises in the context of an arrest or investigatory stop of a free citizen, it is most properly characterized as one invoking the protections of the Fourth Amendment, which guarantees citizens the right "to be secure in their persons . . . against unreasonable . . . seizures" of the person. This much is clear from our decision in *Tennessee v. Garner*, supra. In *Garner*, we addressed a claim that the use of deadly force to apprehend a fleeing suspect who did not appear to be armed or otherwise dangerous violated the suspect's constitutional rights, notwithstanding the existence of probable cause to arrest.

Though the complaint alleged violations of both the Fourth Amendment and the Due Process Clause, see 471 U.S. at 471 U. S. 5, we analyzed the constitutionality of the challenged application of force solely by reference to the Fourth Amendment's prohibition against unreasonable seizures of the person, holding that the "reasonableness" of a particular seizure depends not only on when it is made, but also on how it is carried out. *Id.* at 471 U. S. 7-8. Today we make explicit what was implicit in *Garner's* analysis, and hold that all claims that law enforcement officers have used excessive force -- deadly or not -- in the course of an arrest, investigatory stop, or other "seizure" of a free citizen should be analyzed under the Fourth Amendment and its "reasonableness" standard, rather than under a "substantive due process" approach. Because the Fourth Amendment provides an explicit textual source of constitutional protection against this sort of physically intrusive governmental conduct, that Amendment, not the more generalized notion of "substantive due process," must be the guide for analyzing these claims.

Determining whether the force used to effect a particular seizure is "reasonable" under the Fourth Amendment requires a careful balancing of "*the nature and quality of the intrusion on the individual's Fourth Amendment interests*" against the countervailing governmental interests at stake. *Id.* at 471 U. S. 8, quoting *United States v. Place*, 462 U. S. 696, 462 U. S. 703 (1983). Our Fourth Amendment jurisprudence has long recognized that the right to make an arrest or investigatory stop necessarily carries with it the right to use some degree of physical coercion or threat thereof to effect it. See *Terry v. Ohio*, 392 U.S. at 392 U. S. 22-27. Because "[t]he test of reasonableness under the Fourth Amendment is not capable of precise definition or mechanical application," *Bell v. Wolfish*, 441 U. S. 520, 441 U. S. 559 (1979), however, its proper application requires careful attention to the facts and circumstances of each particular case, including the severity of the crime at issue, whether the suspect poses an immediate threat to the safety of the officers or others, and whether he is actively resisting arrest or attempting to evade arrest by flight. See *Tennessee v. Garner*, 471 U.S. at 471 U. S. 8-9 (the question is "whether the totality of the circumstances justify[es] a particular sort of . . . seizure").

The "reasonableness" of a particular use of force must be judged from the perspective of a reasonable officer on the scene, rather than with the 20/20 vision of hindsight. See *Terry v. Ohio*, supra, at 392 U. S. 20-22. The Fourth Amendment is not violated by an arrest based on probable cause, even though the wrong person is arrested, *Hill v. California*, 401 U. S. 797 (1971), nor by the mistaken execution of a valid search warrant on the wrong premises, *Maryland v. Garrison*, 480 U. S. 79 (1987). With respect to a claim of excessive force, the same standard of reasonableness at the moment applies: "Not every push or shove, even if it may later seem unnecessary in the peace of a judge's chambers," *Johnson v. Glick*, 481 F.2d at 1033, violates the Fourth Amendment. The calculus of reasonableness must embody allowance for the fact that police officers are often forced to make split-second judgments -- in circumstances that are tense, uncertain, and rapidly evolving -- about the amount of force that is necessary in a particular situation.

As in other Fourth Amendment contexts, however, the "reasonableness" inquiry in an excessive force case is an objective one: the question is whether the officers' actions are "objectively reasonable" in light of the facts and circumstances confronting them, without regard to their underlying intent or motivation. See *Scott v. United States*, 436 U. S. 128, 436 U. S. 137-139

(1978); see also *Terry v. Ohio*, *supra*, at 392 U. S. 21 (in analyzing the reasonableness of a particular search or seizure, "it is imperative that the facts be judged against an objective standard"). An officer's evil intentions will not make a Fourth Amendment violation out of an objectively reasonable use of force; nor will an officer's good intentions make an objectively unreasonable use of force constitutional. See *Scott v. United States*, *supra*, at 436 U. S. 138, citing *United States v. Robinson*, 414 U. S. 218 (1973).

Because petitioner's excessive force claim is one arising under the Fourth Amendment, the Court of Appeals erred in analyzing it under the four-part *Johnson v. Glick* test. That test, which requires consideration of whether the individual officers acted in "good faith" or "maliciously and sadistically for the very purpose of causing harm," is incompatible with a proper Fourth Amendment analysis. We do not agree with the Court of Appeals' suggestion, see 827 F.2d at 948, that the "malicious and sadistic" inquiry is merely another way of describing conduct that is objectively unreasonable under the circumstances. Whatever the empirical correlations between "malicious and sadistic" behavior and objective unreasonableness may be, the fact remains that the "malicious and sadistic" factor puts in issue the subjective motivations of the individual officers, which our prior cases make clear has no bearing on whether a particular seizure is "unreasonable" under the Fourth Amendment. Nor do we agree with the Court of Appeals' conclusion, see *id.* at 948, n. 3, that, because the subjective motivations of the individual officers are of central importance in deciding whether force used against a convicted prisoner violates the Eighth Amendment, see *Whitley v. Albers*, 475 U.S. at 475 U. S. 320-321, it cannot be reversible error to inquire into them in deciding whether force used against a suspect or arrestee violates the Fourth Amendment. Differing standards under the Fourth and Eighth Amendments are hardly surprising: the terms "cruel" and "punishment" clearly suggest some inquiry into subjective state of mind, whereas the term "unreasonable" does not. Moreover, the less protective Eighth Amendment standard applies "only after the State has complied with the constitutional guarantees traditionally associated with criminal prosecutions." *Ingraham v. Wright*, 430 U. S. 651, 430 U. S. 671, n. 40 (1977). The Fourth Amendment inquiry is one of "objective reasonableness" under the circumstances, and subjective concepts like "malice" and "sadism" have no proper place in that inquiry.

Because the Court of Appeals reviewed the District Court's ruling on the motion for directed verdict under an erroneous view of the governing substantive law, its judgment must be vacated and the case remanded to that court for reconsideration of that issue under the proper Fourth Amendment standard.

*It is so ordered.*

# TENNESSEE V. GARNER

U.S. Supreme Court  
TENNESSEE v. GARNER (1985)<sup>x</sup>  
471 U.S. 1  
No. 83-1035.  
Argued October 30, 1984  
Decided March 27, 1985

A Tennessee statute provides that if, after a police officer has given notice of an intent to arrest a criminal suspect, the suspect flees or forcibly resists, "the officer may use all the necessary means to effect the arrest." Acting under the authority of this statute, a Memphis police officer shot and killed appellee-respondent Garner's son as, after being told to halt, the son fled over a fence at night in the backyard of a house he was suspected of burglarizing. The officer used deadly force despite being "reasonably sure" the suspect was unarmed and thinking that he was 17 or 18 years old and of slight build. The father subsequently brought an action in Federal District Court, seeking damages under 42 USC 1983 for asserted violations of his son's constitutional rights. The District Court held that the statute and the officer's actions were constitutional. The Court of Appeals reversed.

## ***Held:***

The Tennessee statute is unconstitutional insofar as it authorizes the use of deadly force against, as in this case, an apparently unarmed, nondangerous fleeing suspect; **such force may not be used unless necessary to prevent the escape and the officer has probable cause to believe that the suspect poses a significant threat of death or serious physical injury to the officer or others.** Pp. 7-22. [471 US 1, 2]

- (a) Apprehension by the use of deadly force is a seizure subject to the Fourth Amendment's reasonableness requirement. To determine whether such a seizure is reasonable, the extent of the intrusion on the suspect's rights under that Amendment must be balanced against the governmental interests in effective law enforcement. This balancing process demonstrates that, notwithstanding probable cause to seize a suspect, an officer may not always do so by killing him. The use of deadly force to prevent the escape of all felony suspects, whatever the circumstances, is constitutionally unreasonable. Pp. 7-12.
- (b) The Fourth Amendment, for purposes of this case, should not be construed in light of the common-law rule allowing the use of whatever force is necessary to affect the arrest of a fleeing felon. Changes in the legal and technological context mean that that rule is distorted almost beyond recognition when literally applied. Whereas felonies were formerly capital crimes, few are now, or can be, and many crimes classified as misdemeanors, or nonexistent, at common law are now felonies. Also, the common-law rule developed at a time when weapons were rudimentary.

- And, in light of the varied rules adopted in the States indicating a long-term movement away from the common-law rule, particularly in the police departments themselves, that rule is a dubious indicium of the constitutionality of the Tennessee statute. There is no indication that holding a police practice such as that authorized by the statute unreasonable will severely hamper effective law enforcement. Pp. 12-20.
- (c) While burglary is a serious crime, the officer in this case could not reasonably have believed that the suspect - young, slight, and unarmed - posed any threat. Nor does the fact that an unarmed suspect has broken into a dwelling at night automatically mean he is dangerous. Pp. 20-22.

710 F.2d 240, affirmed and remanded.

---

“The use of deadly force to prevent the escape of all felony suspects, whatever the circumstances, is constitutionally unreasonable. It is not better that all felony suspects die than that they escape. **Where the suspect poses no immediate threat to the officer and no threat to others, the harm resulting from failing to apprehend him does not justify the use of deadly force** to do so. It is no doubt unfortunate when a suspect who is in sight escapes, but the fact that the police arrive a little late or are a little slower afoot does not always justify killing the suspect. A police officer may not seize an unarmed, nondangerous suspect by shooting him dead. The Tennessee statute is unconstitutional insofar as it authorizes the use of deadly force against such fleeing suspects.

It is not, however, unconstitutional on its face. **Where the officer has probable cause to believe that the suspect poses a threat of serious physical harm, either to the officer or to others, it is not constitutionally unreasonable to prevent escape by using deadly force. Thus, if the suspect threatens the officer with a weapon or there is probable cause to believe that he has committed a crime involving the infliction or threatened infliction of serious physical harm, deadly force may be used if necessary to prevent escape, and if, where [471 U.S. 1, 12] feasible, some warning has been given.**”

---

JUSTICE WHITE delivered the opinion of the Court.

This case requires us to determine the constitutionality of the use of deadly force to prevent the escape of an apparently unarmed suspected felon. We conclude that such force may not be used unless it is necessary to prevent the escape and the officer has probable cause to believe that the suspect poses a significant threat of death or serious physical injury to the officer or others.

I

At about 10:45 p. m. on October 3, 1974, Memphis Police Officers Elton Hymon and Leslie Wright were dispatched to answer a "proowler inside call." Upon arriving at the scene they saw a woman

standing on her porch and gesturing toward the adjacent house.[1] She told them she had heard glass breaking and that "they" or "someone" was breaking in next door. While Wright radioed the dispatcher to say that they were on the scene, Hymon went behind the house. He heard a door slam and saw someone run across the backyard. The fleeing suspect, who was appellee-respondent's decedent, Edward Garner, stopped at a 6-foot-high chain link fence at the edge of the yard. With the aid of a flashlight, Hymon was able to see Garner's face and hands. He saw no sign of a weapon, and, though not certain, was "reasonably sure" and "figured" that Garner was unarmed. App. 41, 56; Record 219. He thought Garner was 17 or 18 years old and about 5' 5" or 5' 7" tall.[2] While Garner was crouched at the base of the fence, Hymon called out "police, halt" and took a few steps toward him. Garner then began to climb over the fence. Convinced that if Garner made it over the fence he would elude capture,[3] Hymon shot him. The bullet hit Garner in the back of the head. Garner was taken by ambulance to a hospital, where he died on the operating table. Ten dollars and a purse taken from the house were found on his body.[4]

In using deadly force to prevent the escape, Hymon was acting under the authority of a Tennessee statute and pursuant to Police Department policy. The statute provides that "[i]f, after notice of the intention to arrest the defendant, he either flee or forcibly resist, the officer may use all the necessary means to effect the arrest." Tenn. Code Ann. § 40-7-108 (1982).[5] The Department policy was slightly more restrictive than the statute, but still allowed the use of deadly force in cases of burglary. App. 140-144. The incident was reviewed by the Memphis Police Firearm's Review Board and presented to a grand jury. Neither took any action. *Id.*, at 57.

Garner's father then brought this action in the Federal District Court for the Western District of Tennessee, seeking damages under 42 U. S. C. § 1983 for asserted violations of Garner's constitutional rights. The complaint alleged that the shooting violated the Fourth, Fifth, Sixth, Eighth, and Fourteenth Amendments of the United States Constitution. It named as defendants Officer Hymon, the Police Department, its Director, and the Mayor and city of Memphis. After a 3-day bench trial, the District Court entered judgment for all defendants. It dismissed the claims against the Mayor and the Director for lack of evidence. It then concluded that Hymon's actions were authorized by the Tennessee statute, which in turn was constitutional. Hymon had employed the only reasonable and practicable means of preventing Garner's escape. Garner had "recklessly and heedlessly attempted to vault over the fence to escape, thereby assuming the risk of being fired upon." App. to Pet. for Cert. A10.

The Court of Appeals for the Sixth Circuit affirmed with regard to Hymon, finding that he had acted in good-faith reliance on the Tennessee statute and was therefore within the scope of his qualified immunity. 600 F. 2d 52 (1979). It remanded for reconsideration of the possible liability of the city, however, in light of *Monell v. New York City Dept. of Social Services*, 436 U. S. 658 (1978), which had come down after the District Court's decision. The District Court was directed to consider whether a city enjoyed a qualified immunity, whether the use of deadly force and hollow point bullets in these circumstances was constitutional, and whether any unconstitutional municipal conduct flowed from a "policy or custom" as required for liability under *Monell*. 600 F. 2d, at 54-55.

The District Court concluded that *Monell* did not affect its decision. While acknowledging some doubt as to the possible immunity of the city, it found that the statute, and Hymon's actions, were constitutional. Given this conclusion, it declined to consider the "policy or custom" question. App. to Pet. for Cert. A37-A39.

The Court of Appeals reversed and remanded. 710 F. 2d 240 (1983). It reasoned that the killing of a fleeing suspect is a "seizure" under the Fourth Amendment,[6] and is therefore constitutional only if "reasonable." The Tennessee statute failed as applied to this case because it did not adequately limit the use of deadly force by distinguishing between felonies of different magnitudes — "the facts, as found, did not justify the use of deadly force under the Fourth Amendment." *Id.*, at 246. Officers cannot resort to deadly force unless they "have probable cause . . . to believe that the suspect [has committed a felony and] poses a threat to the safety of the officers or a danger to the community if left at large." *Ibid.*[7]

The State of Tennessee, which had intervened to defend the statute, see 28 U. S. C. § 2403(b), appealed to this Court. The city filed a petition for certiorari. We noted probable jurisdiction in the appeal and granted the petition. 465 U. S. 1098 (1984).

## II

Whenever an officer restrains the freedom of a person to walk away, he has seized that person. *United States v. Brignoni-Ponce*, 422 U. S. 873, 878 (1975). While it is not always clear just when minimal police interference becomes a seizure, see *United States v. Mendenhall*, 446 U. S. 544 (1980), there can be no question that apprehension by the use of deadly force is a seizure subject to the reasonableness requirement of the Fourth Amendment.

### A

A police officer may arrest a person if he has probable cause to believe that person committed a crime. E.g., *United States v. Watson*, 423 U. S. 411 (1976). Petitioners and appellant argue that if this requirement is satisfied the Fourth Amendment has nothing to say about how that seizure is made. This submission ignores the many cases in which this Court, by balancing the extent of the intrusion against the need for it, has examined the reasonableness of the manner in which a search or seizure is conducted. To determine the constitutionality of a seizure "[w]e must balance the nature and quality of the intrusion on the individual's Fourth Amendment interests against the importance of the governmental interests alleged to justify the intrusion." *United States v. Place*, 462 U. S. 696, 703 (1983); see *Delaware v. Prouse*, 440 U. S. 648, 654 (1979); *United States v. Martinez-Fuerte*, 428 U. S. 543, 555 (1976). We have described "the balancing of competing interests" as "the key principle of the Fourth Amendment." *Michigan v. Summers*, 452 U. S. 692, 700, n. 12 (1981). See also *Camara v. Municipal Court*, 387 U. S. 523, 536-537 (1967). Because one of the factors is the extent of the intrusion, it is plain that reasonableness depends on not only when a seizure is made, but also how it is carried out. *United States v. Ortiz*, 422 U. S. 891, 895 (1975); *Terry v. Ohio*, 392 U. S. 1, 28-29 (1968).

Applying these principles to particular facts, the Court has held that governmental interests did not support a lengthy detention of luggage, *United States v. Place*, supra, an airport seizure not "carefully tailored to its underlying justification," *Florida v. Royer*, 460 U. S. 491, 500 (1983) (plurality opinion), surgery under general anesthesia to obtain evidence, *Winston v. Lee*, 470 U. S. 753 (1985), or detention for fingerprinting without probable cause, *Davis v. Mississippi*, 394 U. S. 721 (1969); *Hayes v. Florida*, 470 U. S. 811 (1985). On the other hand, under the same approach it has upheld the taking of fingernail scrapings from a suspect, *Cupp v. Murphy*, 412 U. S. 291 (1973), an unannounced entry into a home to prevent the destruction of evidence, *Ker v. California*, 374 U. S. 23 (1963), administrative housing inspections without probable cause to believe that a code violation will be found, *Camara v. Municipal Court*, supra, and a blood test of a drunken-driving suspect, *Schmerber v. California*, 384 U. S. 757 (1966). In each of these cases, the question was whether the totality of the circumstances justified a particular sort of search or seizure.

### B

The same balancing process applied in the cases cited above demonstrates that, notwithstanding probable cause to seize a suspect, an officer may not always do so by killing him. The intrusiveness of a seizure by means of deadly force is unmatched. The suspect's fundamental interest in his own life need not be elaborated upon. The use of deadly force also frustrates the interest of the individual, and of society, in judicial determination of guilt and punishment. Against these interests are ranged governmental interests in effective law enforcement.[8] It is argued that overall violence will be reduced by encouraging the peaceful submission of suspects who know that they may be shot if they flee. Effectiveness in making arrests requires the resort to deadly force, or at least the meaningful threat thereof. "Being able to arrest such individuals is a condition precedent to the state's entire system of law enforcement." Brief for Petitioners 14.

Without in any way disparaging the importance of these goals, we are not convinced that the use of deadly force is a sufficiently productive means of accomplishing them to justify the killing of nonviolent suspects. Cf. *Delaware v. Prouse*, supra, at 659. The use of deadly force is a self-defeating way of apprehending a suspect and so setting the criminal justice mechanism in motion. If successful, it guarantees that that mechanism will not be set in motion. And while the meaningful threat of deadly force might be thought to lead to the arrest of more live suspects by discouraging escape attempts,[9] the presently available evidence does not support this thesis.[10] The fact is that a majority of police departments in this country have forbidden the use of deadly force against nonviolent suspects. See infra, at 18-19. If those charged with the enforcement of the criminal law have abjured the use of deadly force in arresting nondangerous felons, there is a substantial basis for doubting that the use of such force is an essential attribute of the arrest power in all felony cases. See *Schumann v. McGinn*, 307 Minn. 446, 472, 240 N. W. 2d 525, 540 (1976) (Rogosheske, J., dissenting in part). Petitioners and appellant have not persuaded us that shooting nondangerous fleeing suspects is so vital as to outweigh the suspect's interest in his own life.

***The use of deadly force to prevent the escape of all felony suspects, whatever the circumstances, is constitutionally unreasonable. It is not better that all felony suspects die than that they escape. Where the suspect poses no immediate threat to the officer and no threat to others, the harm resulting from failing to apprehend him does not justify the use of deadly force to do so. It is no doubt unfortunate when a suspect who is in sight escapes, but the fact that the police arrive a little late or are a little slower afoot does not always justify killing the suspect. A police officer may not seize an unarmed, nondangerous suspect by shooting him dead.*** The Tennessee statute is unconstitutional insofar as it authorizes the use of deadly force against such fleeing suspects.

It is not, however, unconstitutional on its face. Where the officer has probable cause to believe that the suspect poses a threat of serious physical harm, either to the officer or to others, it is not constitutionally unreasonable to prevent escape by using deadly force. ***Thus, if the suspect threatens the officer with a weapon or there is probable cause to believe that he has committed a crime involving the infliction or threatened infliction of serious physical harm, deadly force may be used if necessary to prevent escape, and if, where feasible, some warning has been given.*** As applied in such circumstances, the Tennessee statute would pass constitutional muster.

III

A

It is insisted that the Fourth Amendment must be construed in light of the common-law rule, which allowed the use of whatever force was necessary to effect the arrest of a fleeing felon, though not a misdemeanor. As stated in Hale's posthumously published *Pleas of the Crown*:

"[I]f persons that are pursued by these officers for felony or the just suspicion thereof . . . shall not yield themselves to these officers, but shall either resist or fly before they are apprehended or being apprehended shall rescue themselves and resist or fly, so that they cannot be otherwise apprehended, and are upon necessity slain therein, because they cannot be otherwise taken, it is no felony." 2 M. Hale, *Historia Placitorum Coronae* 85 (1736). See also 4 W. Blackstone, *Commentaries* \*289. Most American jurisdictions also imposed a flat prohibition against the use of deadly force to stop a fleeing misdemeanor, coupled with a general privilege to use such force to stop a fleeing felon. E. g., *Holloway v. Moser*, 193 N. C. 185, 136 S. E. 375 (1927); *State v. Smith*, 127 Iowa 534, 535, 103 N. W. 944, 945 (1905); *Reneau v. State*, 70 Tenn. 720 (1879); *Brooks v. Commonwealth*, 61 Pa. 352 (1869); *Roberts v. State*, 14 Mo. 138 (1851); see generally R. Perkins & R. Boyce, *Criminal Law* 1098-1102 (3d ed. 1982); Day, *Shooting the Fleeing Felon*: *State of the Law*, 14 *Crim. L. Bull.* 285, 286-287 (1978); Wilgus, *Arrest Without a Warrant*, 22



Mich. L. Rev. 798, 807-816 (1924). But see *Storey v. State*, 71 Ala. 329 (1882); *State v. Bryant*, 65 N. C. 327, 328 (1871); *Caldwell v. State*, 41 Tex. 86 (1874).

The State and city argue that because this was the prevailing rule at the time of the adoption of the Fourth Amendment and for some time thereafter, and is still in force in some States, use of deadly force against a fleeing felon must be "reasonable." It is true that this Court has often looked to the common law in evaluating the reasonableness, for Fourth Amendment purposes, of police activity. See, e.g., *United States v. Watson*, 423 U. S. 411, 418-419 (1976); *Gerstein v. Pugh*, 420 U. S. 103, 111, 114 (1975); *Carroll v. United States*, 267 U. S. 132, 149-153 (1925). On the other hand, it "has not simply frozen into constitutional law those law enforcement practices that existed at the time of the Fourth Amendment's passage." *Payton v. New York*, 445 U. S. 573, 591, n. 33 (1980). Because of sweeping change in the legal and technological context, reliance on the common-law rule in this case would be a mistaken literalism that ignores the purposes of a historical inquiry.

## B

It has been pointed out many times that the common-law rule is best understood in light of the fact that it arose at a time when virtually all felonies were punishable by death.<sup>[11]</sup> "Though effected without the protections and formalities of an orderly trial and conviction, the killing of a resisting or fleeing felon resulted in no greater consequences than those authorized for punishment of the felony of which the individual was charged or suspected." American Law Institute, Model Penal Code § 3.07, Comment 3, p. 56 (Tentative Draft No. 8, 1958) (hereinafter Model Penal Code Comment). Courts have also justified the common-law rule by emphasizing the relative dangerousness of felons. See, e. g., *Schumann v. McGinn*, 307 Minn., at 458, 240 N. W. 2d, at 533; *Holloway v. Moser*, supra, at 187, 136 S. E., at 376 (1927).

Neither of these justifications makes sense today. Almost all crimes formerly punishable by death no longer are or can be. See, e. g., *Enmund v. Florida*, 458 U. S. 782 (1982); *Coker v. Georgia*, 433 U. S. 584 (1977). And while in earlier times "the gulf between the felonies and the minor offences was broad and deep," 2 Pollock & Maitland 467, n. 3; *Carroll v. United States*, supra, at 158, today the distinction is minor and often arbitrary. Many crimes classified as misdemeanors, or nonexistent, at common law are now felonies. Wilgus, 22 Mich. L. Rev., at 572-573. These changes have undermined the concept, which was questionable to begin with, that use of deadly force against a fleeing felon is merely a speedier execution of someone who has already forfeited his life. They have also made the assumption that a "felon" is more dangerous than a misdemeanor untenable. Indeed, numerous misdemeanors involve conduct more dangerous than many felonies.<sup>[12]</sup>

There is an additional reason why the common-law rule cannot be directly translated to the present day. The common-law rule developed at a time when weapons were rudimentary. Deadly force could be inflicted almost solely in a hand-to-hand struggle during which, necessarily, the safety of the arresting officer was at risk. Handguns were not carried by police officers until the latter half of the last century. L. Kennett & J. Anderson, *The Gun in America* 150-151 (1975). Only then did it become possible to use deadly force from a distance as a means of apprehension. As a practical matter, the use of deadly force under the standard articulation of the common-law rule has an altogether different meaning — and harsher consequences — now than in past centuries. See Wechsler & Michael, *A Rationale for the Law of Homicide: I*, 37 Colum. L. Rev. 701, 741 (1937).<sup>[13]</sup>

One other aspect of the common-law rule bears emphasis. It forbids the use of deadly force to apprehend a misdemeanor, condemning such action as disproportionately severe. See *Holloway v. Moser*, 193 N. C., at 187, 136 S. E., at 376; *State v. Smith*, 127 Iowa, at 535, 103 N. W., at 945. See generally Annot., 83 A. L. R. 3d 238 (1978).

In short, though the common-law pedigree of Tennessee's rule is pure on its face, changes in the legal and technological context mean the rule is distorted almost beyond recognition when literally applied.

## C

In evaluating the reasonableness of police procedures under the Fourth Amendment, we have also looked to prevailing rules in individual jurisdictions. See, e. g., *United States v. Watson*, 423 U. S., at 421-422. The rules in the States are varied. See generally Comment, 18 Ga. L. Rev. 137, 140-144 (1983). Some 19 States have codified the common-law rule,<sup>[14]</sup> though in two of these the courts have significantly limited the statute.<sup>[15]</sup> Four States, though without a relevant statute, apparently retain the common-law rule.<sup>[16]</sup> Two States have adopted the Model Penal Code's provision verbatim.<sup>[17]</sup> Eighteen others allow, in slightly varying language, the use of deadly force only if the suspect has committed a felony involving the use or threat of physical or deadly force, or is escaping with a deadly weapon, or is likely to endanger life or inflict serious physical injury if not arrested.<sup>[18]</sup> Louisiana and Vermont, though without statutes or case law on point, do forbid the use of deadly force to prevent any but violent felonies.<sup>[19]</sup> The remaining States either have no relevant statute or case law, or have positions that are unclear.<sup>[20]</sup>

It cannot be said that there is a constant or overwhelming trend away from the common-law rule. In recent years, some States have reviewed their laws and expressly rejected abandonment of the common-law rule.<sup>[21]</sup> Nonetheless, the long-term movement has been away from the rule that deadly force may be used against any fleeing felon, and that remains the rule in less than half the States.

This trend is more evident and impressive when viewed in light of the policies adopted by the police departments themselves. Overwhelmingly, these are more restrictive than the common-law rule. C. Milton, J. Halleck, J. Lardner, & G. Abrecht, *Police Use of Deadly Force* 45-46 (1977). The Federal Bureau of Investigation and the New York City Police Department, for example, both forbid the use of firearms except when necessary to prevent death or grievous bodily harm. *Id.*, at 40-41; App. 83. For accreditation by the Commission on Accreditation for Law Enforcement Agencies, a department must restrict the use of deadly force to situations where "the officer reasonably believes that the action is in defense of human life . . . or in defense of any person in immediate danger of serious physical injury." Commission on Accreditation for Law Enforcement Agencies, Inc., *Standards for Law Enforcement Agencies* 1-2 (1983) (italics deleted). A 1974 study reported that the police department regulations in a majority of the large cities of the United States allowed the firing of a weapon only when a felon presented a threat of death or serious bodily harm. Boston Police Department, Planning & Research Division, *The Use of Deadly Force by Boston Police Personnel* (1974), cited in *Mattis v. Schnarr*, 547 F. 2d 1007, 1016, n. 19 (CA8 1976), vacated as moot sub nom. *Ashcroft v. Mattis*, 431 U. S. 171 (1977). Overall, only 7.5% of departmental and municipal policies explicitly permit the use of deadly force against any felon; 86.8% explicitly do not. K. Matulia, *A Balance of Forces: A Report of the International Association of Chiefs of Police* 161 (1982) (table). See also Record 1108-1368 (written policies of 44 departments). See generally W. Geller & K. Karales, *Split-Second Decisions* 33-42 (1981); Brief for Police Foundation et al. as Amici Curiae. In light of the rules adopted by those who must actually administer them, the older and fading common-law view is a dubious indicium of the constitutionality of the Tennessee statute now before us.

## D

Actual departmental policies are important for an additional reason. We would hesitate to declare a police practice of long standing "unreasonable" if doing so would severely hamper effective law enforcement. But the indications are to the contrary. There has been no suggestion that crime has worsened in any way in jurisdictions that have adopted, by legislation or departmental policy, rules similar to that announced today. Amici note that "[a]fter extensive research and consideration, [they] have concluded that laws permitting police officers to use deadly force to apprehend unarmed, non-violent fleeing felony suspects actually do not protect citizens or law

enforcement officers, do not deter crime or alleviate problems caused by crime, and do not improve the crime-fighting ability of law enforcement agencies." *Id.*, at 11. The submission is that the obvious state interests in apprehension are not sufficiently served to warrant the use of lethal weapons against all fleeing felons. See *supra*, at 10-11, and n. 10.

Nor do we agree with petitioners and appellant that the rule we have adopted requires the police to make impossible, split-second evaluations of unknowable facts. See Brief for Petitioners 25; Brief for Appellant 11. We do not deny the practical difficulties of attempting to assess the suspect's dangerousness. However, similarly difficult judgments must be made by the police in equally uncertain circumstances. See, e. g., *Terry v. Ohio*, 392 U. S., at 20, 27. Nor is there any indication that in States that allow the use of deadly force only against dangerous suspects, see nn. 15, 17-19, *supra*, the standard has been difficult to apply or has led to a rash of litigation involving inappropriate second-guessing of police officers' split-second decisions. Moreover, the highly technical felony/misdemeanor distinction is equally, if not more, difficult to apply in the field. An officer is in no position to know, for example, the precise value of property stolen, or whether the crime was a first or second offense. Finally, as noted above, this claim must be viewed with suspicion in light of the similar self-imposed limitations of so many police departments.

#### IV

The District Court concluded that Hymon was justified in shooting Garner because state law allows, and the Federal Constitution does not forbid, the use of deadly force to prevent the escape of a fleeing felony suspect if no alternative means of apprehension is available. See App. to Pet. for Cert. A9-A11, A38. This conclusion made a determination of Garner's apparent dangerousness unnecessary. The court did find, however, that Garner appeared to be unarmed, though Hymon could not be certain that was the case. *Id.*, at A4, A23. See also App. 41, 56; Record 219. Restated in Fourth Amendment terms, this means Hymon had no articulable basis to think Garner was armed.

In reversing, the Court of Appeals accepted the District Court's factual conclusions and held that "the facts, as found, did not justify the use of deadly force." 710 F. 2d, at 246. We agree. Officer Hymon could not reasonably have believed that Garner — young, slight, and unarmed — posed any threat. Indeed, Hymon never attempted to justify his actions on any basis other than the need to prevent an escape. The District Court stated in passing that "[t]he facts of this case did not indicate to Officer Hymon that Garner was 'nondangerous.'" App. to Pet. for Cert. A34. This conclusion is not explained, and seems to be based solely on the fact that Garner had broken into a house at night. However, the fact that Garner was a suspected burglar could not, without regard to the other circumstances, automatically justify the use of deadly force. Hymon did not have probable cause to believe that Garner, whom he correctly believed to be unarmed, posed any physical danger to himself or others.

The dissent argues that the shooting was justified by the fact that Officer Hymon had probable cause to believe that Garner had committed a nighttime burglary. *Post*, at 29, 32. While we agree that burglary is a serious crime, we cannot agree that it is so dangerous as automatically to justify the use of deadly force. The FBI classifies burglary as a "property" rather than a "violent" crime. See Federal Bureau of Investigation, Uniform Crime Reports, Crime in the United States 1 (1984).[22] Although the armed burglar would present a different situation, the fact that an unarmed suspect has broken into a dwelling at night does not automatically mean he is physically dangerous. This case demonstrates as much. See also *Solem v. Helm*, 463 U. S. 277, 296-297, and nn. 22-23 (1983). In fact, the available statistics demonstrate that burglaries only rarely involve physical violence. During the 10-year period from 1973-1982, only 3.8% of all burglaries involved violent crime. Bureau of Justice Statistics, Household Burglary 4 (1985).[23] See also T. Reppetto, Residential Crime 17, 105 (1974); Conklin & Bittner, Burglary in a Suburb, 11 *Criminology* 208, 214 (1973).

#### V

We wish to make clear what our holding means in the context of this case. The complaint has been dismissed as to all the individual defendants. The State is a party only by virtue of 28 U. S. C. § 2403(b) and is not subject to liability. The possible liability of the remaining defendants — the Police Department and the city of Memphis — hinges on *Monell v. New York City Dept. of Social Services*, 436 U. S. 658 (1978), and is left for remand. We hold that the statute is invalid insofar as it purported to give Hymon the authority to act as he did. As for the policy of the Police Department, the absence of any discussion of this issue by the courts below, and the uncertain state of the record, preclude any consideration of its validity.

The judgment of the Court of Appeals is affirmed, and the case is remanded for further proceedings consistent with this opinion.

So ordered.

# APPENDIX E: USE OF FORCE REPORT GUIDE

Use of force reports should follow the following format:

1. **Describe.** *Describe the physical and environmental factors that you observed. Use plain English or layman's terms.*
2. **Identify.** *Explain what your trained observations told you. Use DAAT terminology, i.e. early warning signs, pre-attack postures etc.*
3. **Forced Actions.** *Explain what your trained observations forced you to do. What trained technique or dynamic application you used.*

---

## SUMMATION OF WHAT HAPPENED IN CHRONOLOGICAL ORDER

---

### I. Background Information

- A Day/date/time
- B Location/address/specific area
- C Officer(s) involved
- D Subject(s) involved
- E Witness(es)

### II. Approach Considerations

- A Decision making—why did you initiate contact? (i.e. justification and desirability)
  1. Dispatched / duty assignment / uniformed
  2. Reasonable Suspicion
  3. Probable Cause
  4. Other reasons
- B Tactical Deployment -- how did you approach?
  1. Control of distance
  2. Relative Positioning
  3. Relative Positioning with Multiple Subjects
  4. Team Tactics
- C Tactical evaluation— what were your perceptions?
  1. Threat Assessment Opportunities
    - a Types of Resistance - Describe what the subject did
      - *Passive Resistance* - Non-compliant and non-threatening behavior.  
*"Smith continued to conspicuously ignore my commands to stand up. He had a blank stare on his face and wasn't moving as I was speaking to*

## Appendix E: Use of Force Report Guide

*him. It was obvious that I was making no progress with him verbally. Based on his non-compliant behavior I was forced to physically move Smith from the seated position to my squad car. I blanketed his left arm and assisted him to a standing position. As I did this he did not assist me, and I was forced to manage his weight..."*

- **Active Resistance** - Behavior which physically counteracts an officer's control efforts and which creates a risk of bodily harm to the officer, subject, and/or other person.

*"Immediately upon making contact with Smith's arm he quickly pulled it closer to his body, trying to break my grasp. While doing this he also turned his body away from me which made this motion even stronger. I recognized this behavior as being active resistance as he was counteracting my effort to control him. I was unable to control him and he forced me to..."*

- **Continued Resistance** - Maintaining a level of counteractive behavior that is not controlled by an officer's current efforts.

*"After making contact with the ground I attempted to stabilize Smith with my body weight. Smith began to push off the ground and I was unable to keep him on the ground. As he pushed off I could feel that I was losing my position of advantage. I recognized this behavior as continued resistance as he was maintaining this counteractive behavior..."*

- b **Early Warning Signs** - Signals or certain behaviors provided by the subject that are often associated with a high level of danger to officers.

Early Warning Signs	
Term	Example Narrative
Conspicuously Ignoring	"Smith continued to walk away from me as I ordered him to stop. I was in full police uniform and stepping out of a marked police squad with emergency lights operating. It was obvious that he heard me but he kept on walking away from me. I recognized this behavior as being an early warning sign called conspicuously ignoring. Early warning signs are subject behaviors that are often associated with a higher level of danger to officers."
Excessive Emotional Attention	"As Smith turned around she shouted at me, "Leave me the fuck alone!" She looked very angry; she bared her teeth and glared at me. I recognized this behavior as being an early warning sign called excessive emotional attention. Early warning signs are subject behaviors that are often associated with a higher level of danger to officers."
Exaggerated Movement	"Smith threw both of his arms out to the side as he approached me. He pushed his chest forward and kept his arms out while he continued to glare at me. I recognized this behavior as being an early warning sign called an exaggerated movement. Early warning signs are subject behaviors that are often associated with a higher level of danger to officers."
Ceasing All Movement	"During my entire contact with Smith he was pacing back and forth. He was obviously agitated as we waited for his information to come back on the radio. Suddenly he stopped moving as my radio began to receive a transmission from dispatch. I recognized his behavior of ceasing all movement as being an early warning sign. Early warning signs are subject behaviors that are often associated with a higher level of danger to officers."
Known Violent Background	"After advising dispatch of Smith's information for a warrant check Officer Jones provided information to me. Jones advised me to proceed with caution while dealing with Smith as he had fought with officers in the past. Based on my training and experience Smith's known violent background was an early warning sign. Early warning signs are subject behaviors that are often associated with a higher level of danger to officers."

Appendix E: Use of Force Report Guide

- c Pre-attack Postures – Behavior which may indicate imminent danger of physical assault?

<b>Pre-Attack Postures</b>	
Term	Example Narrative
Boxer Stance	“Smith took a step back and brought both of his hands up to the area of his face. His hands were clenched in fists and he glared at me. I recognized this behavior as a pre-attack posture called a boxer stance. Pre-attack postures may indicate imminent threat of physical assault.”
Hand Set	“Smith pushed his chest out towards me as he clenched his fists while they were at his sides. While doing this I saw his nostrils flare as if he was breathing heavy. I recognized this behavior as a pre-attack posture called a hand set. Pre-attack postures may indicate imminent threat of physical assault.”  - or - “Smith stepped back with his right foot while bringing his hands up in front of his chest. His hands were open and he bent forward at the waist while bending his knees. He looked like a wrestler preparing to grab his opponent. I recognized this as a pre-attack posture called a hand set. Pre-attack postures may indicate imminent threat of physical assault.”
Shoulder Shift	“Smith stepped back with his right foot while pulling his right shoulder back. He appeared to be setting up for a punch. I recognized this behavior as being a pre-attack posture called a shoulder shift. Pre-attack postures may indicate imminent threat of physical assault.”
Target Glance	“Smith’s focused changed from my face to my duty belt. He looked down as I was telling him he was under arrest. I saw he was focusing his attention on my handgun and his jaw clenched as I could tell he was also grinding his teeth. I recognized this behavior as being a pre-attack posture called a target glance. Pre-attack postures may indicate imminent threat of physical assault.”
Thousand Yard Stare	“Smith was staring right through me and it appeared as if I didn’t even exist to him. He looked to be very angry as his face was contorted into a scowl. I recognized this behavior as being a pre-attack posture called a thousand yard stare. Pre-attack postures may indicate imminent threat of physical assault.”

- d Assaultive Behavior - Direct actions or conducts that generate bodily harm.  
*“Smith suddenly turned and faced me. Upon completing this turn he brought both of his hands up and shoved me backward into the wall that was approximately 2 feet away. I felt the wind get knocked out of me, and felt a great deal of pain in the area of my back when I impacted the wall. Smith’s sudden assault forced me to ..... in order to defend myself.”*
- e Subject apparently "Emotionally Disturbed", i.e. mentally ill, under of influence of a drugs and/or alcohol, is obviously in crisis and out of control, or exhibiting signs of medically significant behavior?  
Explain.
- f Weapon Threat Assessment -- what weapons have you brought to the scene? What weapons has the subject brought to the scene? What other weapons are available? Explain

2. What were the Officer(s) / Subject(s) Factors?

- a Number of Participants
- b Individual Factors:                      Subject’s                      Officer’s

## Appendix E: Use of Force Report Guide

Officer/Subject Factors	
Factor	Example Narrative
Age	"Smith was approximately 18-23 years of age and was obviously 10-15 years younger than me. Based on this age difference I was forced to access my baton and expand it into a loaded position as the situation became more volatile..."
Size	"Smith was approximately 6'5" and had a very athletic build. I would estimate his weight to be between 250-265 pounds. I am only 5'10" and 175 pounds. The drastic size difference between us forced me to access my baton and expand it. Upon doing so I brought my baton into a loaded position and administered 3-5 baton strikes..."
Relative Strength	"Smith was approximately 6'0" and had a very athletic build. I am a female officer who is only 5'7" and 125 pounds. The obvious difference in our strength level forced me to access my baton and expand it. Upon doing so I brought my baton into a loaded position and administered 3-5 baton strikes..."
Skill Level	"I immediately recognized that Smith was the owner of a local martial arts studio. I relayed this information to Officer Johnson and we both observed that Smith was temporarily distracted by the noise behind him. Based on Smith's skill level we used this distraction as a window of opportunity to control Smith. We directed him into the wall behind him while shouting "down!" After his contact with the wall we were able to direct him to the ground..."

### 3. Special Circumstances - Factors or situations that may justify rapid escalation of force or selection of higher force options?

Special Circumstances	
Term	Example Narrative
Reasonable Perception of Threat	"Smith opened his jacket and I observed an object sticking out of his waistband. It appeared to be a dark colored handle with the rest of the object concealed. Based on my training, experience, and the limited information that I had, I believed that Smith was armed with a knife."
Sudden Assault	"Upon entering the room I was immediately knocked to the ground by Smith. He had slammed his shoulder into my right arm and knocked me to the ground. I was not prepared for this sudden assault and knew that I had to use a high level of force to protect myself from further assault. I was trained that situations like this are referred to as special circumstances and justify a rapid escalation in force."
Your Physical Positioning	"Smith had knocked me to the ground and was positioned over me as I was on my back. It was clear that he had the position of advantage. Based on my training I was aware that this situation was a special circumstance that justified a rapid escalation in force."
Subject's Ability to Escalate Force Rapidly	"While attempting to control Smith he grabbed my holstered handgun with one of his hands. Based on my training and experience I knew that he had the ability to escalate force rapidly with access to my firearm. A special circumstance like this justified a rapid escalation in force, as it was out of control."
Your Special Knowledge about the Subject	"I recognized Smith from prior violent contacts in the past. I was aware that he had fought with officers in the past. I was also familiar with his training in the martial arts as he is one of the owners of Main Street Karate Studio on West Main Street. I immediately displayed a higher level of force by expanding my baton while instructing Officer Jones and Johnson to do the same."
Your Injury or Exhaustion	"Upon making contact with the ground I felt a great deal of pain in my right leg. I heard a tearing sound and knew immediately that I had sustained a seriously injury to my knee. Smith was still under my body, but trying to push me off of him by directing his weight towards me. Based on my training I knew that my injury was a special circumstance that drastically decreased my efficiency and thus justified a rapid escalation in force."
The Availability of Back-up	"Upon making contact with the ground I felt Smith under my body, but quickly trying to push me off of him by directing his weight towards me. I had not been able to call out my location nor call for back-up. Based on my training I knew that this situation was a



## Appendix E: Use of Force Report Guide

	special circumstance and I had no available back-up. This situation justified a rapid escalation in force in order to take control of Smith.”
Equipment or Training	“I drew my ECD and pointed it at Smith while turning the safety off. The ECD did not light up and it was obviously not working. Based on the special circumstance that my ECD was not working I was forced to use a higher level of force to control Smith.”
Other Special Circumstances	“I was forced to decentralize Smith on the small median area that divides traffic for right turns onto Main Street. Immediately upon making contact with the ground he displayed active resistance by pushing off of the ground to keep me from stabilizing him. We were surrounded by fast moving vehicles and on all sides and if I was directed off of Smith I would be thrown into traffic. Based on this special circumstance I was force to rapidly escalate force in order to protect myself and gain control.”

4. Describe the Level/Stage/Degree of Stabilization achieved at each point of the disturbance:
  - a Presence Stabilization -- describe type and degree that the officer's or officers' physical presence stabilized the scene
  - b Verbal Stabilization -- describe type and degree that the officer's verbal commands stabilized the scene
  - c Standing Stabilization -- describe type, degree of stabilization, and if restraints were on yet
  - d Wall Stabilization -- describe type, degree of stabilization, and if restraints were on yet
  - e Ground Stabilization -- describe type, degree of stabilization, and if restraints were on yet
  - f Special Restraints -- describe type, degree, and degree of immobilization

### III. Intervention Options - Purpose

- A Presence – *To present a visible display of authority*
- B Dialog – *To verbally persuade*
- C Control Alternatives – *To overcome passive resistance, active resistance or their threats*

Control Alternatives	
Tactic/Tool	Example Narrative
Escort Holds	“Based on his behavior I was forced to physically control Smith. I blanketed his right arm and said, “Please cooperate.” Upon contact with Smith his arm stiffened. I moved into an escort hold to overcome this resistive tension and said, “Stop resisting!”
Compliance Holds	“As I had Smith in an escort hold he displayed active resistance in the form of trying to pull his arm out of my grasp. This behavior forced me to place his right wrist in a compliance hold to overcome his resistance. As I did this I yelled, “Stop resisting!” - or - “Smith was on the ground with Officer Jones on one side and Officer Johnson on the other. Smith was flailing his body all over as the officers tried to control him. Based on his continued resistance I assisted in controlling Smith. I moved to his head and blanketed it while shouting, “Stop resisting!” Smith continued to resist as he moved his head back and forth to try and break my grasp. Based on his continued resistance I applied the mandibular angle pressure point to Smith. I applied it for 3-5 seconds while shouting, “Bring your hands behind your back!” After doing this twice Smith complied and his hands were controlled and handcuffed.”

## Appendix E: Use of Force Report Guide

Control Device ECD Contact Deployment	<i>"Based on Smith's behavior I was forced to use my ECD to control him. I applied a contact deployment to the area of Smith's left leg, just below the back of his knee. While doing this I shouted "Stop resisting!"</i>
Control Device ECD Distance Deployment	<i>"Based on Smith's behavior I was forced to use my ECD to control him. I pointed my ECD at him and deployed it from a distance. The probes appeared to make contact in the area of Smith's right shoulder blade and the right side of his buttocks. I observed that the deployment was successful as his back stiffened up and he lowered himself to the ground. While doing this I shouted, "Get down!"</i>
Control Device O.C.	<i>"Based on Smith's behavior I was forced to use my OC to control him. I pointed my OC at him and sprayed into the area of his face. While doing this I shouted, "Get down!" I observed the OC make contact, and Smith immediately covered his eyes with his hands bent at the waist.</i>
Passive Countermeasures	<i>"I had secured a hold of Smith's right arm in the area of his bicep. However, because of his active resistance I was unable to control him in a standing position. He was pulling his arm away from my grasp and taking me off balance. Based on this resistive behavior I was forced to decentralize Smith. I pulled his arm close to my body and lowered my center along an arc. While doing this I controlled Smith's rate of descent, and his other hand was free to protect his head as he was decentralized."</i>

### D Protective Alternatives - *To overcome continued resistance, assaultive behavior or their threats*

Protective Alternatives	
Tactic/Tool	Example Narrative
Active Countermeasures	<i>"Based on Smith's behavior I was forced to use active countermeasures to create dysfunction and overcome his continued resistance. I was on his left side and unable to prevent him from pushing off of the ground. He was moving from a prone position into a standing position. I directed 3-5 knee strikes into the lower portion of his abdomen, on his left side. While doing these strikes I shouted, "Hands behind your back!" multiple times. After administering the strikes his resistance decreased and I was able to secure him on the ground."</i>
Incapacitating Techniques	<i>"I was positioned on my knees with Smith's hands on the backs of my knees. My hands were on his upper back and I was unable to stop his assault, as he continued to try and pull me onto the ground. I was forced to use a diffused strike to cause an immediate cessation of Smith's violent behavior. I used my left arm to direct his head slightly to the side and stabilize it for the strike. I then directed 2-4 strikes into the brachial plexus area of Smith's left side. I used my right forearm as the striking surface and shouted, "Stop!" each time. Smith immediately, and uncontrollably, fell to the ground from his knees."</i>
Intermediate Weapons	<i>"I had my baton in a loaded position and again shouted, "Get down!" Smith continued to glare at me with his hands in fists by his face. Based on the imminent threat of physical assault I was forced to administer 3-5 baton strikes to his knee area. While doing this I shouted, "Get down!" At the completion of the strikes Smith fell to the ground."</i>

### E Deadly Force – *To stop the threat*

An officer's deadly force incident may not be memorialized in a written report, as some officers, agencies, and/or district attorneys prefer the involved officer to be interviewed. However the below documentation concepts can be used for either option.

## Appendix E: Use of Force Report Guide

<b>Deadly Force</b>	
Tactic/Tool	Example Narrative
Deadly Force: Example A	<p><b>Describe</b> “She was working the action of a silver handgun. The noises of Smith cycling the action of the handgun increased my perception of threat because I saw her making the weapon fire ready. She had fired the weapon multiple times before at officers, and I felt that she was preparing to shoot again. I feared for my life and felt deadly force was imminent. I also thought that she would shoot me or at Officers Jones and Johnson because our positions had been revealed to her. I have been a police officer for over seven years and a member of the PD’s Tactical Unit for over three years. I’ve experienced numerous situations with the threat of deadly force and this is the most that I feared for the lives of myself and fellow officers. Suddenly Smith raised the silver handgun while looking at me. She had a clear line of sight unobstructed by cover. It was obvious that she was going to shoot me as the gun was being brought to eye level and a shooting position.</p> <p><b>Identify</b> Based on my training, experience and totality of the circumstances I believed that Smith was displaying behavior which was imminently threatening death to me. Smith displayed all three components of imminence within the DAAT system. She had the weapon (gun), the intent (pointing the gun at me), and the delivery system (a line of sight unbroken by cover).</p> <p><b>Forced Actions</b> I could see her clearly, and saw she was posing imminent danger of death. There were no other persons in my line of fire. At this point I was forced to fire my weapon to stop the threat that Smith posed. My point of aim was the region of her upper chest. After I shot I saw her fall down and I immediately reassessed the threat. I then determined that she was no longer an imminent threat and I ceased firing.”</p>
Deadly Force: Example B	<p><b>Describe</b> “After coming to a complete stop, I exited my squad and immediately heard gunfire. I looked in the direction of the suspect vehicle and saw a man exiting the driver’s door and pointing a handgun in the direction of a marked squad, which was parked on the shoulder of the road approximately 75 feet away. I could hear several gunshots going off and I believed Officer Jones was the officer closest to the suspect. I ran around to the front of my squad to seek cover and still observed the suspect firing shots in the direction of Officer Jones. The suspect then ran to the rear of his vehicle and hunched down behind the trunk and periodically would pop up and down and fire his gun in the direction of Officer Jones.</p> <p><b>Identify</b> The suspect’s action of firing a gun at Officer Jones posed an immediate threat of death or great bodily harm to Officer Jones.</p> <p><b>Forced Actions</b> The suspect’s actions forced me to fire my duty weapon at the suspect to stop the threat. The suspect left me no other viable alternatives that would have been effective at stopping the threat to Officer Jones.”</p>
Deadly Force: Example C	<p><b>Describe</b> “I didn’t know which officer was in front of me. I only had time to react as everyone (the officer to my front, the driver of the fleeing vehicle, and myself) got out of our vehicles nearly simultaneously. I immediately saw the suspect point a silver object at the officer to my front. I could hear repeated “pop” sounds and saw whitish puffs of smoke emanate from the silver object. I witnessed this gunfire violence directed at my fellow officer.</p>

## Appendix E: Use of Force Report Guide

	<p><b>Identify</b> As fast as I could react I was forced to stop this ongoing threat with deadly force. There was absolutely no time to consider verbal commands. I feared the officer to my front was in imminent danger of great bodily harm or death as the result of hostile gunfire. I knew I was also in immediate danger of death or great bodily harm.</p> <p><b>Forced Actions</b> In order to obtain target acquisition I was forced to leave portions of my upper torso and head exposed. I had target isolation as I only had a grassy field beyond my target. Target identification was described above. I repeatedly fired at the suspect until his imminent threat ceased.”</p>
<p>Deadly Force: Example D</p>	<p><b>Describe</b> “Smith charged at me very quickly, rapidly closing the short distance between us. Based on this sudden assault I was unable to disengage, as his speed would easily overtake me if I turned around. I yelled at Smith, "Stop! Show me your hands!" Smith was closing fast and was approximately one-half car length away from me. His right hand was still concealed under his jacket and his right wrist was canted as if he was holding a straight object. The motion was consistent with the cross drawing of a weapon.</p> <p><b>Identify</b> Based on my training and experience, I believed that I was in imminent threat of death. Smith was within two steps of being able to stab me, clearly within the danger zone of a knife attack. There was no cover between us and I could not disengage to obtain cover. I believed that he had a knife and was preparing to stab me as he had just recently stabbed the victim. I based that on the fact that not only was he attempting to retrieve a knife, but was also closing the distance, which was required to complete his knife assault.</p> <p><b>Forced Actions</b> I was unable to disengage. I drew my firearm while stepping backwards. Smith actions forced me to shoot. I fired multiple shots at Smith to stop the threat he presented.”</p>
<p>Target Specific Directed Fire</p>	<p><b>Describe</b> “...a fourth shot ran out and hit something only a few feet away from where Officer Jones and I were standing in the garage. (I later learned this shot hit the garage door about two feet from where I was standing, and traveled past us and hit the truck parked behind us inside the garage.) At this time the residents of 17 W. Main St. were inside the house and were susceptible to being shot by gunfire from the residence at 16 W. Main St.</p> <p><b>Identify</b> Having saw debris come off whatever the bullet had hit, traveling from 16 W. Main St. towards Officer Jones, I became very fearful for my life and the lives of Officer Jones and Deputy Johnson.</p> <p><b>Forced Actions</b> Within a moment of the shot being fired, I stepped out from behind my cover just a little bit. I knew that Smith was the only person in the suspect residence, that Deputy Johnson saw the muzzle flash in the back bedroom window of 16 W. Main St., and that other officers on the inner perimeter had confirmed that other rounds had come out of that bedroom. I was forced to take a shot at where I believe Smith was firing at us from. I aimed my rifle and took a shot, trying to put it through the wall underneath the window, believing that Smith was either on the floor or behind this wall.”</p>

Note: The use of any force option is dependent on the officer's Tactical Evaluation of the situation that is based on Threat Assessment Opportunities, Officer(s)/Subject(s) Factors, and Special Circumstances.

**IV. Follow-thru Considerations**

- A Stabilization—Application of Restraints, if appropriate
- B Monitoring / Debriefing
- C Searching, if appropriate
- D Escorting, if necessary
- E Transportation, if necessary
- F Turnover—Remove Restraints, if necessary

**V. Investigative Findings**

- A Background Information
- B Medical / Psychological History
- C Booking Information
- D Post-booking Information
- E Other Information

THIS PAGE INTENTIONALLY LEFT BLANK

## APPENDIX F: GLOSSARY

**ABS:** Anti-lock braking system, computer-controlled braking system that prevents wheel lockup regardless of pedal pressure.

**ACCELERATION:** The rate of increased velocity with respect to time.

**ACTION TIME:** The period it takes the action to cycle through all the acts necessary to fire one round.

**ACTION:** The assembly of functional moving parts which makes the operation of a firearm possible; the mechanism used in the act of loading, firing, and unloading a firearm.

**ACTIVE LISTENING:** Using an effective method of hearing what people say in an attentive manner that uses both nonverbal and verbal behavior, and asking additional questions for clarification or more detail.

**ACTIVE RESISTANCE:** Behavior which physically counteracts an officer's control efforts and which creates a risk of bodily harm to the officer, subject, and/or other persons.

**ADVERSARY:** A person that opposes or attacks; in this context, a subject who is placing you in danger of great bodily injury or death by his or her actions.

**APEX:** The most critical part of a turn. It is the point on the inside of the turn at which a car finishes the entry phase and begins the exit phase. The car must be as balanced as possible and accelerating toward the exit point (see) when it "clips" the apex.

**APPROACH CONTACT:** A vehicle contact in which the officer approaches the driver of the subject vehicle.

**ARBITRATION:** A dispute resolution strategy (REACT) used with one non-compliant individual.

**ARMORER:** A person who has received special training, usually from a firearm manufacturer, to clean and maintain firearms according to factory specifications.

**ASSAULTIVE BEHAVIOR:** *Direct actions or conduct that generates bodily harm.*

**ATMOSPHERE:** Perception and environment surrounding the communication model.

**ATTENDING SKILLS:** A component of active listening that uses nonverbal communication to demonstrate attention to what people say.

**AUDITORY EXCLUSION:** A kind of stress-induced deafness that may occur as part of the fight or flight response to danger.

**B.A.C.:** Blood Alcohol Concentration

**BALANCED HAND POSITION:** A wide grip on the steering wheel, with hands approximately at the 9 o'clock and 3 o'clock position.

**BACK STRAP:** The rear metal portion of a handgun grip.

**BANKED PAVEMENT:** One side of the roadway is elevated, banked, or higher than the opposite side; normally exists on a curve.

**BARREL BUSHING:** The bushing in the front of the slide of an automatic pistol that holds the muzzle end of the barrel in place. (Note: Not all auto pistols have separate barrel bushings.)

**BARREL:** That part of a firearm through which the projectile is fired; a cylinder that also imparts spin on the projectile in flight by means of rifling in order to give it stability and direction.

**BARRIERS:** Barriers are obstacles to effective communication that can be physical, officer-generated, or interpersonal.

**BASIC CONTACT:** A model for law enforcement contacts with citizens.

**BATON:** A police impact weapon used to impede an adversary by striking parts of the body. Conventional batons are made of wood or plastic; expanding batons are constructed of a series of telescoping metal shafts.

**BODY CHECK:** A physical inspection for possible injury.

**BRACKETING:** The physical positioning of the contact officer and cover officer with respect to the subject and the situation.

**BRAKE FADE:** The loss of braking efficiency, normally due to heat buildup resulting from excessive use.

**BRAKE LOCKUP:** The application of brakes to the point that the wheels can no longer rotate.

**BRAKING DISTANCE:** The distance from application of brakes to slowing or stopping a vehicle.



**BRAKING, THRESHOLD:** The brakes are pressed firmly to a point just before lockup and held at that point, and the wheels never lose their rolling friction.

**BREACHING:** Forcing entry into a building.

**BREATH CONTROL:** To exercise proper control of the breath during the aiming and firing process, in such a manner as to minimize disturbance of sight alignment and sight picture. Breath control is important in precision shooting at long range, but is not a factor in close-range combat shooting.

**BUCKSHOT:** A type of shotgun load containing multiple round lead or steel projectiles that are launched simultaneously out of the barrel in a group called a "pattern."

**BULLET:** General term used to describe the projectile fired by a firearm.

**CALIBER:** The diameter of a projectile, such as a bullet; the diameter of the bore of a gun barrel. Caliber can be expressed in hundredths of an inch (.38) or in millimeters (9mm).

**CANT:** Tilting a pistol slightly off vertical, used to increase stability in unsupported shooting.

**CAPABILITY:** The ultimate limit of an individual's possible development as determined at a given time, assuming optimum environment and training from that time onward.

**CARTRIDGE CASE:** A case (usually of brass, but sometimes of aluminum or steel) which holds the propellant charge and the means of ignition (the primer). The bullet is seated in the open end of the cartridge case.

**CENTRAL NERVOUS SYSTEM:** In a human being, the system of neurons, neurochemicals, and allied structures involved in receiving sensory stimuli, generating and coordinating responses, and controlling bodily activities; includes the brain and spinal column.

**CENTRIFUGAL FORCE:** The force on a body in a curved motion that is directed away from the axis of rotation. A force which acts or impels an object away from the center of rotation.

**CENTRIPETAL FORCE:** The force on a body in a curved motion that is directed toward the center axis of rotation. The force required for keeping a moving mass in a circular path. A force which acts or impels an object toward a center of rotation.

**CHAMBER:** That inner portion of the gun barrel at the breech into which the cartridge is placed for firing, or, in the case of a revolver, the holes in the cylinder

that contain the cartridges. Also, the act of inserting a round of ammunition into the chamber: “to chamber a round.”

**CLOSE COMBAT:** Engaging a target within a distance of 0-3 yards. When firing at such close ranges, a modified position is used to minimize the possibility that the adversary will be able to disarm the officer.

**COMBAT DISTANCE:** Within 12 yards distance. Within such range a shooter can get hits on target using only the front sight.

**CONCENTRATION:** The will to command the mind to obey.

**CONDITIONED RESPONSE:** An automatic response to a given situation. Conditioned Response can ONLY be achieved by constant and repetitive practice. Conditioned Response is only desirable if that response is correct for the situation by which it is triggered.

**CONTINUED RESISTANCE:** Maintaining a level of counteractive behavior that is not controlled by an officer’s current efforts

**CONTROLLED BRAKING:** This term refers to slowing down a vehicle as rapidly as possible without locking the wheels. Using this method of braking, vehicles will still respond to steering inputs.

**COUNTERMEASURE:** An opposing measure, taken in response to the actions of another.

**COME FULL CIRCLE:** Concept integrating verbalization and physical intervention.

**COMMUNICATION MODEL:** A process in which a message moves from sender to receiver.

**CONGRUENCE** The message received is the same as the message sent.

**CONTACT/COVER:** The contact officer’s primary responsibility is to talk to the subject contacted. The cover officer observes the contact from a position of tactical advantage and intervenes when necessary to prevent escape, destruction of evidence, or assault on the contact officer.

**CONTACTS:** People to interact with.

**CONTINGENCY PLAN:** A plan made at a scene, describing what officers will do if the suspect starts shooting, begins a countdown, releases hostages, surrenders, etc.

**CONTROL PROCESS:** Achieving control of a contact or situation through presence and dialogue, or, if necessary, through physical intervention.

**CONTROL:** The purpose of an officer's use of Defensive and Arrest Tactics is control.

**COOPERATIVE SUBJECT:** A non-resistive subject who is controlled by the use of verbal direction.

**COUNTER-STEER:** Turning the front wheels to counter the effects of a previous turning movement or of a skid, to put the vehicle on its intended course of travel.

**COVER:** Anything that will stop a particular threat. Skillful use of available cover is more important to your survival in a gunfight than is skillful shooting.

**CRASH:** That occurrence in a sequence of events that usually produces unintended injury, death, or property damage.

**CRISIS INTERVENTION:** A method of contacting and intervening with irrational persons.

**CRITICAL MALFUNCTION:** A malfunction that the shooter cannot clear in the field and that may require the services of an armorer or gunsmith.

**CYCLE OF OPERATION:** The series of mechanical operations necessary to cause a weapon to fire one round and to return to a state of readiness.

**CYLINDER:** Component of a revolver that carries the individual chambers. It is held behind the barrel on an axis pin (also called the “yoke” or “crane”) and is revolved by a mechanical link to the hammer or trigger so as to present successive chambers to be fired in sequence.

**CYLINDER RELEASE:** Also called a “Thumbpiece,” it is the lever or button manipulated to allow the cylinder to swing free of the frame of the revolver to allow loading and unloading and the extraction of fired cartridge cases.

**DAAT:** A system of verbalization coupled with physical alternatives for Wisconsin law enforcement.

**DANGER ZONES:** Distances at which an officer is subject to an attack.

**DEADLY FORCE:** The intentional use of a firearm or other instrument that creates a high probability of death or great bodily harm.

**DEADLY FORCE REACTIONS:** Determining if a threat is so serious that the only appropriate response capable of immediately stopping it is the use of deadly force.

**DEBRIEFING:** The procedure used after the use of force or a critical incident to apply closure, treatment, and/or evaluation. Also a technique used to calm self, partner, and the subject.

**DECELERATION:** The rate of change of velocity with respect to time. The slowing down of a body.

**DECOCK:** A mechanical procedure whereby a cocked hammer is safely lowered to the rest position without contacting the firing pin and accomplished by the activation of a decocking lever or switch without touching the trigger.

**DE-ESCALATE:** To decrease in intensity, to select another, less extreme alternative.

**DEFENSIVE DRIVING:** Operating a vehicle in such a manner as to be able to avoid involvement in a preventable crash, no matter what the road and weather conditions. Synonymous with precision driving.

**DEFENSIVE AND ARREST TACTICS:** A training program for law enforcement that is a system of verbalization skills coupled with physical alternatives.

**DEFLECT:** Redirect a person's attention from his or her agenda using verbalization.

**DELIVERY SYSTEM:** In this context, the capacity for use of a weapon.

**DIM-LIGHT SHOOTING:** Shooting in low light conditions where it is not possible for the shooter to see the sights of the weapon; it may be so dark that the shooter needs artificial illumination as an aid to target identification.

**DIRECTED FIRE:** Shooting using the front sight.

**DISENGAGE:** To remove oneself from a situation; to cease involvement in a course of action.

**DISTURBANCE RESOLUTION:** A higher level of verbal control than a basic contact. Examples are arbitration and mediation, which are used to defuse dangerous situations. Also, the conceptual model for officer's use of intervention options.

**D.O.N.E.:** An acronym describing the conditions under which disengagement and/or escalation to physical force would be appropriate.

**DOOR OPENERS:** Comments that encourage dialogue.

**DOUBLE ACTION:** A pistol firing mechanism which permits firing in either of two ways; either by manually cocking the hammer and then releasing it by trigger pressure, or by pulling through on the trigger so as to cock and release the hammer.

**DRY FIRE:** A method of practicing the fundamentals of marksmanship that does not involve the use of live ammunition. Dry Fire is a good way to develop trigger control and sight alignment and sight picture. It is also possible to practice reloading and clearing malfunctions in this way.

**DUE REGARD:** Phrase implying that a reasonably careful person, performing similar duties and acting under similar circumstances, would act in the same manner.

**DYSFUNCTION:** Temporary disruption of the subject's ability to resist or attack.

**EAR PROTECTION:** Any type of headphones or earplugs worn to protect the ears and hearing from the effect of loud gunfire.

**EARLY WARNING SIGNS:** Signals or certain behaviors provided by the subject that are often associated with a high level of danger to officers.

**ECD:** Electronic control device.

**EJECTION PORT:** The opening in the top of the slide of an automatic pistol out of which the empty case is ejected.

**EJECTOR:** A component of a weapon that tips the spent cartridge case out of the ejection port after it has been extracted from the chamber.

**ELEVATION:** The vertical component of a sighting system, *i.e.*, the up or down movement of a sight that changes the bullet's point of impact vertically.

**EDGED WEAPONS:** Any item that by design or demonstrated use is capable of causing injury by stabbing, cutting, or slashing.

**EMPATHY:** To have understanding of and identify with another's situation and feelings.

**EMERGENCY DRIVING:** A response to a situation that is life threatening or that involves an extreme property loss; justifies the legal use of an emergency warning device.

**ESCALATE/DE-ESCALATE:** To increase/decrease the intensity or move to a higher/lower level of force or control.

**EVASIVE ACTION:** Any action taken by a driver to avoid a hazardous situation; steering, braking, or accelerating to avoid a collision or other crash.

**EVOC:** An acronym for Emergency Vehicle Operation Course.

**EXIT POINT:** The point in a turn, typically at the far outside edge of the roadway, at which the car has completed the turning maneuver and all the dynamic forces acting on the car are in balance.

**EXTRACTOR:** In an automatic pistol, a claw-like device that removes the cartridge case from the chamber of a weapon and presents it to the ejector.

**FATAL FUNNEL:** Any congestion point that officers must traverse while exposed to a wider threat area.

**FEEDING:** The process of driving live cartridges from the magazine into the path of the bolt or slide prior to chambering.

**FEED RAMP:** The slanted metal surface at the rear of a barrel that guides cartridges into the chamber during feeding.

**FIGHT-OR-FLIGHT FALLACY:** An officer-generated barrier that provides only two options of behavior for a contacted individual.

**FIELD STRIP:** To disassemble the major components of a firearm for cleaning, lubrication, and inspection. Unless you are a trained armorer, you should never disassemble a firearm past the point listed in the owner's manual.

**FIREARM:** A weapon in which a projectile is launched as a result of chemical combustion. Usually used to describe "small arms," those weapons such as handguns, rifles, or shotguns that can be easily operated by one person.

**FLASHLIGHT-ASSISTED SHOOTING:** In dim light or darkness means the use of a flashlight as an aid to illuminating the target.

**FLOOR PLATE:** The base or bottom of a magazine, usually capable of being detached for cleaning.

**FOLLOWER:** That part of the magazine that rides on top of the spring on which the cartridges rest for feeding into the chamber.

**FOLLOWING SKILLS:** A component of Active Listening that uses verbal techniques to encourage a person to continue talking and provide additional information.

**FOLLOW-THROUGH:** To pursue fully and to carry an act to completion. When all of the integrated elements of firing a shot are maintained until the shot strikes

the target, such as stance, sight alignment and sight picture, trigger control and breath control. Also, the third major part of Disturbance Resolution.

**FORCE:** That which changes the state of rest or motion of matter, measured by the rate of change of momentum. Mass times acceleration.

**FOULING:** The accumulation of a deposit within the bore and mechanism of a firearm caused by unburned powder and byproducts of combustion remaining after the cartridge has been fired.

**FRICTION:** Resistance to any force trying to produce motion; constantly present and always working opposite the direction in which an object is being moved. A force of resistance acting on a body which prevents or inhibits any possible slipping of the body.

**FRONT-END SWING:** The movement of the front end in the opposite direction of the steering input when backing up.

**FUNCTION CHECK:** An inspection and test of the mechanical operations of a weapon, conducted after cleaning or repair, to verify that the weapon is serviceable.

**FUNCTIONAL CHARACTERISTICS:** The method of operation of a weapon, to include the cycle of operation and the manipulation of external controls such as the trigger or magazine release.

**FUNDAMENTALS OF MARKSMANSHIP:** Basic skills necessary to the proper accomplishment of the integrating act of shooting, to include stance or position, grip, trigger control, sight alignment, sight picture, breath control, and follow-through.

**GAUGE:** The diameter of the bore of a shotgun, expressed in the number of lead balls of that diameter required to make a pound. A "12-gauge" shotgun is one with a diameter of such size that twelve balls of lead, each fitting the bore, weigh one pound.

**GREAT BODILY HARM:** (§ 939.22(14), Wis. Stats.) Means bodily injury which creates a substantial risk of death or which causes serious permanent disfigurement, or which causes a permanent or protracted loss or impairment of the function of any bodily member or organ or other serious bodily injury.

**GREATER DANGER EXCEPTION:** The greater danger exception allows you to shoot without target isolation if the consequence of not stopping the threat would be worse than the possibility of hitting an innocent person.

**GRIP:** The method of placing the hands upon the firearm. GRIPS (stocks) are the portion of the firearm held in the hand.

**GROOVES:** The spiral cuts in the bore of a weapon that form the rifling and affect spin on the bullet. The uncut portions between grooves are the “lands.” The type of weapon, ammunition, and designer preferences influence the number and form of the grooves.

**GROUP:** A group of shots on a target which shows a pattern with respect to the point of aim.

**HAMMER:** The mechanism that strikes the firing pin in a firearm; a rotating element, driven by the mainspring, which imparts the firing impetus to the firing pin, the latter which may be part of the hammer or separate.

**HANDCUFF GROOVE:** Proper location for placement of handcuffs.

**HANDCUFFS:** Temporary restraining device.

**HANDLING:** A vehicle’s ability to quickly and accurately respond to a driver’s command with no or minimal negative reaction and the ability to compensate for sudden irregularities in road or wind conditions.

**HANGFIRE:** An ignition failure in a cartridge that results in a delay before the charge fires. Caused by faulty ammunition—frequently by a primer contaminated by cleaning solvent or penetrating oils.

**HIGH-RISK VEHICLE CONTACT:** A vehicle contact in which the officers' perception of danger is very high. Typically, these contacts involve multiple officers, ordering of vehicle occupants out one at a time, etc.

**HOT BUTTONS:** Actions, remarks, insults, or challenges that provoke an emotional and less than professional response from an officer (officer-generated barrier).

**HYDROPLANING:** Tires ride upon the water causing loss of contact with the surface of the road. Contributing factors are water depth, tire pressure, and vehicle speed.

**IMMEDIATE ACTION:** The action taken by the shooter as rapidly as possible to correct a malfunction without taking the time to analyze the cause.

**IMMEDIATE COVER:** Objects that can shield you from hostile fire and that are accessible in time of emergency. Another term for this would be “available cover.”

**IMMINENT THREAT:** An impending likelihood of trouble; in this context, “Imminent Threat” of death or great bodily harm to you or another is a justification for the use of deadly force.



**IMPACT WEAPON:** (Baton) Weapon whose force is manifested by blunt force caused by striking.

**IN-BATTERY:** The position of the barrel of a weapon when it is ready to fire. An “in-battery reload” of an auto pistol is one where a round is in the chamber, the slide is forward, and the magazine is removed and exchanged for a fully loaded one.

**INCIDENT RESPONSE:** A model of systematic approach for proper police action (RESPOND).

**INERTIA FORCE:** The tendency of a body to resist acceleration; the tendency of a body at rest to remain at rest or a body in motion to stay in motion in a straight line unless disturbed by an external force.

**INITIAL APPROACH:** Considerations of an officer before making contact.

**INTENT:** The act or fact of intending, as to do something; intent is a necessary element in most crimes.

**INTERVENTION OPTIONS:** An element of Disturbance Resolution in DAAT containing five modes in which an officer can intervene with a subject.

**INVISIBLE DEPLOYMENT:** Remaining out-of-sight or undetected by the perpetrator while establishing a perimeter or preparing to confront the suspect.

**JACKET:** The metal covering over the lead core of the bullet, found in ball and hollow point ammunition.

**KINETIC ENERGY:** The energy possessed by a body in motion. Kinetic energy =  $\frac{1}{2}$  mass x velocity<sup>2</sup>.

**LANDS:** The interior surface of a gun barrel between the grooves.

**LATERAL MOVEMENT:** Movement side to side; in this context, usually a quick move to one side or another to take advantage of available cover.

**LEAD FOULING:** A deposit of lead left in the rifling grooves of a firearm after prolonged firing of lead bullets. Eventually has a detrimental effect upon accuracy if not removed, and is the reason for the adoption of jacketed compound bullets.

**LEAPFROGGING:** A movement technique where officers alternate moving and covering the moving officer.

**LIABILITY:** Direct civil is the liability that is imposed upon a person for causing injury to another through negligent or willful misconduct. Vicarious civil is the

liability that is imposed upon one who is without personal fault or complicity because of the relationship that person bears towards the person who actually performed the wrongful act or omission.

**LOAD:** To place ammunition into the chamber of a gun.

**LOOK-SHOOT:** A technique for traverse fire on multiple targets, where the shooter engages the first target, looks to visually locate the second target, and then swings the weapon to fire on the second target. The “Look-Shoot” technique prevents an officer from “over-running” the target when traversing.

**MAGAZINE:** That part of a gun or firearm that holds ammunition ready for chambering.

**MAGAZINE DISCONNECT SAFETY:** A safety device on some semi-auto firearms: a linkage that disconnects the trigger mechanism when the magazine is removed, preventing fire even when a round is chambered.

**MAGAZINE RELEASE:** A button or switch depressed or moved in order to remove the magazine from the weapon.

**MAGAZINE WELL:** That opening in the receiver of a rifle or in the grip of an auto pistol where the magazine is inserted.

**MAINSRING:** That spring which furnishes energy to the hammer or striker.

**MALFUNCTION:** Any mechanical interruption in the cycle of operation of a weapon, which may or may not keep it from firing.

**MASTER EYE:** Also, “Dominant Eye,” is the eye that takes control during binocular vision (both eyes open). Most people have the master eye on the same side as their master hand. Some individuals are “cross dominant” meaning that the master eye is on the opposite side from their master hand.

**MEDIATION:** A conflict resolution strategy to assist disputants in voluntarily reaching a mutually acceptable decision.

**MENTAL CONDITIONING:** The preparation of the driver to deal with the psychological, physiological, and environmental conditions that may be encountered while operating a motor vehicle.

**METERING:** Also known as “slicing the pie.” Taking small views of a potential threat area to locate suspects while limiting your own exposure; performed during a “Threshold Evaluation” and at other times.

**MUTUAL AID:** Upon the request of any law enforcement agency, personnel from another law enforcement agency may assist the requesting agency within their

jurisdiction and upon that request the assisting officer shall have full police powers within the requesting jurisdiction, including all protections for the officer such as worker's compensation.

**MUZZLE:** The end of the barrel of a gun from which the bullet or projectile emerges.

**MUZZLE BLAST:** Sudden air pressure exerted at the muzzle of a weapon by the rush of hot propellant gases and air upon firing.

**MUZZLE VELOCITY:** The speed of a bullet, relative to the gun, at the instant it leaves the muzzle. Usually expressed in feet per second (fps).

**MUZZLE WHIP:** The tendency of the muzzle to climb in recoil.

**MOMENTUM:** The product of a body's mass times velocity. An amount of motion; it is the property of a moving body which determines the length of time required to bring it to a rest.

**NEGLIGENCE:** For civil litigation in some states, it is the failure of a law enforcement officer to conform his or her conduct to the standard of a reasonable law enforcement officer under the same or similar circumstances.

**NEWTON'S FIRST LAW OF MOTION:** Every body continues in its state of rest or of uniform motion in a straight line unless acted upon by another force.

**NEWTON'S SECOND LAW OF MOTION:** A change of motion is proportional to force applied and takes place in the direction of the line of action of the force.

**NEWTON'S THIRD LAW OF MOTION:** To every action there is always an equal and opposite reaction.

**NOMENCLATURE:** A set or system of names or symbols given to items of equipment as a means of classification and identification.

**NON-APPROACH VEHICLE CONTACT:** A vehicle contact in which the officer does not approach the subject vehicle, because of an increased perception of threat. The officer may order the driver out of the vehicle or wait for backup before making contact.

**NON-CRITICAL MALFUNCTION:** A malfunction that the shooter can clear in the field without assistance.

**NON-EMERGENCY DRIVING:** All operations of a vehicle in other than an emergency or pursuit mode, as defined herein.

**OBJECTIVELY REASONABLE:** The standard by which many actions of a police officer are judged: Would your actions be judged appropriate by a reasonable person based on the totality of circumstances and the information known to you at that time?

**OFFICER/SUBJECT FACTORS:** Some of the criterion used in evaluating a subject and selecting the appropriate response option. How officer(s) “match up” to the subject, how many officers are there compared to the number of subjects, as well as age, size, relative strength, and skill.

**OUT-OF-BATTERY:** When the action of the weapon is open and the gun is unable to fire.

**OVERSTEER:** The characteristic of a vehicle to tighten its turning radius as the rear end slips to the outside of the curve. This is normally caused by too much steering input by the driver.

**PANIC BRAKING:** Loss of vehicular control due to driver-induced sudden locking of all wheels.

**PARASYMPATHETIC NERVOUS SYSTEM:** That component of the nervous system that controls the functions of the body under normal, non-stressful conditions.

**PASSIVE RESISTANCE:** Non-compliant and non-threatening behavior.

**PERCEPTION:** (1) Awareness of objects and other data through the medium of the senses, and (2) having insight or intuition as an abstract quality.

**PERIMETER:** Formed when officers surround a location to prevent the escape of a suspect and/or contain the threat posed by the suspect.

**PERSONAL DISTANCE:** Within 10 feet distance from a subject.

**PHYSICAL FORCE:** Intervention using bodily activity or equipment.

**PHYSICAL INTERVENTION:** To establish and maintain control with the use of specific psychomotor skills.

**PINCER GRIP:** Encircling with the thumb and middle finger.

**PISTOL:** A handgun using the energy of a discharged cartridge to eject the fired cartridge and load a live cartridge into the chamber while recocking the action.

**POINT OF AIM:** That place on the target the shot is intended to go; at the top of the front sight if proper alignment between the front and rear sights is obtained.

**POLICE JARGON:** Specialized or technical language of the law enforcement/criminal justice profession.

**POP:** "Provoke Other People"; an officer-generated barrier.

**POSITION OF ADVANTAGE:** Provides the officer the ability to escalate force in order to maintain control.

**POWDER:** A slang term for gunpowder.

**PRE-ATTACK POSTURES:** Behaviors that may indicate imminent danger of physical assault.

**PRECLUSION:** The officer reasonably believes all other options have been exhausted or would be ineffective.

**PRESENCE:** A person's bearing which appears self-assured and effective and commands respectful attention.

**PRESUMED COMPLIANCE:** An officer-generated barrier exhibited by officer complacency when dealing with human behavior.

**PRIMARY THREAT:** The adversary armed with the most dangerous weapon or the one immediately capable of inflicting great bodily harm or death.

**PRIMER:** The sensitive component in the base of the cartridge that when struck by the firing pin explodes and ignites the propellant charge in the cartridge case.

**PRIVILEGE:** Section 939.45, Wis. Stats., states certain conduct is defensible from prosecution under certain circumstances. The defense of privilege can be claimed: conduct is in defense of persons or property, conduct is in good faith, and conduct is a reasonable accomplishment of a lawful arrest.

**PROFESSIONAL:** An individual that exhibits behavior and traits expected within their profession.

**PROJECTILE:** An object, such as a bullet, projected by an applied exterior force and continuing in motion by its own inertia.

**PROXEMICS:** The relationship of distance and relative positioning.

**PSYCHOMOTOR:** Of or pertaining to a response involving both the brain and motor activity.

**PUBLIC EYE/PUBLIC RECORDS:** Revealed to or open to knowledge or judgment of community.

**PURSUIT:** An event involving a peace officer attempting to apprehend a person in a motor vehicle while that person is trying to avoid capture by willfully failing to yield to the officer's signal to stop. It also includes the catching or closing the distance between a police vehicle and the violator's vehicle under circumstances where the person is not yet aware of the police action.

**RANGE:** A prescribed area where weapon firing is conducted.

**REACTION TIME:** The amount of time it takes for a person to react to a particular stimulus. Fatigue and use of drugs or alcohol may affect reaction time. The total length of time it takes for the brain to receive the information from the senses, make a decision, transmit the decision to the appropriate muscles, and for the muscles to respond.

**R.E.A.C.T.:** A systematic dispute resolution strategy (see arbitration).

**REACTION SIDE:** Non-firearm side.

**RECEIVER:** The basic unit of a firearm that the barrel and other components are attached. (Also referred to as the "frame.")

**RECOIL:** The backward movement of a firearm caused by the pressure of the propellant gases pushing against the bullet being propelled forward when the firearm is discharged.

**RECOIL SPRING:** A spring in a semi-automatic weapon which cushions the rearward movement of the slide or bolt and returns it to the forward position; the spring that returns the action into battery after the discharge of a chambered round.

**RECOIL SPRING GUIDE ROD:** A rod the recoil spring rides on to prevent kinking. Not all auto pistols have recoil spring guide rods.

**RECOVERY:** A procedure to follow after drawing your weapon that allows you to: evaluate the threat, look around to check the environment for adversaries, break tunnel vision, decock if needed and remove your finger from the trigger guard prior to reholstering.

**RESISTIVE TENSION:** Level of agitation in a subject's body.

**R.E.S.P.O.N.D.:** A systematic seven-step response for law enforcement to an incident.

**RESPONDING SKILLS:** A component of Active Listening using verbal skills to illustrate understanding of what people are expressing and feeling.

**REVOLVER:** A handgun having a rotating cylinder carrying several rounds of ammunition, each round being in a chamber that comes into alignment with the barrel before the round is fired.

**RIFLED SLUG:** A slug (see) with rifling grooves to stabilize the trajectory.

**RIFLING:** Spiral grooves cut into the interior of a gun barrel to spin the bullet and impart gyroscopic stabilization to it. The degree of twist of the rifling depends upon the weight and length of the bullet fired from the weapon.

**ROLLOVER PRONE:** A modified prone position that results in greater shooter comfort and accuracy at extended ranges; also maximizes the use of available cover.

**SAFETY:** (1) The state of being safe from threat, personal injury, and danger or loss, and (2) any device or mechanism that locks or blocks the trigger or hammer so that a firearm cannot be discharged.

**SEAR:** Part of the firing mechanism of a weapon, linked to the trigger, which engages on the striker, firing pin, hammer or bolt, and is withdrawn from engagement to fire the weapon.

**SELF-DEFENSE:** The act of defending one's person by physical force (§ 939.48, Wis. Stats.). *"The actor may intentionally use only such force or threat thereof as he or she reasonably believes is necessary to prevent or terminate the interference. He or she may not intentionally use force which is intended or likely to cause death or great bodily harm unless he or she reasonably believes that such force is necessary to prevent imminent death or great bodily harm to him- or herself or another."*

**SHOULDER SHIFT:** Pre-attack posture.

**SIGHT:** A device on a firearm to view the target and give proper direction to the projectile.

**SIGHT ALIGNMENT:** The relationship of the front and rear sights with each other. An ideal sight alignment has the top of the front sight level with the top of the rear sight and the front sight is evenly centered in the rear sight notch.

**SIGHT PICTURE:** The relationship between sight alignment and the target.

**SIGHTING IN:** The adjustment of a weapon sight so that the bullet will strike the point of aim at some specified distance.

**SILENT EMERGENCY:** An emergency situation in which police do not use a siren or other audible signal in response to a crime.

**SINGLE ACTION:** A mode of firing in which the hammer is manually cocked and then released by trigger pressure.

**SKID:** Loss of traction between the tire surface and the road surface. *Cornering skid* is the loss of traction in negotiating a curve or a turn at a speed faster than can be sustained by the tire-road cornering traction limits. *Power skid* is the loss of traction when excessive power is applied, causing the drive wheels to spin and no longer provide traction. A *secondary skid* is one in the opposite direction of the original skid.

**SLIDE:** In automatic pistols, the device which positions the barrel, acts as the breech, and slides back and forth on the frame or receiver.

**SLIDE STOP:** A lever on an automatic pistol that holds the slide open, usually after the last round has been fired. Allows the slide to go forward when depressed. Sometimes called a "Slide Release" or "Slide Catch" or "Slide Lock."

**SLUG:** A single ball projectile, weighing between 7/8 and 1-1/4 ounce, used in shotguns when the situation requires better long range accuracy and/or penetration ability than is possible with a multiple projectile load like buckshot.

**SPACE CUSHION:** The open area surrounding a vehicle while it is in motion, or an "escape route" to the front, rear, and sides.

**SPACE MANAGEMENT:** The driver selection of the best speed control, path of travel, or communication technique to maximize control of the space surrounding the vehicle.

**SPECIAL CIRCUMSTANCES:** Factors or situation that may justify rapid escalation of force or selection of higher force options.

**STEP SLIDE:** A movement technique used to minimize the possibility of stumbling or tripping over your own feet.

**STOPPAGE:** Any unintentional interruption in the cycle of operation.

**STRONG SIDE:** Firearm side.

**SUBJECT DEBRIEFING:** A procedure to calm and attend to an individual after the use of physical intervention.

**SYMPATHETIC NERVOUS SYSTEM:** The component of the nervous system that controls the functions of the body under conditions of great stress or danger and that regulates the involuntary reactions to stress.

**TANG:** The curved portion at the top of the back strap of an automatic pistol that sweeps back over the web of the firing hand.



**TARGET ACQUISITION:** The process of locating your adversary.

**TARGET ASSESSMENT:** Analyzing the situation and choosing the proper response option.

**TARGET IDENTIFICATION:** The process of identifying the subject as the adversary that is placing you and/or others in “imminent danger.”

**TARGET ISOLATION:** The process of separating the subject from innocent persons.

**TARGET SPECIFIC DIRECTED FIRE:** Purposeful, controlled, sustained fire directed at a perpetrator who has caused or imminently threatens to cause death or great bodily harm to you or others, but whom you may not be able to clearly observe.

**TEAM TACTICS:** Unity of effort between two or more officers attempting to control a subject.

**THRESHOLD BRAKING:** The technique of applying brake pedal pressure just to the point of lockup (the threshold) and maintaining the pressure at that point. Generates maximum braking power and maintains steerability.

**THRESHOLD EVALUATION:** The use of “metering” through a doorway or other funnel, to assess the area beyond the threshold.

**TOTALITY OF THE CIRCUMSTANCES:** Represents all information known to the officer at the moment action is taken and the facts used to judge the appropriateness of the action.

**TRAIL BRAKING:** The technique of gradually reducing brake pressure after the car has begun to turn into the corner.

**TRAINING AND EXPERIENCE:** The sum total of an officer’s life experiences and training.

**TRAVERSE FIRE:** The process of engaging multiple targets using the “Look-Shoot” technique.

**TRIGGER:** The mechanism that is actuated by the finger and that releases the hammer or firing pin.

**TRIGGER CONTROL:** The ability to pull the trigger smoothly without disturbing the proper alignment of the sights.

**TRIGGER GUARD:** A curved piece of metal, attached to the frame, which surrounds and protects the trigger.

**TRIGGER LOCK:** A safety device that fits over the trigger guard and immobilizes and prevents access to the trigger. It is a good safety device for firearms storage.

**TRUE EMERGENCY:** A situation in which there is a high probability of death or serious injury to an individual, or significant property loss, and action by an emergency vehicle operator may reduce the seriousness of the situation.

**TUNNEL VISION:** A narrow arc of vision an individual experiences under stress. The lens of the eye flattens to give sharper vision, but this cuts down on peripheral vision. (Peripheral vision is a wide arc of vision that allows a person to see objects to the right and left of center.) To avoid this, you have to consciously look around during a confrontation to avoid visually “locking in” on one adversary and missing others that may present a threat.

**TURN-IN POINT:** The spot at the entrance of a turn at which the driver first turns the steering wheel to initiate the cornering sequence.

**UNCOOPERATIVE SUBJECT:** A person who will not comply with verbal direction.

**UNIFIED TACTICAL TRAINING:** Wisconsin’s integrated system of training in verbal and physical skills and concepts.

**UNLOAD:** To remove the round from the chamber and/or remove the magazine.

**UNSUPPORTED SHOOTING:** Firing with only one hand.

**UNWANTED DISCHARGE:** An unintended firing of a weapon caused by error or carelessness on the part of the operator and not attributable to a mechanical malfunction or breakage.

**VEHICLE CONTROL:** Developing an understanding of the principles and developing the proficiency pertaining to the successful operation of vehicles under all driving conditions.

**VEHICLE DYNAMICS:** Any force or condition that effects the path of a vehicle in motion.

**VEHICLE, MARKED:** An authorized emergency vehicle equipped with an emergency roof light or emergency lights mounted in the grill area, or the front or rear window areas; a siren; and police agency identification decals. An unmarked vehicle may or may not be equipped with concealed emergency lights and siren, and has no visible indicators that it is a law enforcement vehicle.

**VERBAL CONTROL:** Directions issued by the officer to command the adversary what to do.

**VERBAL STUN:** A short, very loud, shouted verbal command that serves as a warning and may impede the subject's neuro-muscular function.

**VERBAL WARNING:** A clear command, followed by a contingency, which is a statement of your intended actions if your order is not obeyed.

**VERTICAL STUN:** Create dysfunction by directing the subject into a vertical surface (e.g., a wall).

**VISUALIZATION:** A process of mental rehearsal similar to directed daydreaming. In visualization, the officer imagines realistic situations that might occur and how he/she might best respond to them.

**VOLUNTARY COMPLIANCE:** Willingly submitting or yielding.

**WARNING SIGNS OF DANGER:** Your reaction in a tactical situation depends on your perception of warning signs such as the subject's sudden escalation of anger or the subject's suddenly reaching for or drawing a weapon.

**WEAPON:** Any instrument or device used for attack or defense in a fight or in combat.

**WEAVER STANCE:** A shooting position invented by Jack Weaver in 1959. The stance offers good recoil control, a stable firing platform, and mobility and flexibility in application. Components: reaction side forward, strong side back, knees slightly bent, support elbow flexed and pointing down, strong elbow locked or slightly bent, strong arm pushing out slightly, support arm pulling back slightly.

**WEIGHT TRANSFER (vehicle):** The shift in the distribution of weight on the four tires caused by a change in the car's status. The transfer of weight to the front, rear, or either side caused by acceleration, deceleration, or turning.

**WHEELBASE:** The distance from the center of the front wheels to the center of the rear wheels.

# END NOTES

---

<sup>i</sup> Wis. Stat. [§939.45\(4\)](#)

<sup>ii</sup> Wis. Stat. [§939.48\(5\)](#)

<sup>iii</sup> Wis. Stat. [§939.49\(1\)](#)

<sup>iv</sup> Wis. Stat. [§66.0511\(2\)](#)

<sup>v</sup> “A person is privileged to defend a 3rd person from real or apparent unlawful interference by another under the same conditions and by the same means as those under and by which the person is privileged to defend himself or herself from real or apparent unlawful interference, provided that the person reasonably believes that the facts are such that the 3rd person would be privileged to act in self-defense and that the person's intervention is necessary for the protection of the 3rd person.”

<sup>vi</sup> The Seventh Circuit Court of Appeals said, “Because we as Americans respect the dignity of human life, the firing of a weapon must never become an automatic response to the law enforcement officer when attempting to capture a fleeing felon. Law enforcement officers must never forget that their decision to use a weapon must be reasonable given the totality of the facts and circumstances known to them at the critical moment the decision is made to use deadly force.” *Ford v. Childers*, 855 F.2d 1271, Seventh Circuit U.S. Court of Appeals (1988)

<sup>vii</sup> [Criminal Law Handbook for Wisconsin Law Enforcement](#), p. 9. Wis. Dept. of Justice, 2016.

<sup>viii</sup> <https://www.law.cornell.edu/supremecourt/text/392/1>

<sup>ix</sup> <http://caselaw.findlaw.com/us-supreme-court/490/386.html>

<sup>x</sup> <http://caselaw.findlaw.com/us-supreme-court/471/1.html>